



PIONEER ON THE RADIATOR MARKET

Stelrad is one of the absolute pioneers of the European radiator market. The first steel panel radiator rolled out of the production line back in 1960. Today Stelrad is still one of the leaders of the European radiator market. We owe this position at the top to our employees daily drive in developing and making radiators compliant to the high expectations of the modern European consumer. Thanks to the in-house developed ECO-technology, Stelrad produces the most energy saving radiators on the market.

The high quality standards that applied to the first steel panel radiators in the Sixties are still carried out for the thousands of radiators that leave our factories each day. The technologies behind them however have undergone many evolutions. We serve our customers through a widespread and international distribution network of wholesale businesses in heating and sanitary fittings.

EXCLUSIVE DESIGNER RADIATORS

Initially Stelrad limited itself to producing extremely sturdy steel panel radiators as the standard for each home. The product family has since expanded and most models are now available in over 200 colours.

In addition to the extremely functional radiators, Stelrad has developed exclusive designer radiators. These radiators offer extra character to every interior, without taking away from the heat comfort. Stelrad designer radiators bring together design and functionality.

HEAT = VALUABLE

Valuable because there is no comfort or cosiness without heat, but also valuable because heat should be cherished as a scarce resource. Stelrad's R&D department has been working tirelessly to make radiators more energy efficient.

With the development of ECO technology, Stelrad launched the first energy saving radiator that will repay itself in the long run. Meanwhile we apply this technology to different decorative models. With our ECO radiators we guarantee the desired heat comfort and a decrease in energy consumption, and consequently in the energy bill. A win-win situation for you and the environment!



SUSTAINABLE, GREEN HEAT

Stelrad will make every effort to reduce even more energy consumption of our radiators in the future, without compromising the quality and comfort of the heat. The ultimate combination of comfort and durability, that's what Stelrad stands for.

PART OF AN INTERNATIONAL GROUP

Since 1996 Stelrad has been part of the Stelrad Radiator Group (SRG). Anchoring in a European group gives us the needed basis and power to consolidate and further strengthen our European position.

CONTENT

VENTO RANGE



| | |
|---------------------|---|
| Planar VENTO | 6 |
| Compact VENTO | 8 |

ECO RANGE



| | |
|-------------------|----|
| Novello ECO | 12 |
| Hygiene ECO | 16 |

DESIGN RANGE



| | |
|----------------------|----|
| Column | 20 |
| Horta Vertical | 22 |
| Almada | 23 |
| Gilia Single | 24 |
| Gilia Double | 25 |

DECO RANGE



| | |
|--|----|
| Planar Slim ECO | 26 |
| Planar ECO | 28 |
| Planar Style ECO | 32 |
| Planar 8 | 36 |
| Planar Style 8 | 40 |
| Hygiene Planar 8 | 44 |
| Planar | 48 |
| Compact Planar | 52 |
| Compact Style | 56 |
| Planar Plinth | 60 |
| Planar Style Plinth | 61 |
| Planar Plinth D | 62 |
| Planar Style Plinth D | 63 |
| Reno Planar | 66 |
| Vertex Swing, Vertex Tango & Vertex Slim | 68 |
| Vertex Plan & Vertex Style | 74 |

SPECIAL RADIATORS



| | |
|-------------------------|-----|
| ECO Galva | 84 |
| Hygiene ECO Galva | 88 |
| Novello Plinth | 92 |
| Reno | 94 |
| Galva | 98 |
| Hygiene Galva | 102 |
| Hygiene | 106 |
| Vertical Galva | 110 |

STANDARD RADIATORS



| | |
|----------------------|-----|
| Vertex | 113 |
| Novello 8 | 116 |
| Novello | 120 |
| Compact All In | 124 |
| Accord All In | 128 |

ELECTRICAL RANGE



| | |
|----------------------|-----|
| Vertex Plan E | 132 |
| Vertex E | 133 |
| Dahlia E-VENTO | 136 |
| Dahlia E | 137 |

BATHROOM RANGE

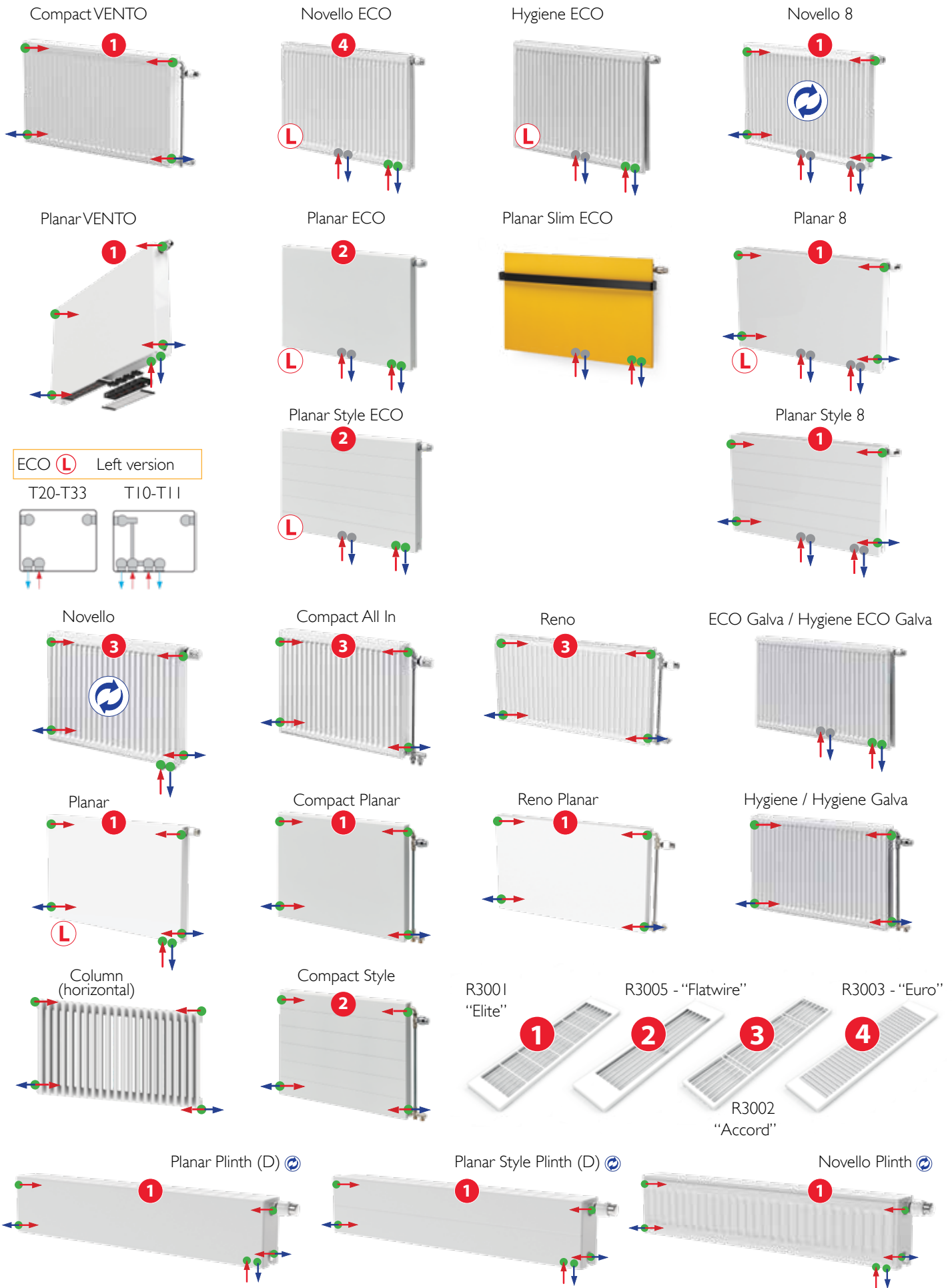


| | |
|--|-----|
| Dahlia Dahlia CT | 138 |
| Valeriana Valeriana CT | 139 |
| Heating element for bathroom radiators | 140 |
| Bathroom radiator as room divider | 141 |

GENERAL

| | |
|---|-----|
| Connection overview: horizontal & vertical radiators | 4 |
| Vertex Swing, Vertex Tango, Vertex Slim, Vertex Plan, Vertex Style, Vertical Galva & Vertex | |
| Wall brackets | 80 |
| Mounting & Dismounting - Dressing | 81 |
| Grille & bracket hider | 81 |
| Towel rail vertical radiators | 82 |
| Towel rails horizontal radiators | 83 |
| DIN-radiators steel/cast iron: compared to Reno / Reno Planar | 97 |
| Mounting | |
| Electrical radiators | 134 |
| Mounting template | 142 |
| Lug positions | 144 |
| Connection possibilities | 145 |
| Mounting dimensions valve radiators | 146 |
| Wall brackets | 148 |
| Mounting dimensions of plinth radiators | 152 |
| Floor stands | 153 |
| Valved design connection fitting | 156 |
| connection fittings without valve & thermostatic valve | 158 |
| DIN-radiators steel/cast iron: replacement radiator & renovationset for ECO-radiators | 159 |
| Hydraulic balancing of heating systems | 160 |
| Valve insert | 161 |
| Pressure drop | 168 |
| Mounting & Dismounting - Dressing | 172 |
| Certificates & heat screen | 174 |
| EN442 compliance | 175 |
| Temperature correction factors | 176 |
| How to compose your article number ? | 177 |
| Colour your warmth | 178 |

CONNECTION OVERVIEW: HORIZONTAL RADIATORS



Attention: The bottom connections must be used in pairs and cannot be used in combination with other connections. (see also page 145)

CONNECTION OVERVIEW: VERTICAL RADIATORS

Vertex Swing



Vertex Tango



Vertex Slim



Vertex Style *



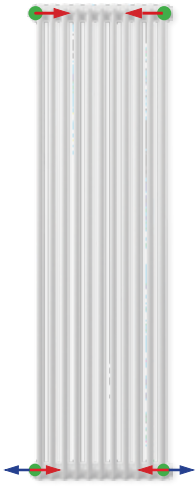
Vertex Plan *



Vertex *
Vertical Galva *



Column
(vertical)



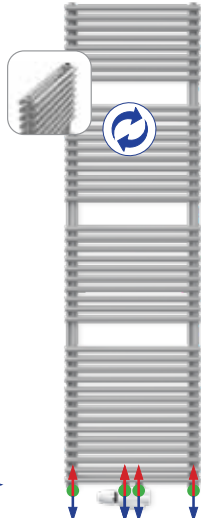
Almada



Horta Vertical



Gilia Double



Gilia Single



Dahlia
Dahlia CT



Valeriana
Valeriana CT



1/2" Female connection



3/4" Eurocone male connection



Reversible Front-Back



Reversible Top-Bottom



Left version available

* For the connection possibilities when the radiator is reversed: see also page 78, 79 and 113

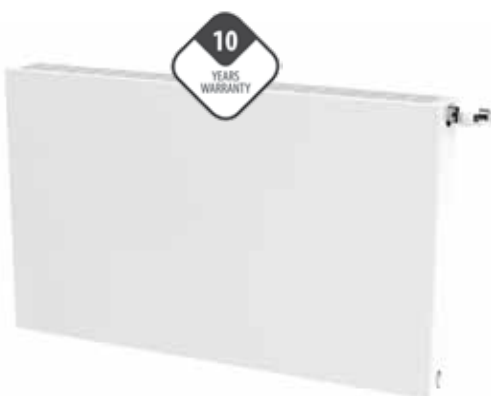
Attention: for the vertical radiators:
- combine either the inner (centre) connections
- or the outer connections for in- and outlet.
(cannot be combined)

General information

PLANAR VENTO

The Planar VENTO ultra-low-temperature radiator is the decorative version in our VENTO range. The fully automatic radiator with integrated fans provides an enhanced convection. This makes the radiator extremely suitable for low and ultra-low supply temperatures, such as with heat pumps. In addition, the VENTO can provide non-condensing cooling in combination with a heat pump.

| | |
|----------------------------|--|
| Product: | decorative ultra-low-temperature valve radiator with a flat front and integrated fans for a boosted convection |
| Finishing: | decorative flat front, upper grille and side panels |
| Pre-installed: | fully automatic fans, preset Heimeier 4368 or 4369 valve insert, air vent and blind plugs |
| Valve insert: | The integrated adjustable valve insert (without thermostatic head) is factory-fit on the right side of the radiator, CEN certified, tested in accordance with EN215 and compatible with thermostatic heads M30 x 1,5 mm. The thermostatic valve insert is factory-set in relation to the size of the radiator. This presetting ensures optimum throughput in the radiator. Factory setting for two-pipe systems, also suitable for one-pipe systems (as long as the valve insert is adjusted to position 8). |
| Also supplied: | AC/DC adapter 240V/12V with 1,5 m power cable, VDI brackets with anti-lift (type Monclac), screws, plugs and installation instructions |
| Control: | fully automatic, modulating control. When plugging in, the fans will briefly operate to check their proper functioning. During their normal operation the fans will start when the bottom side remains warm during a certain amount of time. This may take 10 – 30 minutes. |
| Cooling: | in combination with a heat pump. The inlet temperature must remain above the dew point. For optimal cooling, the direction of the water through the radiator must be reversed, in combination with a heat pump. The inlet temperature must remain above the dew point. For optimal cooling, the direction of the water through the radiator must be reversed, the radiator must be equipped with the optional thermostatic head T2142 with built-in cooling mode. |
| Sound pressure: | max. 32 dB(A) at a distance of 1 meter; for a radiator with a length of 1.000 mm and a height of 600 mm |
| Connections: | 6 x ½" female connection (2 x ½" lateral bottom connection included). |
| Lugs: | 2 pairs of mounting lugs up to 1.600 mm and 3 pairs from 1.800 mm |
| Packaging: | Every radiator is sturdily packaged in high-quality cardboard and wrapped in plastic. The radiator's characteristics are shown on the label: type – height – length. |
| Warranty: | 10 years for the radiator and 2 years for the electrical components, as long as the installation instructions have been followed and Stelrad's warranty conditions have been met. |
| Paint process: | All radiators are degreased, phosphated, cathodically primed and powder-coated in Stelrad white 9016 as standard. |
| Colours: | Stelrad white 9016 + 35 different Stelrad colours and about 200 RAL-colours are possible |
| Max. operating pressure: | 10 bar (tested to 13 bar) |
| Min./max. operating temp.: | 35 – 60 °C |
| Conformity: | in accordance with EN16430 |
| Max. electrical power: | 1,2 – 7 W |
| Number of fans: | 4 – 21 |
| Type: | 22 |
| Heights: | 400 600 900 mm |
| Lengths: | 500 – 2.000 mm |
| Depth: | 102 mm |

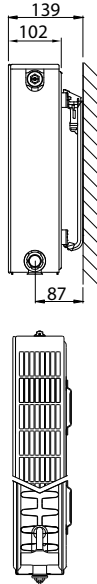


Type overview and heat outputs according to EN16430

Calculation factor per meter at 75/65/20°C according EN16430

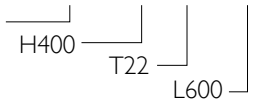
Characteristic equation:

$$\Phi = K_M \times \Delta T^n$$



On the label:
VENTO PLAN T22: 0240

Art. 0240 04 22 06



| | | | |
|------------|--------|---------|------------|
| ΔT | 12,5°C | EN16430 | 35/30/20°C |
| ΔT | 20°C | EN16430 | 45/35/20°C |

| Height | 400 | 600 | 900 | Height |
|-------------|---------------------------|---------------------------|---------------------------|-------------|
| Type | 22 | | | Type |
| 500 | 145 254 0240042205 | 185 327 0240062205 | 225 406 0240092205 | 500 |
| 600 | 173 305 0240042206 | 222 392 0240062206 | 270 487 0240092206 | 600 |
| 700 | 202 355 0240042207 | 259 458 0240062207 | 315 568 0240092207 | 700 |
| 800 | 231 406 0240042208 | 296 523 0240062208 | 360 650 0240092208 | 800 |
| 900 | 260 457 0240042209 | 333 588 0240062209 | 405 731 0240092209 | 900 |
| 1000 | 289 508 0240042210 | 370 654 0240062210 | 450 812 0240092210 | 1000 |
| 1100 | 318 558 0240042211 | 407 719 0240062211 | 495 893 0240092211 | 1100 |
| 1200 | 347 609 0240042212 | 444 784 0240062212 | 540 974 0240092212 | 1200 |
| 1400 | 405 711 0240042214 | 518 915 0240062214 | 630 1137 0240092214 | 1400 |
| 1600 | 462 812 0240042216 | 592 1046 0240062216 | 721 1299 0240092216 | 1600 |
| 1800 | 520 914 0240042218 | 666 1177 0240062218 | | 1800 |
| 2000 | 578 1015 0240042220 | 740 1307 0240062220 | | 2000 |

Stelrad BV/PLZ/0020/EC007

| Height | | Type 22 | Centre distance |
|--------|----------------|---------|-----------------|
| 400 | W | 1.522 | 350 |
| | kg | 24,67 | |
| | l | 4,60 | |
| | m ² | 4,92 | |
| | n | 1,20 | |
| 600 | W | 1.983 | 550 |
| | kg | 35,70 | |
| | l | 6,60 | |
| | m ² | 7,74 | |
| | n | 1,21 | |
| 900 | W | 2.562 | 850 |
| | kg | 53,55 | |
| | l | 9,65 | |
| | m ² | 12,68 | |
| | n | 1,25 | |

W=heat output per meter / kg=weight per meter
l=content per meter / m²=surface per meter / n=exponent

The manufacturer reserves the right to alter any of the specifications shown in this document without prior notice.

General information

COMPACT VENTO

The Compact VENTO is the ultra-low-temperature radiator that, thanks to its modulating control and integrated fans, provides you with pleasant heating comfort even at low temperatures. The big advantage of this model is that the fans are controlled fully automatically. This radiator has also been specifically developed for use in combination with renewable energy sources such as a heat pump. In addition, the VENTO can provide non-condensing cooling in combination with a heat pump.

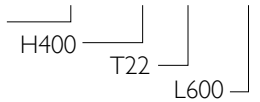
| | |
|----------------------------|---|
| Product: | ultra-low-temperature radiator with integrated fans for a boosted convection |
| Finishing: | upper grille and side panels |
| Pre-installed: | fully automatic fans |
| Also supplied: | AC/DC adapter 240V/12V with 1,5 m power cable, VDI brackets with anti-lift (type Monclac), screws, plugs, air vent, blind plug and installation instructions |
| Control: | fully automatic, modulating control. When plugging in, the fans will briefly operate to check their proper functioning. During their normal operation the fans will start when the bottom side remains warm during a certain amount of time. This may take 10 – 30 minutes. |
| Cooling: | in combination with a heat pump. The inlet temperature must remain above the dew point. For optimal cooling, the direction of the water through the radiator must be reversed, in combination with a heat pump. The inlet temperature must remain above the dew point. For optimal cooling, the direction of the water through the radiator must be reversed, the radiator must be equipped with the optional thermostatic head T2142 with built-in cooling mode. |
| Sound pressure: | max. 32 dB(A) at a distance of 1 meter, for a radiator with a length of 1.000 mm and a height of 600 mm |
| Connections: | 6 x ½" female connection (2 x ½" lateral bottom connection included). |
| Lugs: | 2 pairs of mounting lugs up to 1.600 mm and 3 pairs from 1.800 mm |
| Packaging: | Every radiator is sturdily packaged in high-quality cardboard and wrapped in plastic. The radiator's characteristics are shown on the label: type – height – length. |
| Warranty: | 10 years for the radiator and 2 years for the electrical components, as long as the installation instructions have been followed and Stelrad's warranty conditions have been met. |
| Paint process: | All radiators are degreased, phosphated, cathodically primed and powder-coated in Stelrad white 9016 as standard. |
| Colours: | Stelrad white 9016 + 35 different Stelrad colours and about 200 RAL-colours are possible |
| Max. operating pressure: | 10 bar (tested to 13 bar) |
| Min./max. operating temp.: | 35 – 60 °C |
| Conformity: | in accordance with EN16430 |
| Max. electrical power: | 1,2 – 7 W |
| Number of fans: | 4 – 21 |
| Type: | 22 |
| Heights: | 400 600 900 mm |
| Lengths: | 500 – 2.000 mm |
| Depth: | 100 mm |



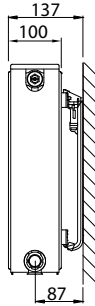
Type overview and heat outputs according to EN16430

On the label:
COMPACTVENTO T22: 0110

Art. 0110 04 22 06



Calculation factor per meter at 75/65/20°C according EN16430



Characteristic equation:

$$\Phi = K_M \times \Delta T^n$$



| | | | |
|------------|--------|---------|------------|
| ΔT | 12,5°C | EN16430 | 35/30/20°C |
| ΔT | 20°C | EN16430 | 45/35/20°C |

| Height | 400 | 600 | 900 | Height |
|-------------|---------------------------|---------------------------|---------------------------|-------------|
| Type | 22 | | | Type |
| 500 | 145 256 0110042205 | 180 321 0110062205 | 229 416 0110092205 | 500 |
| 600 | 174 307 0110042206 | 215 385 0110062206 | 275 499 0110092206 | 600 |
| 700 | 203 358 0110042207 | 251 449 0110062207 | 321 583 0110092207 | 700 |
| 800 | 232 409 0110042208 | 287 514 0110062208 | 366 666 0110092208 | 800 |
| 900 | 261 460 0110042209 | 323 578 0110062209 | 412 749 0110092209 | 900 |
| 1000 | 290 511 0110042210 | 359 642 0110062210 | 458 832 0110092210 | 1000 |
| 1100 | 319 562 0110042211 | 395 706 0110062211 | 504 916 0110092211 | 1100 |
| 1200 | 348 613 0110042212 | 431 770 0110062212 | 550 999 0110092212 | 1200 |
| 1400 | 406 715 0110042214 | 503 899 0110062214 | 641 1165 0110092214 | 1400 |
| 1600 | 464 818 0110042216 | 575 1027 0110062216 | 733 1332 0110092216 | 1600 |
| 1800 | 522 920 0110042218 | 646 1155 0110062218 | | 1800 |
| 2000 | 580 1022 0110042220 | 718 1284 0110062220 | | 2000 |

Stelrad BV/PLZ/0020/EC07

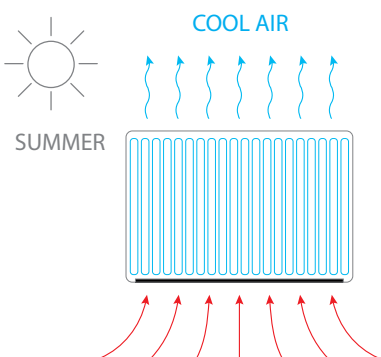
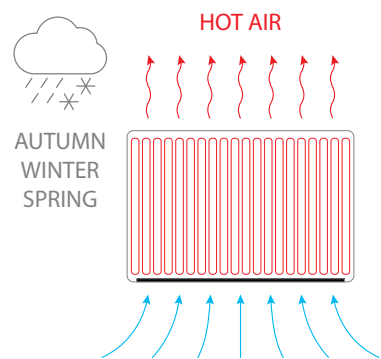
| Height | | Type 22 | Centre distance |
|------------|----------------|---------|-----------------|
| 400 | W | 1.541 | 350 |
| | kg | 22,10 | |
| | l | 4,60 | |
| | m ² | 4,92 | |
| | n | 1,20 | |
| 600 | W | 1.992 | 550 |
| | kg | 30,00 | |
| | l | 6,60 | |
| | m ² | 7,74 | |
| | n | 1,24 | |
| 900 | W | 2.666 | 850 |
| | kg | 46,80 | |
| | l | 9,65 | |
| | m ² | 12,68 | |
| | n | 1,27 | |

W=heat output per meter / kg=weight per meter
l=content per meter / m²=surface per meter / n=exponent

The manufacturer reserves the right to alter any of the specifications shown in this document without prior notice.

COOLING

Built-in ventilators automatically generate additional convection heat. But that's not all, because when you use it with a heat pump set at no lower than 17°C you can also use a VENTO radiator to cool down your home. Homes are increasingly being well insulated, which increases the risk of overheating in the summer. The cooling kicks in automatically generating a pleasant breeze.



| (in watt) | | Planar-VENTO | | | | | | Compact VENTO | | | | | |
|------------------|----------------|--------------|-----------|----------|-----------|----------|-----------|---------------|-----------|----------|-----------|----------|-----------|
| | | H 400 | | H 600 | | H 900 | | H 400 | | H 600 | | H 900 | |
| Ventilator speed | | Stand-by | Dyn. max. | Stand-by | Dyn. max. | Stand-by | Dyn. max. | Stand-by | Dyn. max. | Stand-by | Dyn. max. | Stand-by | Dyn. max. |
| n-exponent | | 1,2917 | 0,9211 | 1,3066 | 0,9528 | 1,3202 | 0,8715 | 1,305 | 0,8937 | 1,3055 | 0,9204 | 1,2942 | 0,82 |
| L 500 | 17 / 19 / 28°C | 57 | 95 | 79 | 113 | 107 | 122 | 59 | 92 | 81 | 109 | 113 | 128 |
| L 600 | 17 / 19 / 28°C | 68 | 113 | 94 | 135 | 128 | 146 | 70 | 110 | 97 | 130 | 136 | 153 |
| L 700 | 17 / 19 / 28°C | 80 | 132 | 110 | 158 | 149 | 170 | 82 | 129 | 113 | 152 | 158 | 179 |
| L 800 | 17 / 19 / 28°C | 91 | 151 | 126 | 180 | 170 | 194 | 94 | 147 | 130 | 174 | 181 | 204 |
| L 900 | 17 / 19 / 28°C | 103 | 170 | 141 | 203 | 192 | 219 | 105 | 166 | 146 | 195 | 203 | 230 |
| L 1000 | 17 / 19 / 28°C | 114 | 189 | 157 | 225 | 213 | 243 | 117 | 184 | 162 | 217 | 226 | 255 |
| L 1100 | 17 / 19 / 28°C | 125 | 208 | 173 | 248 | 234 | 267 | 129 | 202 | 178 | 239 | 249 | 281 |
| L 1200 | 17 / 19 / 28°C | 137 | 227 | 188 | 270 | 256 | 292 | 140 | 221 | 194 | 260 | 271 | 306 |
| L 1400 | 17 / 19 / 28°C | 160 | 265 | 220 | 315 | 298 | 340 | 164 | 258 | 227 | 304 | 316 | 357 |
| L 1600 | 17 / 19 / 28°C | 182 | 302 | 251 | 360 | 341 | 389 | 187 | 294 | 259 | 347 | 362 | 408 |
| L 1800 | 17 / 19 / 28°C | 205 | 340 | 283 | 405 | - | - | 211 | 331 | 292 | 391 | - | - |
| L 2000 | 17 / 19 / 28°C | 228 | 378 | 314 | 450 | - | - | 234 | 368 | 324 | 434 | - | - |

SOUND PRESSURE

The modulation system ensures you achieve your optimal temperature without needing a lot of technical knowledge. And you won't be disturbed by the ventilators that generate additional convection heat. While other classic systems usually have three settings, the VENTO convection technology has a modulating thermostat to ensure it reaches your desired temperature quickly and noiselessly.

The VENTO only works at full tilt when the temperature in your home has fallen to a low level. In that case the sound pressure at 1 meter of a model measuring 600 mm by 1.000 mm is just 32dB(A), the level of a whisper.

HOW LOUD IS A GIVEN DECIBEL LEVEL?

| dB(A) | Perception | Examples |
|-------|---------------------|---|
| 10 | Virtually inaudible | Breathing, falling leaf |
| 20 | Just audible | Radio studio, rustling leaves |
| 30 | Very quiet | Library (30-40), whispers |
| 40 | Quiet | Living room, quiet classroom, gentle hubbub, fridge |
| 50 | Moderate | Airconditioning, normal conversation, dishwasher |

HEATING AT ULTRA LOW TEMPERATURE: CHOOSE SUSTAINABILITY

ENERGY EFFICIENT

Heat sources like heat pumps are more efficient when running on a low temperature supply, even as low as 35°C. The temperature of a modern heating system will be between 35°C and 60°C, which is precisely VENTO's optimal temperature range. Traditional central heating systems on the other hand run on water heated to 80°C. Lowering the temperature reduces your energy bill and your carbon emissions. And you help achieve the EU's goal of carbon neutrality by 2050.

WHISPER IT: JUST PERFECT

The modulation system ensures you achieve your optimal temperature without needing a lot of technical knowledge. And you won't be disturbed by the ventilators that generate additional convection heat. While other classic systems usually have three settings, the VENTO convection technology has a modulating thermostat to ensure it reaches your desired temperature quickly and noiselessly. The VENTO only works at full tilt when the temperature in your home has fallen to a low level. In that case the sound pressure at 1 meter of a model measuring 600 mm by 1.000 mm is just 32dB(A), the level of a whisper. But that's not all, because when you use it with a heat pump set at no lower than 17°C you can also use a VENTO radiator to cool down your home. Homes are increasingly being well insulated, which increases the risk of overheating in the summer. The cooling kicks in automatically, generating a pleasant breeze.

SMART AND USER-FRIENDLY

The fully automatic VENTO radiators work like any other radiator. There are no confusing operating panels or bewildering buttons. The temperature is regulated in the same way as in regular radiators, with a thermostatic valve with or without a room thermostat.

EASY TO INSTALL

Gas condensation boiler, fuel oil boiler or (hybrid) heating pump. VENTO radiators can be easily connected to any heating source. A hybrid heating pump is clearly the best option. VENTO radiators are installed in the same way as traditional radiators. All you need is a free socket.

NEWBUILD AND RENOVATION

VENTO radiators can be combined with all types of heat sources, which makes them suitable for newbuild or renovations. They are specially designed to connect to existing pipework. The Compact has four connections on the side. The Planar also has two lateral connections at the bottom. This makes this luxury radiator very suitable for renovations.

General information

NOVELLO ECO

Low-temperature panel radiator made from high-quality steel, with serial flow technology (hot water first flows through the front panel). This results in high energy efficiency, maximum radiation (even in low-temperature heating systems), faster heating rate and less waste of energy.

| | |
|-----------------------------|---|
| Product: | Stelrad low-temperature valve radiator with serial flow technology, both centre and lateral bottom connections and a preset valve insert, which can be fitted on the left or right side of the radiator upper grille and side panels |
| Finishing: | preset Heimeier 4368 or 4369 valve insert, ECO air vent and blind plugs |
| Pre-installed: | The integrated adjustable valve (without thermostatic head) is factory-fit on the right side of the radiator; CEN certified, tested in accordance with EN215 and compatible with thermostatic heads M30 x 1,5 mm. For types 21 – 22 – 33 can the valve insert can also be fitted on the left side of the radiator; a left version for a type 11 radiator is available on request. |
| Valve insert: | The thermostatic valve insert is factory-set in relation to the size of the radiator. This presetting ensures optimum throughput in the radiator. Factory setting for two-pipe systems, also suitable for one-pipe systems (as long as the valve insert is adjusted to position 8). |
| Also supplied: | VDI brackets with anti-lift (type Monclac), screws, plugs and installation instructions |
| Connections: | 2 x ¾" male Eurocone centre connection and 2 x ½" female lateral bottom connection Left version (types 21-22-33) only with 2 x ½" female lateral bottom connection. |
| Lugs: | 2 pairs of mounting lugs up to 1.600 mm and 3 pairs from 1.800 mm |
| Packaging: | Every radiator is sturdily packaged in high-quality cardboard and wrapped in plastic. The radiator's characteristics are shown on the label: type – height – length. |
| Warranty: | 10 years, as long as the installation instructions have been followed and Stelrad's warranty conditions have been met. |
| Paint process: | All radiators are degreased, phosphated, cataphoretically primed and powder-coated in Stelrad white 9016 as standard. |
| Colours: | Stelrad white 9016 + 35 different Stelrad colours and about 200 RAL-colours are possible |
| Heat cost allocator: | Suitable for heat cost allocators, both electronic and according to the evaporation principle (covered by the norm of EN834 & EN835). |
| Max. operating pressure: | 10 bar (tested to 13 bar) |
| Max. operating temperature: | 110 °C |
| Conformity: | in accordance with EN442 |
| Quality assurance: | NF |
| Declaration of equivalence: | Bureau CRG and Kiwa |
| Types: | 11 21 22 33 |
| Heights: | 300 400 500 600 700 900 mm |
| Lengths: | 400 – 3.000 mm |
| Depths: | 61 77 100 158 mm |

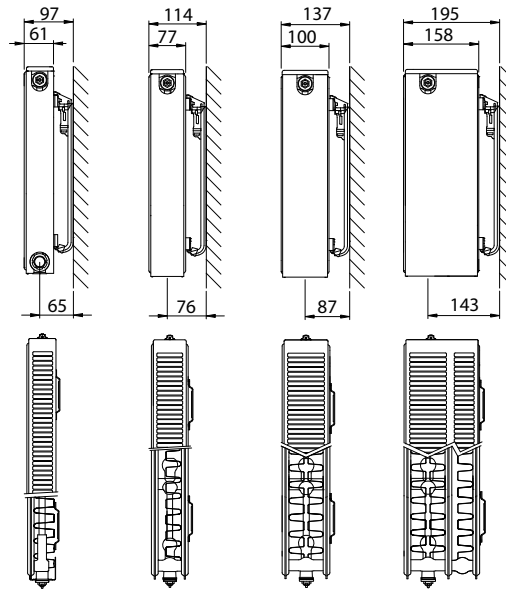


Type overview

Calculation factor
per meter
at 75/65/20°C
according to EN442

Characteristic equation:

$$\Phi = K_M \times \Delta T^n$$



| Height | | Type 11 | Type 21 | Type 22 | Type 33 | Height |
|--------|----------------|---------|---------|---------|---------|--------|
| 300 | W | 509 | | 933 | 1.347 | 300 |
| | kg | 9,31 | | 16,50 | 24,70 | |
| | l | 1,89 | | 3,70 | 5,20 | |
| | m ² | 2,09 | | 3,51 | 5,26 | |
| | n | 1,32 | | 1,31 | 1,33 | |
| 400 | W | 676 | 927 | 1.173 | 1.686 | 400 |
| | kg | 12,78 | 18,83 | 21,83 | 32,63 | |
| | l | 2,34 | 4,80 | 4,77 | 6,80 | |
| | m ² | 2,95 | 3,37 | 4,92 | 7,38 | |
| | n | 1,31 | 1,29 | 1,30 | 1,33 | |
| 500 | W | 833 | 1.107 | 1.401 | 2.007 | 500 |
| | kg | 16,24 | 23,37 | 27,17 | 40,57 | |
| | l | 2,80 | 5,80 | 5,83 | 8,40 | |
| | m ² | 3,80 | 4,31 | 6,33 | 9,49 | |
| | n | 1,30 | 1,30 | 1,30 | 1,33 | |
| 600 | W | 980 | 1.287 | 1.617 | 2.313 | 600 |
| | kg | 19,70 | 27,90 | 32,50 | 48,50 | |
| | l | 3,25 | 6,80 | 6,90 | 10,00 | |
| | m ² | 4,66 | 5,24 | 7,74 | 11,61 | |
| | n | 1,29 | 1,30 | 1,30 | 1,33 | |
| 700 | W | 1.117 | 1.467 | 1.824 | 2.607 | 700 |
| | kg | 22,90 | 32,70 | 38,07 | 57,00 | |
| | l | 3,77 | 7,57 | 7,63 | 11,25 | |
| | m ² | 5,51 | 6,18 | 9,15 | 13,72 | |
| | n | 1,29 | 1,31 | 1,30 | 1,33 | |
| 900 | W | 1.360 | 1.836 | 2.220 | 3.180 | 900 |
| | kg | 29,30 | 42,30 | 49,20 | 74,00 | |
| | l | 4,80 | 9,10 | 9,10 | 13,75 | |
| | m ² | 7,22 | 8,05 | 11,97 | 17,96 | |
| | n | 1,29 | 1,32 | 1,30 | 1,33 | |

W=heat output per meter / kg=weight per meter / l=content per meter / m²=surface per meter / n=exponent
The manufacturer reserves the right to alter any of the specifications shown in this document without prior notice.

NOVELLO ECO

Heat outputs according to EN442



EN442 (W) 70/50/20°C

EN442 (W) 55/45/20°C

EN442 (W) 75/65/20°C

Stelrad BV/PL24/0020/EC007

| Height | 300 | | |
|-------------|-----|-------|-------|
| | 11 | 22 | 33 |
| 400 | 152 | 279 | 401 |
| | 104 | 191 | 274 |
| | 204 | 373 | 539 |
| 500 | 189 | 348 | 501 |
| | 129 | 239 | 342 |
| | 255 | 467 | 674 |
| 600 | 227 | 418 | 601 |
| | 155 | 287 | 410 |
| | 305 | 560 | 808 |
| 700 | 265 | 488 | 701 |
| | 181 | 335 | 479 |
| | 356 | 653 | 943 |
| 800 | 303 | 557 | 802 |
| | 207 | 383 | 547 |
| | 407 | 746 | 1.078 |
| 900 | 341 | 628 | 901 |
| | 233 | 431 | 615 |
| | 458 | 840 | 1.212 |
| 1000 | 379 | 697 | 1.002 |
| | 259 | 479 | 684 |
| | 509 | 933 | 1.347 |
| 1100 | 417 | 767 | 1.102 |
| | 285 | 527 | 752 |
| | 560 | 1.026 | 1.482 |
| 1200 | 455 | 837 | 1.202 |
| | 311 | 575 | 820 |
| | 611 | 1.120 | 1.616 |
| 1400 | 531 | 976 | 1.402 |
| | 363 | 670 | 957 |
| | 713 | 1.306 | 1.886 |
| 1600 | | 1.116 | 1.602 |
| | | 766 | 1.094 |
| | | 1.493 | 2.155 |
| 1800 | | 1.255 | 1.803 |
| | | 862 | 1.231 |
| | | 1.679 | 2.425 |
| 2000 | | 1.394 | 2.003 |
| | | 958 | 1.367 |
| | | 1.866 | 2.694 |
| 2200 | | 1.534 | 2.203 |
| | | 1.054 | 1.504 |
| | | 2.053 | 2.963 |
| 2400 | | 1.673 | 2.404 |
| | | 1.149 | 1.641 |
| | | 2.239 | 3.233 |
| 2600 | | 1.813 | |
| | | 1.245 | |
| | | 2.426 | |
| 2800 | | 1.952 | |
| | | 1.341 | |
| | | 2.612 | |
| 3000 | | 2.092 | |
| | | 1.437 | |
| | | 2.799 | |

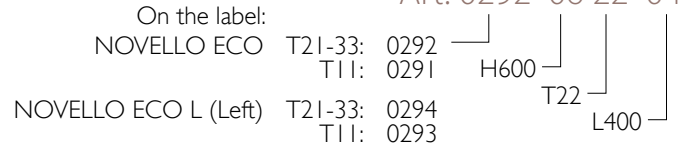
| 400 | | | |
|-------|-------|-------|-------|
| 11 | 21 | 22 | 33 |
| 201 | 278 | 351 | 501 |
| 138 | 192 | 241 | 342 |
| 270 | 371 | 469 | 674 |
| 252 | 348 | 438 | 627 |
| 173 | 240 | 301 | 428 |
| 338 | 464 | 587 | 843 |
| 303 | 417 | 526 | 753 |
| 208 | 288 | 362 | 514 |
| 406 | 556 | 704 | 1.012 |
| 353 | 487 | 614 | 877 |
| 242 | 336 | 422 | 599 |
| 473 | 649 | 821 | 1.180 |
| 404 | 557 | 701 | 1.003 |
| 277 | 384 | 482 | 685 |
| 541 | 742 | 938 | 1.349 |
| 454 | 626 | 789 | 1.128 |
| 311 | 432 | 542 | 770 |
| 608 | 834 | 1.056 | 1.517 |
| 504 | 695 | 877 | 1.254 |
| 346 | 480 | 602 | 856 |
| 676 | 927 | 1.173 | 1.686 |
| 555 | 765 | 964 | 1.379 |
| 381 | 528 | 662 | 941 |
| 744 | 1.020 | 1.290 | 1.855 |
| 605 | 834 | 1.052 | 1.504 |
| 415 | 576 | 723 | 1.027 |
| 811 | 1.112 | 1.408 | 2.023 |
| 706 | 974 | 1.227 | 1.755 |
| 484 | 672 | 843 | 1.198 |
| 946 | 1.298 | 1.642 | 2.360 |
| 807 | 1.112 | 1.403 | 2.006 |
| 554 | 768 | 964 | 1.369 |
| 1.082 | 1.483 | 1.877 | 2.698 |
| 908 | 1.252 | 1.578 | 2.257 |
| 623 | 864 | 1.084 | 1.540 |
| 1.217 | 1.669 | 2.111 | 3.035 |
| 1.009 | 1.391 | 1.753 | 2.507 |
| 692 | 960 | 1.205 | 1.711 |
| 1.352 | 1.854 | 2.346 | 3.372 |
| | 1.529 | 1.929 | 2.758 |
| | 1.056 | 1.325 | 1.882 |
| | 2.039 | 2.581 | 3.709 |
| | 1.669 | 2.104 | 3.009 |
| | 1.152 | 1.446 | 2.053 |
| | 2.225 | 2.815 | 4.046 |
| | | 2.280 | |
| | | 1.566 | |
| | | 3.050 | |
| | | 2.455 | |
| | | 1.686 | |
| | | 3.284 | |
| | | 2.630 | |
| | | 1.807 | |
| | | 3.519 | |

| 500 | | | |
|-------|-------|-------|-------|
| 11 | 21 | 22 | 33 |
| 249 | 332 | 419 | 597 |
| 171 | 229 | 288 | 408 |
| 333 | 443 | 560 | 803 |
| 311 | 415 | 523 | 747 |
| 214 | 286 | 360 | 510 |
| 417 | 554 | 701 | 1.004 |
| 374 | 497 | 629 | 895 |
| 257 | 343 | 432 | 611 |
| 500 | 664 | 841 | 1.204 |
| 436 | 580 | 733 | 1.045 |
| 300 | 400 | 504 | 713 |
| 583 | 775 | 981 | 1.405 |
| 498 | 664 | 838 | 1.194 |
| 343 | 457 | 576 | 815 |
| 666 | 886 | 1.121 | 1.606 |
| 561 | 746 | 943 | 1.343 |
| 386 | 514 | 648 | 917 |
| 750 | 996 | 1.261 | 1.806 |
| 623 | 829 | 1.047 | 1.492 |
| 428 | 571 | 720 | 1.019 |
| 833 | 1.107 | 1.401 | 2.007 |
| 685 | 912 | 1.152 | 1.642 |
| 471 | 628 | 792 | 1.121 |
| 916 | 1.218 | 1.541 | 2.208 |
| 748 | 995 | 1.257 | 1.791 |
| 514 | 685 | 864 | 1.222 |
| 1.000 | 1.328 | 1.681 | 2.408 |
| 872 | 1.161 | 1.466 | 2.090 |
| 600 | 800 | 1.007 | 1.426 |
| 1.166 | 1.550 | 1.961 | 2.810 |
| 997 | 1.326 | 1.676 | 2.388 |
| 686 | 914 | 1.152 | 1.630 |
| 1.333 | 1.771 | 2.242 | 3.211 |
| 1.121 | 1.493 | 1.885 | 2.687 |
| 771 | 1.028 | 1.296 | 1.834 |
| 1.499 | 1.993 | 2.522 | 3.613 |
| 1.246 | 1.658 | 2.095 | 2.985 |
| 857 | 1.142 | 1.439 | 2.037 |
| 1.666 | 2.214 | 2.802 | 4.014 |
| 1.371 | 1.824 | 2.304 | 3.283 |
| 943 | 1.256 | 1.583 | 2.241 |
| 1.833 | 2.435 | 3.082 | 4.415 |
| 1.495 | 1.990 | 2.513 | 3.582 |
| 1.028 | 1.371 | 1.727 | 2.445 |
| 1.999 | 2.657 | 3.362 | 4.817 |
| | | 2.723 | |
| | | 1.871 | |
| | | 3.643 | |
| | | 2.933 | |
| | | 2.015 | |
| | | 3.923 | |
| | | 3.142 | |
| | | 2.159 | |
| | | 4.203 | |

Core assortment (Stelrad white 9016) available ex factory within 10 days.
 Core assortment is subject to change, please refer to www.stelrad.eu for the latest information.
 Delivery time depends on the model, please refer to your distributor.

NOVELLO ECO

Art. 0292 06 22 04



| Height | 600 | | | |
|--------|-------|-------|-------|-------|
| Type | 11 | 21 | 22 | 33 |
| 400 | 294 | 385 | 484 | 688 |
| | 203 | 265 | 332 | 470 |
| | 392 | 515 | 647 | 925 |
| 500 | 367 | 482 | 604 | 860 |
| | 253 | 331 | 415 | 587 |
| | 490 | 644 | 809 | 1.157 |
| 600 | 441 | 577 | 725 | 1.032 |
| | 304 | 397 | 498 | 705 |
| | 588 | 772 | 970 | 1.388 |
| 700 | 514 | 674 | 846 | 1.204 |
| | 355 | 463 | 582 | 822 |
| | 686 | 901 | 1.132 | 1.619 |
| 800 | 588 | 770 | 967 | 1.376 |
| | 405 | 529 | 665 | 939 |
| | 784 | 1.030 | 1.294 | 1.850 |
| 900 | 661 | 866 | 1.088 | 1.548 |
| | 456 | 595 | 748 | 1.057 |
| | 882 | 1.158 | 1.455 | 2.082 |
| 1000 | 735 | 962 | 1.209 | 1.720 |
| | 507 | 662 | 831 | 1.174 |
| | 980 | 1.287 | 1.617 | 2.313 |
| 1100 | 808 | 1.059 | 1.330 | 1.892 |
| | 557 | 728 | 914 | 1.291 |
| | 1.078 | 1.416 | 1.779 | 2.544 |
| 1200 | 881 | 1.155 | 1.450 | 2.064 |
| | 608 | 794 | 997 | 1.409 |
| | 1.176 | 1.544 | 1.940 | 2.776 |
| 1400 | 1.028 | 1.347 | 1.693 | 2.408 |
| | 709 | 926 | 1.163 | 1.644 |
| | 1.372 | 1.802 | 2.264 | 3.238 |
| 1600 | 1.175 | 1.540 | 1.934 | 2.752 |
| | 810 | 1.058 | 1.329 | 1.879 |
| | 1.568 | 2.059 | 2.587 | 3.701 |
| 1800 | 1.322 | 1.733 | 2.176 | 3.096 |
| | 912 | 1.191 | 1.496 | 2.113 |
| | 1.764 | 2.317 | 2.911 | 4.163 |
| 2000 | 1.469 | 1.925 | 2.418 | 3.440 |
| | 1.013 | 1.323 | 1.662 | 2.348 |
| | 1.960 | 2.574 | 3.234 | 4.626 |
| 2200 | 1.616 | 2.117 | 2.659 | 3.784 |
| | 1.114 | 1.455 | 1.828 | 2.583 |
| | 2.156 | 2.831 | 3.557 | 5.089 |
| 2400 | 1.763 | 2.310 | 2.902 | 4.128 |
| | 1.216 | 1.588 | 1.994 | 2.818 |
| | 2.352 | 3.089 | 3.881 | 5.551 |
| 2600 | | | 3.143 | |
| | | | 2.160 | |
| 2800 | | | 4.204 | |
| | | | 3.385 | |
| 3000 | | | 2.327 | |
| | | | 4.528 | |
| 3000 | | | 3.627 | |
| | | | 2.493 | |
| 3000 | | | 4.851 | |

| 700 | | | |
|-------|-------|-------|-------|
| 11 | 21 | 22 | 33 |
| 335 | 438 | 546 | 776 |
| 231 | 301 | 375 | 529 |
| 447 | 587 | 730 | 1.043 |
| 418 | 548 | 682 | 970 |
| 288 | 376 | 469 | 662 |
| 559 | 734 | 912 | 1.304 |
| 502 | 657 | 818 | 1.163 |
| 346 | 451 | 562 | 794 |
| 670 | 880 | 1.094 | 1.564 |
| 586 | 767 | 955 | 1.357 |
| 404 | 526 | 656 | 926 |
| 782 | 1.027 | 1.277 | 1.825 |
| 670 | 876 | 1.091 | 1.551 |
| 462 | 601 | 750 | 1.059 |
| 894 | 1.174 | 1.459 | 2.086 |
| 753 | 985 | 1.228 | 1.745 |
| 519 | 676 | 844 | 1.191 |
| 1.005 | 1.320 | 1.642 | 2.346 |
| 837 | 1.095 | 1.364 | 1.939 |
| 577 | 751 | 938 | 1.323 |
| 1.117 | 1.467 | 1.824 | 2.607 |
| 921 | 1.205 | 1.500 | 2.133 |
| 635 | 827 | 1.031 | 1.456 |
| 1.229 | 1.614 | 2.006 | 2.868 |
| 1.004 | 1.314 | 1.637 | 2.326 |
| 693 | 901 | 1.125 | 1.588 |
| 1.340 | 1.760 | 2.189 | 3.128 |
| 1.172 | 1.533 | 1.910 | 2.714 |
| 808 | 1.052 | 1.313 | 1.853 |
| 1.564 | 2.054 | 2.554 | 3.650 |
| 1.339 | 1.752 | 2.182 | 3.102 |
| 924 | 1.202 | 1.500 | 2.117 |
| 1.787 | 2.347 | 2.918 | 4.171 |
| 1.507 | 1.972 | 2.455 | 3.490 |
| 1.039 | 1.353 | 1.688 | 2.382 |
| 2.011 | 2.641 | 3.283 | 4.693 |
| 1.674 | 2.190 | 2.728 | 3.878 |
| 1.155 | 1.503 | 1.875 | 2.647 |
| 2.234 | 2.934 | 3.648 | 5.214 |
| | | | |
| | | | |
| | | | |
| | | | |
| | | | |

| 900 | | | |
|-------|-------|-------|-------|
| 11 | 21 | 22 | 33 |
| 408 | 546 | 664 | 946 |
| 281 | 373 | 457 | 646 |
| 544 | 734 | 888 | 1.272 |
| 510 | 683 | 830 | 1.183 |
| 351 | 467 | 571 | 807 |
| 680 | 918 | 1.110 | 1.590 |
| 612 | 820 | 996 | 1.419 |
| 422 | 560 | 685 | 969 |
| 816 | 1.102 | 1.332 | 1.908 |
| 714 | 956 | 1.162 | 1.656 |
| 492 | 653 | 799 | 1.130 |
| 952 | 1.285 | 1.554 | 2.226 |
| 816 | 1.093 | 1.328 | 1.892 |
| 562 | 747 | 914 | 1.292 |
| 1.088 | 1.469 | 1.776 | 2.544 |
| 917 | 1.229 | 1.495 | 2.129 |
| 633 | 840 | 1.028 | 1.453 |
| 1.224 | 1.652 | 1.998 | 2.862 |
| 1.019 | 1.366 | 1.661 | 2.365 |
| 703 | 933 | 1.142 | 1.615 |
| 1.360 | 1.836 | 2.220 | 3.180 |
| 1.121 | 1.503 | 1.827 | 2.602 |
| 773 | 1.027 | 1.256 | 1.776 |
| 1.496 | 2.020 | 2.442 | 3.498 |
| 1.223 | 1.639 | 1.993 | 2.838 |
| 844 | 1.120 | 1.371 | 1.938 |
| 1.632 | 2.203 | 2.664 | 3.816 |
| 1.427 | 1.913 | 2.325 | 3.311 |
| 984 | 1.307 | 1.599 | 2.261 |
| 1.904 | 2.570 | 3.108 | 4.452 |
| 1.631 | 2.186 | 2.657 | 3.784 |
| 1.125 | 1.494 | 1.827 | 2.583 |
| 2.176 | 2.938 | 3.552 | 5.088 |
| 1.835 | 2.459 | 2.989 | 4.257 |
| 1.265 | 1.680 | 2.056 | 2.906 |
| 2.448 | 3.305 | 3.996 | 5.724 |
| 2.039 | 2.733 | 3.321 | 4.730 |
| 1.406 | 1.867 | 2.284 | 3.229 |
| 2.720 | 3.672 | 4.440 | 6.360 |
| | | | |
| | | | |
| | | | |
| | | | |
| | | | |

General information

HYGIENE ECO

Low-temperature panel radiator made from high-quality steel, with serial flow technology (water flows first through the front panel). This results in high energy efficiency, maximum radiation (even in low-temperature heating systems), faster heating rate and less waste of energy.

| | |
|-----------------------------|---|
| Product: | low-temperature valve radiator specifically developed for environments where hygiene and safety are all-important, with serial flow technology, both a centre and lateral bottom connections and a preset valve insert, which can be fitted on the left or right side of the radiator |
| Finishing: | without upper grille or side panels and without convection fins |
| Pre-installed: | preset Heimeier 4368 or 4369 valve insert, ECO air vent and blind plugs |
| Valve insert: | The integrated adjustable valve insert (without thermostatic head) is factory-fit on the right side of the radiator; CEN certified, tested in accordance with EN215 and compatible with thermostatic heads M30 x 1,5 mm. For types 20 - 30 the valve insert can also be fitted on the left side of the radiator; a left version for a type 10 radiator is available on request. The thermostatic valve insert is factory-set in relation to the size of the radiator. This presetting ensures optimum throughput in the radiator. Factory setting for two-pipe systems, also suitable for one-pipe systems (as long as the valve insert is adjusted to position 8). |
| Also supplied: | VDI brackets with anti-lift (type Monclac), screws, plugs and installation instructions |
| Connections: | 2 x ¾" male Eurocone centre connection and 2 x ½" female lateral bottom connection. Left version (type 20-30) only with 2 x ½" female lateral bottom connection. |
| Lugs: | 2 pairs of mounting lugs |
| Packaging: | Every radiator is sturdily packaged in high-quality cardboard and wrapped in plastic. The radiator's characteristics are shown on the label: type – height – length. |
| Warranty: | 10 years, as long as the installation instructions have been followed and Stelrad's warranty conditions have been met. |
| Paint process: | All radiators are degreased, phosphated, cathodically primed and powder-coated in Stelrad white 9016 as standard. |
| Colours: | Stelrad white 9016 + 35 different Stelrad colours and about 200 RAL-colours are possible |
| Heat cost allocator: | Suitable for heat cost allocators, both electronic and according to the evaporation principle (covered by the norm of EN834 & EN835). |
| Max. operating pressure: | 10 bar (tested to 13 bar) |
| Max. operating temperature: | 110 °C |
| Conformity: | in accordance with EN442 |
| Quality assurance: | Hygiene |
| Types: | 10 20 30 |
| Heights: | 400 500 600 700 900 mm |
| Lengths: | 400 – 1.600 mm |
| Depths: | 47 77 158 mm |

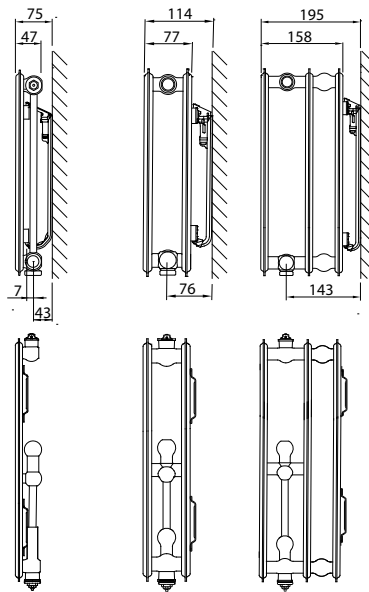


Type overview

Calculation factor
per meter
at 75/65/20°C
according to EN442

Characteristic equation:

$$\dot{\Phi} = K_M \times \Delta T^n$$



| Height | | Type 10 | Type 20 | Type 30 | Height |
|--------|----------------|---------|---------|---------|--------|
| 400 | W | 430 | 732 | 1.074 | 400 |
| | kg | 8,22 | 15,35 | 23,27 | |
| | l | 2,34 | 4,71 | 7,07 | |
| | m ² | 0,91 | 1,83 | 2,73 | |
| | n | 1,29 | 1,28 | 1,30 | |
| 500 | W | 521 | 879 | 1.275 | 500 |
| | kg | 10,28 | 19,12 | 28,73 | |
| | l | 2,80 | 5,70 | 8,63 | |
| | m ² | 1,14 | 2,28 | 3,42 | |
| | n | 1,30 | 1,28 | 1,30 | |
| 600 | W | 610 | 1.023 | 1.470 | 600 |
| | kg | 12,33 | 22,90 | 34,20 | |
| | l | 3,25 | 6,70 | 10,20 | |
| | m ² | 1,37 | 2,74 | 4,11 | |
| | n | 1,31 | 1,29 | 1,31 | |
| 700 | W | 699 | 1.167 | 1.659 | 700 |
| | kg | 14,19 | 26,83 | 40,10 | |
| | l | 3,77 | 7,57 | 11,33 | |
| | m ² | 1,60 | 3,20 | 4,79 | |
| | n | 1,32 | 1,29 | 1,31 | |
| 900 | W | 877 | 1.458 | 2.034 | 900 |
| | kg | 17,90 | 34,70 | 51,90 | |
| | l | 4,80 | 9,30 | 13,60 | |
| | m ² | 2,06 | 4,12 | 6,17 | |
| | n | 1,33 | 1,30 | 1,32 | |

W=heat output per meter / kg=weight per meter / l=content per meter / m²=surface per meter / n=exponent
The manufacturer reserves the right to alter any of the specifications shown in this document without prior notice.

HYGIENE ECO

Heat outputs according to EN442



EN442 (W) 70/50/20°C

EN442 (W) 55/45/20°C

EN442 (W) 75/65/20°C

Stelrad BV/PL24/0020/EC007

| Height | 400 | | | |
|--------|------|-------|-------|-----|
| | Type | 10 | 20 | 30 |
| 400 | | | 220 | 322 |
| | | | 153 | 221 |
| | | | 293 | 430 |
| 500 | 161 | 275 | 402 | |
| | 111 | 191 | 276 | |
| | 215 | 366 | 537 | |
| 600 | 193 | 330 | 482 | |
| | 133 | 229 | 331 | |
| | 258 | 439 | 644 | |
| 700 | 226 | 385 | 563 | |
| | 155 | 267 | 387 | |
| | 301 | 512 | 752 | |
| 800 | 258 | 441 | 643 | |
| | 178 | 305 | 442 | |
| | 344 | 586 | 859 | |
| 900 | 290 | 496 | 723 | |
| | 200 | 343 | 498 | |
| | 387 | 659 | 967 | |
| 1000 | 322 | 551 | 804 | |
| | 222 | 381 | 553 | |
| | 430 | 732 | 1.074 | |
| 1100 | 354 | 605 | 884 | |
| | 244 | 419 | 608 | |
| | 473 | 805 | 1.181 | |
| 1200 | 387 | 660 | 964 | |
| | 267 | 457 | 663 | |
| | 516 | 878 | 1.289 | |
| 1400 | 451 | 771 | 1.125 | |
| | 311 | 534 | 774 | |
| | 602 | 1.025 | 1.504 | |
| 1600 | 516 | 881 | 1.285 | |
| | 355 | 610 | 884 | |
| | 688 | 1.171 | 1.718 | |

| 500 | | |
|-----|-------|-------|
| 10 | 20 | 30 |
| | 264 | 381 |
| | 183 | 262 |
| | 352 | 510 |
| 194 | 331 | 477 |
| 134 | 229 | 328 |
| 261 | 440 | 638 |
| 234 | 396 | 572 |
| 161 | 274 | 393 |
| 313 | 527 | 765 |
| 273 | 462 | 667 |
| 188 | 319 | 458 |
| 365 | 615 | 893 |
| 312 | 528 | 763 |
| 214 | 365 | 524 |
| 417 | 703 | 1.020 |
| 351 | 594 | 858 |
| 241 | 411 | 590 |
| 469 | 791 | 1.148 |
| 389 | 660 | 953 |
| 268 | 457 | 655 |
| 521 | 879 | 1.275 |
| 428 | 726 | 1.048 |
| 294 | 502 | 720 |
| 573 | 967 | 1.403 |
| 467 | 793 | 1.144 |
| 321 | 548 | 786 |
| 625 | 1.055 | 1.530 |
| 545 | 925 | 1.334 |
| 375 | 639 | 917 |
| 729 | 1.231 | 1.785 |
| 623 | 1.056 | 1.525 |
| 428 | 730 | 1.048 |
| 834 | 1.406 | 2.040 |

| 600 | | |
|-----|-------|-------|
| 10 | 20 | 30 |
| | 307 | 439 |
| | 212 | 302 |
| | 409 | 588 |
| 227 | 384 | 549 |
| 156 | 265 | 377 |
| 305 | 512 | 735 |
| 273 | 461 | 659 |
| 187 | 318 | 452 |
| 366 | 614 | 882 |
| 318 | 537 | 769 |
| 218 | 371 | 528 |
| 427 | 716 | 1.029 |
| 364 | 614 | 879 |
| 249 | 424 | 603 |
| 488 | 818 | 1.176 |
| 409 | 691 | 988 |
| 281 | 477 | 679 |
| 549 | 921 | 1.323 |
| 455 | 768 | 1.098 |
| 312 | 530 | 754 |
| 610 | 1.023 | 1.470 |
| 500 | 844 | 1.208 |
| 343 | 583 | 829 |
| 671 | 1.125 | 1.617 |
| 546 | 921 | 1.318 |
| 374 | 636 | 905 |
| 732 | 1.228 | 1.764 |
| 637 | 1.074 | 1.537 |
| 436 | 742 | 1.056 |
| 854 | 1.432 | 2.058 |
| 728 | 1.228 | 1.757 |
| 499 | 848 | 1.206 |
| 976 | 1.637 | 2.352 |

HYGIENE ECO

Art. 0692 09 20 04

On the label:
 HYGIENE ECO T20-30: 0692
 T10: 0691

HYGIENE ECO L (Left) T20-30: 0690
 T10: 0693

| Height | 700 | | |
|-------------|---------------------|-----------------------|-------------------------|
| | 10 | 20 | 30 |
| 400 | | 350 241 467 | 496 340 664 |
| 500 | 261 178 350 | 438 302 584 | 620 425 830 |
| 600 | 312 214 419 | 525 362 700 | 743 510 995 |
| 700 | 364 249 489 | 612 422 817 | 867 595 1.161 |
| 800 | 416 285 559 | 700 482 934 | 991 680 1.327 |
| 900 | 469 321 629 | 787 542 1.050 | 1.115 765 1.493 |
| 1000 | 521 356 699 | 874 603 1.167 | 1.238 850 1.659 |
| 1100 | 573 392 769 | 962 663 1.284 | 1.362 935 1.825 |
| 1200 | 625 428 839 | 1.049 723 1.400 | 1.486 1.020 1.991 |
| 1400 | 729 499 979 | 1.224 844 1.634 | 1.734 1.190 2.323 |
| 1600 | 833 570 1.118 | 1.399 964 1.867 | 1.981 1.359 2.654 |

| Height | 900 | | |
|-------------|-----------------------|-------------------------|-------------------------|
| | 10 | 20 | 30 |
| 400 | | 436 299 583 | 607 415 814 |
| 500 | 325 222 439 | 545 374 729 | 758 519 1.017 |
| 600 | 391 267 526 | 654 449 875 | 909 623 1.220 |
| 700 | 456 311 614 | 763 524 1.021 | 1.061 727 1.424 |
| 800 | 522 356 702 | 872 599 1.166 | 1.213 830 1.627 |
| 900 | 586 400 789 | 981 674 1.312 | 1.365 935 1.831 |
| 1000 | 652 444 877 | 1.090 749 1.458 | 1.516 1.038 2.034 |
| 1100 | 717 489 965 | 1.199 824 1.604 | 1.667 1.142 2.237 |
| 1200 | 782 533 1.052 | 1.308 899 1.750 | 1.820 1.246 2.441 |
| 1400 | 913 622 1.228 | 1.526 1.048 2.041 | 2.123 1.454 2.848 |
| 1600 | 1.043 711 1.403 | 1.744 1.198 2.333 | 2.426 1.661 3.254 |

General information

EN442 (W) 70/50/20°C




EN442 (W) 55/45/20°C

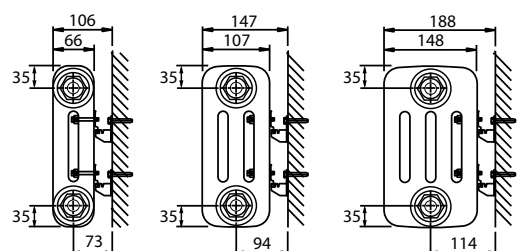
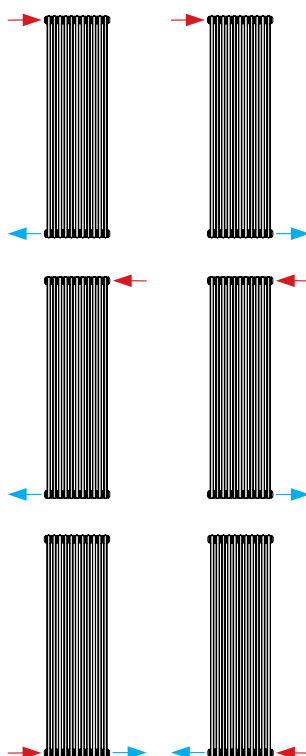
EN442 (W) 75/65/20°C

COLUMN

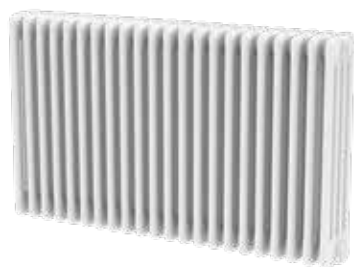
The Column is the retro radiator with contemporary thermal comfort. The beautiful design comes into its own in both classic and modern interiors. The radiator is available in a horizontal and vertical version.

Product: column radiator with 4 connections
Also supplied: Brackets with anti-lift, 4 pieces up to length 854 mm and 6 pieces from length 1.038 mm, screws, plugs, air vent, blind plug and installation instructions
Connections: 4 x 1/2" female side connection.
Packaging: Every radiator is sturdily wrapped in plastic. The radiator's characteristics are shown on the label: type – height – length.
Warranty: 10 years, as long as the installation instructions have been followed and Stelrad's warranty conditions have been met.
Paint process: All radiators are degreased, phosphated and powder-coated in Stelrad white 9016 as standard.
Colours: Stelrad white 9016 + 35 different Stelrad colours and about 200 RAL-colours are possible
Max. operating pressure: 10 bar (tested to 13 bar)
Max. operating temperature: 110 °C
Conformity: in accordance with EN442
Quality assurance: NF
Number of columns: 2 | 3 | 4
Heights: 300 | 500 | 600 | 750 and 1.800 | 2.000 | 2.500 mm
Lengths: 440 – 1.866 mm and 348 | 440 mm
Depths: 66 | 107 | 148 mm

| Height | H 1800 | H 2000 | H 2500 | |
|-------------------------|---|---|---|--------|
| Columns | 2 | 2 | 2 | |
| Vertical version |  |  |  | |
| Length | | | | |
| L 348 | W | 666 | 742 | 939 |
| | W | 455 | 507 | 643 |
| | W | 894 | 996 | 1.261 |
| | kg | 18,2 | 20,3 | 25,2 |
| | l | 11,2 | 11,9 | 14,7 |
| L 440 | n | 1,3205 | 1,3202 | 1,3194 |
| | W | 856 | 954 | 1.208 |
| | W | 585 | 652 | 826 |
| | W | 1.149 | 1.281 | 1.621 |
| | kg | 23,4 | 26,1 | 32,4 |
| l | 14,4 | 15,3 | 18,9 | |
| n | 1,3205 | 1,3202 | 1,3194 | |



DESIGN RANGE



EN442 (W) 70/50/20°C
 EN442 (W) 55/45/20°C
 EN442 (W) 75/65/20°C



On the label:
 COLUMN:

Art. 7006 0300 03 0440
 7006 ┌───┐
 H300 ┌───┐
 3 Columns ┌───┐
 L440 └───┘

| Height | H 300 | | H 500 | | | H 600 | | | H 750 | | |
|--------------------|-------|--------|--------|--------|--------|--------|--------|-------|--------|--------|--------|
| Columns | 3 | 4 | 2 | 3 | 4 | 2 | 3 | 4 | 3 | 4 | |
| Horizontal version | | | | | | | | | | | |
| Length | | | | | | | | | | | |
| L 440 | W | 225 | 288 | | 351 | 464 | | 413 | 550 | | 677 |
| | W | 157 | 201 | | 244 | 323 | | 287 | 382 | | 469 |
| | W | 298 | 381 | | 464 | 615 | | 547 | 730 | | 900 |
| | kg | 63 | 81 | | 99 | 135 | | 117 | 162 | | 198 |
| | l | 54 | 72 | | 72 | 99 | | 9 | 108 | | 135 |
| | n | 1,2495 | 1,2517 | | 1,2585 | 1,2626 | | 1,263 | 1,2681 | | 1,2762 |
| L 624 | W | 326 | 416 | 373 | 507 | 670 | 440 | 596 | 794 | | 978 |
| | W | 227 | 290 | 260 | 353 | 466 | 306 | 415 | 552 | | 677 |
| | W | 430 | 550 | 494 | 671 | 888 | 582 | 790 | 1.054 | | 1.300 |
| | kg | 9,1 | 11,7 | 10,4 | 14,3 | 19,5 | 11,7 | 16,9 | 23,4 | | 28,6 |
| | l | 7,8 | 10,4 | 7,8 | 10,4 | 14,3 | 9,1 | 13 | 15,6 | | 19,5 |
| | n | 1,2495 | 1,2517 | 1,2553 | 1,2585 | 1,2626 | 1,2611 | 1,263 | 1,2681 | | 1,2762 |
| L 854 | W | 451 | 576 | 517 | 701 | 928 | 609 | 826 | 1.100 | 1.010 | 1.354 |
| | W | 315 | 402 | 360 | 488 | 645 | 423 | 574 | 764 | 701 | 938 |
| | W | 596 | 761 | 684 | 929 | 1.229 | 806 | 1.094 | 1.460 | 1.341 | 1.800 |
| | kg | 12,6 | 16,2 | 14,4 | 19,8 | 27 | 16,2 | 23,4 | 32,4 | 30,6 | 39,6 |
| | l | 10,8 | 14,4 | 10,8 | 14,4 | 19,8 | 12,6 | 18 | 21,6 | 19,8 | 27 |
| | n | 1,2495 | 1,2517 | 1,2553 | 1,2585 | 1,2626 | 1,2611 | 1,263 | 1,2681 | 1,2699 | 1,2762 |
| L 1038 | W | 551 | 704 | 632 | 857 | 1.134 | 744 | 1.009 | 1.344 | 1.235 | 1.655 |
| | W | 385 | 491 | 440 | 597 | 788 | 518 | 702 | 934 | 857 | 1.146 |
| | W | 728 | 931 | 836 | 1.135 | 1.503 | 986 | 1.338 | 1.784 | 1.639 | 2.200 |
| | kg | 15,4 | 19,8 | 17,6 | 24,2 | 33 | 19,8 | 28,6 | 39,6 | 37,4 | 48,4 |
| | l | 13,2 | 17,6 | 13,2 | 17,6 | 24,2 | 15,4 | 22 | 26,4 | 24,2 | 33 |
| | n | 1,2495 | 1,2517 | 1,2553 | 1,2585 | 1,2626 | 1,2611 | 1,263 | 1,2681 | 1,2699 | 1,2762 |
| L 1268 | W | 676 | 864 | 775 | 1.052 | 1.391 | 913 | 1.238 | 1.650 | 1.515 | 2.031 |
| | W | 472 | 603 | 540 | 733 | 968 | 635 | 861 | 1.146 | 1.051 | 1.407 |
| | W | 894 | 1.142 | 1.026 | 1.393 | 1.844 | 1.210 | 1.642 | 2.190 | 2.012 | 2.700 |
| | kg | 18,9 | 24,3 | 21,6 | 29,7 | 40,5 | 24,3 | 35,1 | 48,6 | 45,9 | 59,4 |
| | l | 16,2 | 21,6 | 16,2 | 21,6 | 29,7 | 18,9 | 27 | 32,4 | 29,7 | 40,5 |
| | n | 1,2495 | 1,2517 | 1,2553 | 1,2585 | 1,2626 | 1,2611 | 1,263 | 1,2681 | 1,2699 | 1,2762 |
| L 1452 | W | 776 | | | 1.208 | | | 1.422 | | 1.740 | |
| | W | 542 | | | 841 | | | 989 | | 1.207 | |
| | W | 1.026 | | | 1.600 | | | 1.885 | | 2.310 | |
| | kg | 21,7 | | | 34,1 | | | 40,3 | | 52,7 | |
| | l | 18,6 | | | 24,8 | | | 31 | | 34,1 | |
| | n | 1,2495 | | | 1,2585 | | | 1,263 | | 1,2699 | |
| L 1866 | W | 1.002 | | | 1.559 | | | 1.835 | | 2.245 | |
| | W | 699 | | | 1.085 | | | 1.276 | | 1.558 | |
| | W | 1.324 | | | 2.064 | | | 2.432 | | 2.980 | |
| | kg | 28 | | | 44 | | | 52 | | 68 | |
| | l | 24 | | | 32 | | | 40 | | 44 | |
| | n | 1,2495 | | | 1,2585 | | | 1,263 | | 1,2699 | |

Core assortment (Stelrad white 9016) available ex factory within 10 days.
 Core assortment is subject to change, please refer to www.stelrad.eu for the latest information.
 Delivery time depends on the model, please refer to your distributor.

General information



Art. 7505 1800 01 0538
 On the label: FLAT TUBE ON TUBE VERTICAL: 7505 — H1800 — L538

HORTA VERTICAL

Its vertical lines leave no one untouched.

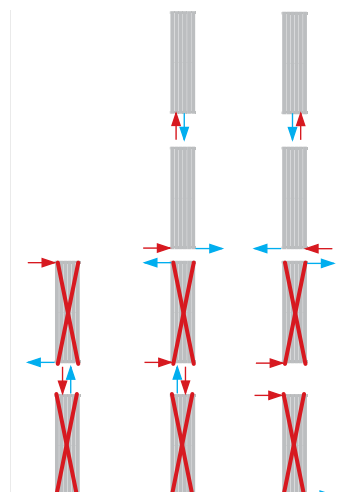
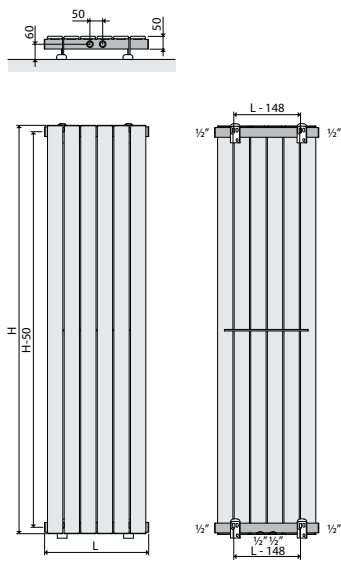
- Product: Verona Vertical, vertical flat tube-on-tube design radiator
- Also supplied: 4 white brackets (in chrome for any other radiator colour), anti-lift clip, bracket hidens, screws, plugs, design air vent and design blind plug, blind plugs and installation instructions
- Connections: 4 x 1/2" female connection (centre connection included)
- Packaging: Every radiator is sturdily packaged in high-quality cardboard and wrapped in plastic. The radiator's characteristics are shown on the label: height – length.
- Warranty: 10 years, as long as the installation instructions have been followed, Stelrad's warranty conditions have been met and the radiator is installed outside the splash area.
- Paint process: All radiators are degreased, phosphated and powder-coated in Stelrad white 9016 as standard.
- Colours: Stelrad white 9016 + 35 different Stelrad colours and about 200 RAL-colours are possible
- Max. operating pressure: 4 bar (tested to 5,2 bar)
- Max. operating temperature: 95 °C
- Conformity: in accordance with EN442
- Heights: 1.600 | 1.800 | 2.000 mm
- Number of tubes: 6 | 8 | 10 | 12
- Lengths: 408 | 538 | 668 | 798 mm
- Tubes: vertical, 60 x 10 mm flat section
- Collector: horizontal, O-section, diameter 38 mm

- EN442 (W) 70/50/20°C**
- EN442 (W) 55/45/20°C**
- EN442 (W) 75/65/20°C**



| Length | | 408 | 538 | 668 | 798 |
|--------|----------------|-------|-------|-------|-------|
| H1600 | W | 512 | 683 | 853 | 1.024 |
| | W | 350 | 467 | 584 | 701 |
| | W | 687 | 916 | 1.145 | 1.374 |
| | kg | 15,70 | 20,80 | 26,00 | 31,20 |
| | l | 4,70 | 6,30 | 7,80 | 9,40 |
| | m ² | 1,46 | 1,94 | 2,42 | 2,91 |
| | n | 1,32 | 1,32 | 1,32 | 1,32 |
| Tubes | 6 | 8 | 10 | 12 | |
| H1800 | W | 574 | 765 | 956 | 1.148 |
| | W | 393 | 524 | 655 | 786 |
| | W | 770 | 1.026 | 1.283 | 1.540 |
| | kg | 17,50 | 23,20 | 29,00 | 34,80 |
| | l | 5,20 | 6,90 | 8,60 | 10,40 |
| | m ² | 1,63 | 2,17 | 2,71 | 3,25 |
| | n | 1,32 | 1,32 | 1,32 | 1,32 |
| Tubes | 6 | 8 | 10 | 12 | |
| H2000 | W | 634 | 845 | 1.057 | 1.269 |
| | W | 434 | 579 | 724 | 869 |
| | W | 851 | 1.134 | 1.418 | 1.702 |
| | kg | 19,30 | 25,60 | 32,00 | 38,40 |
| | l | 5,70 | 7,60 | 9,50 | 11,40 |
| | m ² | 1,79 | 2,39 | 2,99 | 3,58 |
| | n | 1,32 | 1,32 | 1,32 | 1,32 |
| Tubes | 6 | 8 | 10 | 12 | |

Stelrad BV/PLZ/0020/EC07



General information



Art. 7004 1771 01 0450
 On the label: FLAT TUBE ON TUBE HORIZONTAL: 7004 — HI1771 — L450

ALMADA

A functional bathroom radiator with a prestigious image.

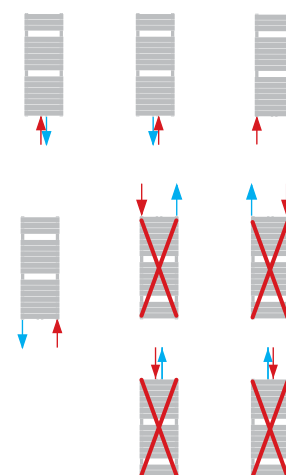
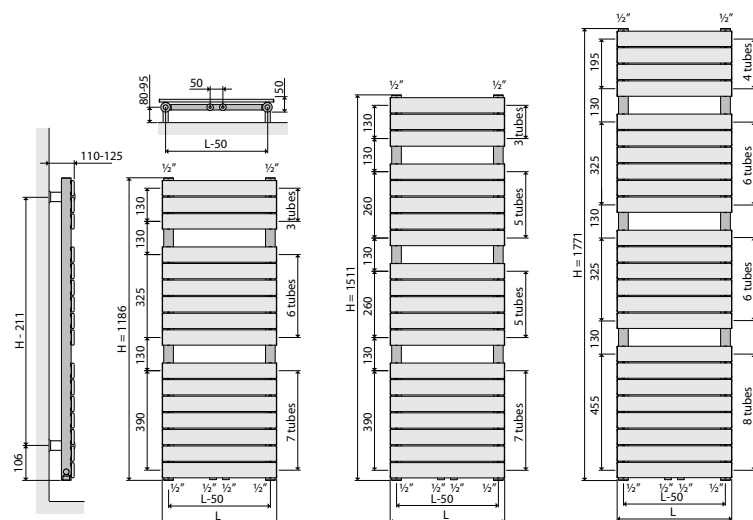
- Product:** Almada, vertical flat tube-on-tube design radiator
- Also supplied:** 4 brackets, screws, plugs, air vent, blind plugs and installation instructions
- Connections:** 4 x 1/2" female connection (centre connection included)
- Packaging:** Every radiator is sturdily packaged in high-quality cardboard and wrapped in plastic. The radiator's characteristics are shown on the label: height – length.
- Warranty:** 10 years, as long as the installation instructions have been followed, Stelrad's warranty conditions have been met and the radiator is installed outside the splash area.
- Paint process:** All radiators are degreased, phosphated and powder-coated in Stelrad white 9016 as standard.
- Colours:** Stelrad white 9016 + 35 different Stelrad colours and about 200 RAL-colours are possible
- Max. operating pressure:** 4 bar (tested to 5,2 bar)
- Max. operating temperature:** 95 °C
- Conformity:** in accordance with EN442
- Heights:** 1.186 | 1.511 | 1.771 mm
- Number of tubes:** 16 | 20 | 24
- Lengths:** 450 | 600 mm
- Tubes:** horizontal, 60 x 10 mm flat section
- Collector:** vertical, O-section, diameter 38 mm

| | |
|-----------|------------|
| EN442 (W) | 70/50/20°C |
| EN442 (W) | 55/45/20°C |
| EN442 (W) | 75/65/20°C |



| | Length | 450 | 600 |
|---------|----------------|-------|-------|
| HI 186 | W | 401 | 527 |
| | W | 280 | 370 |
| | W | 530 | 693 |
| | kg | 14,10 | 17,62 |
| | l | 5,20 | 6,15 |
| | m ² | 1,32 | 1,65 |
| HI 1511 | n | 1,25 | 1,23 |
| | Tubes | 16 | 16 |
| | W | 505 | 660 |
| | W | 354 | 464 |
| | W | 666 | 869 |
| | kg | 17,60 | 21,94 |
| HI 1771 | l | 6,30 | 7,55 |
| | m ² | 1,65 | 2,08 |
| | n | 1,24 | 1,23 |
| | Tubes | 20 | 20 |
| | W | 589 | 767 |
| | W | 413 | 538 |
| HI 1771 | W | 777 | 1.010 |
| | kg | 20,98 | 26,07 |
| | l | 7,64 | 9,15 |
| | m ² | 1,97 | 2,48 |
| | n | 1,24 | 1,23 |
| | Tubes | 24 | 24 |

Stelrad BV/PLZ4/0020/EC07



General information



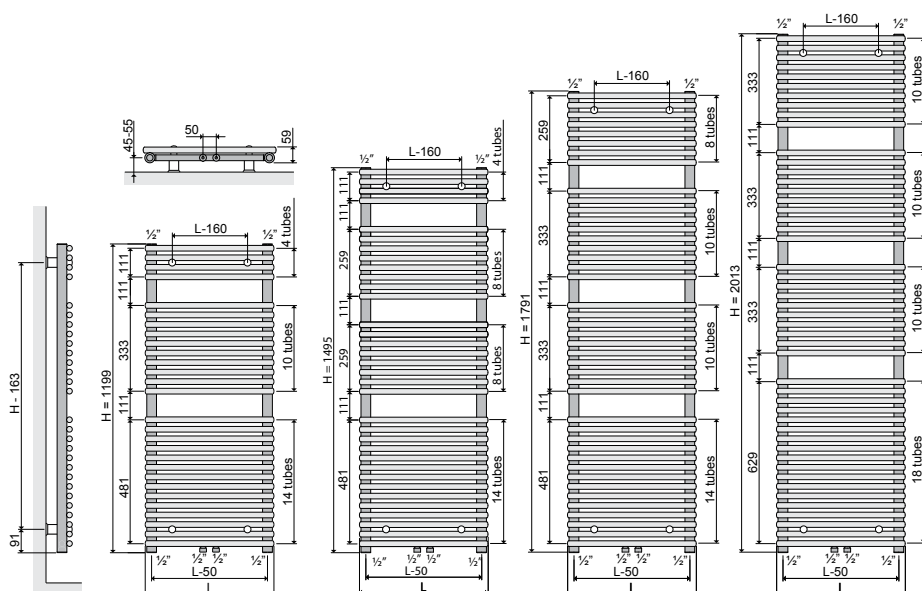
Art. 7001 1791 01 0500
 On the label:
 ROUND TUBE ON TUBE: 7001 — H1791 — SINGLE: 01 — L500

GILIA SINGLE

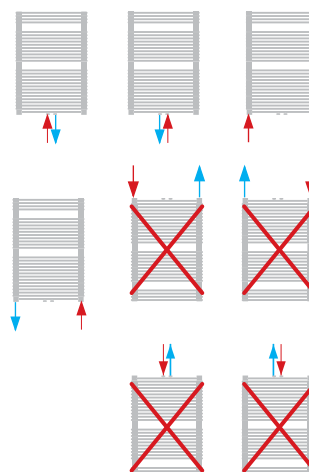
A contemporary and slick design for bathroom and kitchen.

- Product: Gilia Single, vertical round tube-on-tube design radiator
- Also supplied: 4 white brackets (in chrome for any other radiator colour), screws, plugs, air vent, blind plugs and installation instructions
- Connections: 4 x 1/2" female connection (centre connection included)
- Packaging: Every radiator is sturdily packaged in high-quality cardboard and wrapped in plastic. The radiator's characteristics are shown on the label: height – length.
- Warranty: 10 years, as long as the installation instructions have been followed, Stelrad's warranty conditions have been met and the radiator is installed outside the splash area.
- Paint process: All radiators are degreased, phosphated and powder-coated in Stelrad white 9016 as standard.
- Colours: Stelrad white 9016 + 35 different Stelrad colours and about 200 RAL-colours are possible
- Max. operating pressure: 6 bar (tested to 7,8 bar)
- Max. operating temperature: 95 °C
- Conformity: in accordance with EN442
- Heights: 1.199 | 1.495 | 1.791 | 2.013 mm
- Number of tubes: 28 | 34 | 42 | 48
- Lengths: 500 | 600 | 750 | 900 mm
- Tubes: horizontal, O-section, diameter 22 mm
- Collector: vertical, O-section, diameter 38 mm

- EN442 (W) 70/50/20°C**
- EN442 (W) 55/45/20°C**
- EN442 (W) 75/65/20°C**



| Length | 500 | 600 | 750 | 900 | |
|--------|----------------|-------|-------|-------|-------|
| H1199 | W | 516 | 609 | 749 | |
| | W | 365 | 433 | 536 | |
| | W | 675 | 794 | 972 | |
| | kg | 11,77 | 13,52 | 16,14 | |
| | l | 6,29 | 7,07 | 8,25 | |
| | m ² | 1,28 | 1,47 | 1,76 | |
| H1495 | n | 1,20 | 1,19 | 1,17 | |
| | Tubes | 28 | 28 | 28 | |
| | W | 636 | 747 | 915 | |
| | W | 450 | 529 | 651 | |
| | W | 833 | 976 | 1.192 | |
| | kg | 14,18 | 16,35 | 19,59 | |
| H1791 | l | 7,80 | 8,80 | 10,30 | |
| | m ² | 1,56 | 1,79 | 2,15 | |
| | n | 1,21 | 1,20 | 1,19 | |
| | Tubes | 34 | 34 | 34 | |
| | W | 750 | 885 | 1.089 | 1.297 |
| | W | 526 | 625 | 777 | 934 |
| H2013 | W | 986 | 1.158 | 1.415 | 1.673 |
| | kg | 17,83 | 20,43 | 24,32 | 28,21 |
| | l | 9,35 | 10,54 | 12,33 | 14,12 |
| | m ² | 1,91 | 2,20 | 2,64 | 3,07 |
| | n | 1,23 | 1,21 | 1,17 | 1,14 |
| | Tubes | 42 | 42 | 42 | 42 |
| H2013 | W | 832 | 987 | 1.223 | 1.463 |
| | W | 582 | 696 | 874 | 1.061 |
| | W | 1.099 | 1.294 | 1.586 | 1.878 |
| | kg | 20,38 | 23,35 | 27,79 | 32,24 |
| | l | 10,68 | 12,05 | 14,09 | 16,14 |
| | m ² | 2,18 | 2,51 | 3,01 | 3,50 |
| H2013 | n | 1,24 | 1,21 | 1,17 | 1,12 |
| | Tubes | 48 | 48 | 48 | 48 |



Stelrad BV/PLZ/0020/EC07

General information



Art. 7001 1791 02 0500
 On the label:
 ROUND TUBE ON TUBE: 7001
 H1791
 DOUBLE: 02
 L500

GILIA DOUBLE

The double version for unmatched comfort.

- Product:** Gilia Double, vertical round tube-on-tube design radiator
- Also supplied:** 4 white brackets (in chrome for any other radiator colour), screws, plugs, design air vent and design blind plug, blind plugs and installation instructions
- Connections:** 4 x 1/2" female connection (centre connection included)
- Packaging:** Every radiator is sturdily packaged in high-quality cardboard and wrapped in plastic. The radiator's characteristics are shown on the label: height – length.
- Warranty:** 10 years, as long as the installation instructions have been followed, Stelrad's warranty conditions have been met and the radiator is installed outside the splash area.
- Paint process:** All radiators are degreased, phosphated and powder-coated in Stelrad white 9016 as standard.
- Colours:** Stelrad white 9016 + 35 different Stelrad colours and about 200 RAL-colours are possible

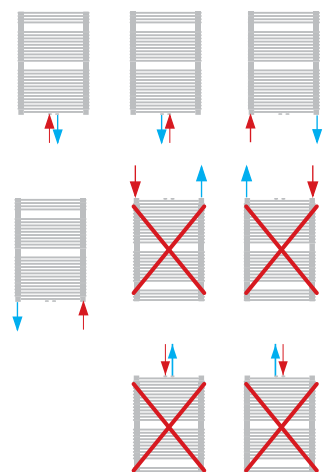
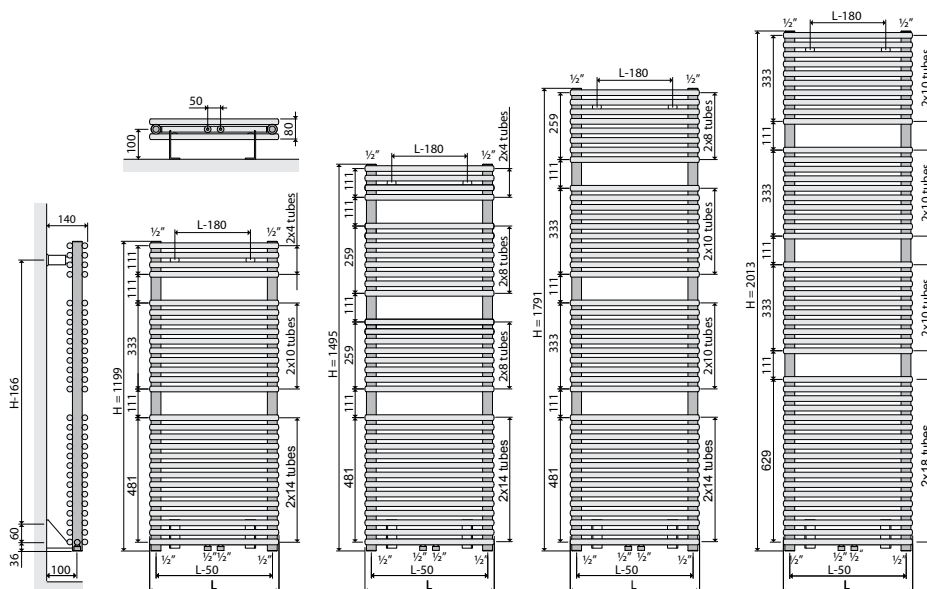
- EN442 (W) 70/50/20°C**
- EN442 (W) 55/45/20°C**
- EN442 (W) 75/65/20°C**



- Max. operating pressure:** 6 bar (tested to 7,8 bar)
- Max. operating temperature:** 95 °C
- Conformity:** in accordance with EN442
- Heights:** 1.199 | 1.495 | 1.791 | 2.013 mm
- Number of tubes:** 56 | 68 | 84 | 96
- Lengths:** 500 | 600 | 750 | 900 mm
- Tubes:** horizontal, O-section, diameter of 22 mm
- Collector:** vertical, O-section, diameter 38 mm

| Length | 500 | 600 | 750 | 900 | |
|--------|------|-------|-------|-------|-------|
| H1199 | W | 732 | 879 | 1.101 | |
| | W | 514 | 619 | 778 | |
| | W | 963 | 1.154 | 1.441 | |
| | kg | 21,14 | 24,61 | 29,82 | |
| | l | 11,18 | 12,95 | 15,59 | |
| | m² | 2,26 | 2,65 | 3,23 | |
| H1495 | W | 894 | 1.071 | 1.338 | |
| | W | 625 | 752 | 946 | |
| | W | 1.179 | 1.408 | 1.751 | |
| | kg | 25,70 | 29,90 | 36,20 | |
| | l | 13,45 | 15,56 | 18,73 | |
| | m² | 2,76 | 3,23 | 3,93 | |
| H1791 | W | 1.062 | 1.269 | 1.583 | 1.899 |
| | W | 743 | 891 | 1.118 | 1.350 |
| | W | 1.402 | 1.670 | 2.073 | 2.475 |
| | kg | 31,75 | 36,94 | 44,72 | 52,50 |
| | l | 16,62 | 19,23 | 23,13 | 27,04 |
| | m² | 3,39 | 3,97 | 4,85 | 5,72 |
| H2013 | W | 1.194 | 1.424 | 1.772 | 2.123 |
| | W | 835 | 1.000 | 1.252 | 1.509 |
| | W | 1.576 | 1.874 | 2.321 | 2.768 |
| | kg | 36,14 | 42,01 | 50,82 | 59,63 |
| | l | 19,11 | 22,13 | 26,65 | 31,18 |
| | m² | 3,87 | 4,53 | 5,53 | 6,53 |
| n | 1,24 | 1,23 | 1,21 | 1,19 | |
| Tubes | 96 | 96 | 96 | 96 | |

Stelrad BV/PLZ4/0020/EC07



General information

PLANAR SLIM ECO

The age of radiators being hidden came to a definite end with the arrival of the Planar Slim ECO. You'll actually want to highlight this radiator. The bi-colour design with a completely smooth front and recessed black upper grille and side panels gives the radiator an unrivalled look. Its high-quality finish offers you an attractive and warm radiator for years on end. Use it in combination with the Vertex Slim to create a light and spacious feel throughout your home.

| | |
|--------------------------------------|---|
| Product: | decorative horizontal low-temperature valve radiator with serial flow technology, both a centre and lateral bottom connection and a preset valve insert, which can be fitted on the left or right side of the radiator |
| Finishing: | completely smooth design with a jointless front and recessed black upper grille and side panels |
| Pre-installed: | preset Heimeier 4368 valve insert, ECO air vent and blind plugs |
| Valve insert: | The integrated adjustable valve insert is factory-fit on the right side of the radiator; CEN certified, tested in accordance with EN215 and compatible with thermostatic heads M30 x 1,5 mm. The valve insert can also be fitted on the left of the ECO radiator. The thermostatic valve insert is factory-set in relation to the size of the radiator. This presetting ensures optimum throughput in the radiator. Factory setting for two-pipe systems, also suitable for one-pipe systems (as long as the valve insert is adjusted to position 8). |
| Also supplied: | design thermostatic head, valve insert spindle extension, wall brackets, saddle clips, screws, plugs and installation instructions |
| Connections: | 2 x ¾" male Eurocone centre connection and 2 x ½" female lateral bottom connection |
| Lugs: | 2 pairs of mounting lugs up to 1.600 mm and 3 pairs from 1.800 mm |
| Packaging: | Every radiator is sturdily packaged with protective foam-filled bags, in high-quality cardboard and wrapped in plastic. The radiator's characteristics are shown on the label: type – height – length. |
| Warranty: | 10 years, as long as the installation instructions have been followed and Stelrad's warranty conditions have been met. |
| Paint process: | All radiators are degreased, phosphated, cathoretically primed and powder-coated in Stelrad SNI 70 black as standard. |
| Colours front panel: | Stelrad white 9016 + 35 different Stelrad colours and about 200 RAL-colours are possible |
| Colour side panels and upper grille: | SNI 70 black |
| Max. operating pressure: | 10 bar (tested to 13 bar) |
| Max. operating temperature: | 110 °C |
| Conformity: | in accordance with EN442 |
| Types: | 21 22 |
| Heights: | 545 645 mm |
| Lengths: | 670 870 1.070 1.270 1.470 1.670 1.870 2.070 mm |
| Depths: | 96 119 mm |

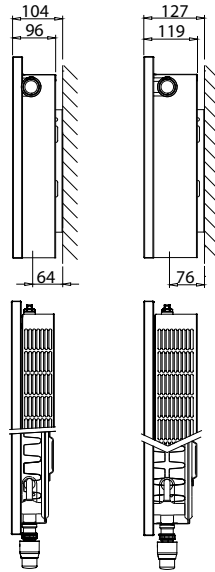


Type overview

Calculation factor
per nominal meter
at 75/65/20°C
according to EN442

Characteristic equation:

$$\Phi = K_M \times \Delta T^n$$



| Height | | Type 21 | Type 22 | Nominal Height |
|--------|----|---------|---------|----------------|
| 545 | W | 1.024 | 1.304 | 500 |
| | kg | 29,31 | 32,73 | |
| | l | 5,80 | 5,83 | |
| | m² | 4,31 | 6,33 | |
| | n | 1,30 | 1,29 | |
| 645 | W | 1.184 | 1.498 | 600 |
| | kg | 34,80 | 38,80 | |
| | l | 6,80 | 6,90 | |
| | m² | 5,24 | 7,74 | |
| | n | 1,31 | 1,30 | |

(remark: Nominal length = indicated length - 70 mm)

W=heat output per nom. meter / kg=weight per nom. Meter / l=content per nom. meter / m²=surface per nom. meter / n=exponent
The manufacturer reserves the right to alter any of the specifications shown in this document without prior notice.

Heat outputs according to EN442

EN442 (W) 70/50/20°C

EN442 (W) 55/45/20°C

EN442 (W) 75/65/20°C

| Height | 545 | | 645 | | Height |
|--------|-------|-------|-------|-------|--------|
| | 21 | 22 | 21 | 22 | |
| 670 | 460 | 586 | 530 | 673 | 670 |
| | 317 | 404 | 364 | 463 | |
| | 614 | 782 | 710 | 899 | |
| 870 | 613 | 782 | 707 | 896 | 870 |
| | 422 | 539 | 486 | 617 | |
| | 819 | 1.043 | 947 | 1.198 | |
| 1070 | 767 | 978 | 885 | 1.121 | 1070 |
| | 528 | 674 | 607 | 771 | |
| | 1.024 | 1.304 | 1.184 | 1.498 | |
| 1270 | 920 | 1.173 | 1.062 | 1.345 | 1270 |
| | 634 | 809 | 729 | 926 | |
| | 1.229 | 1.565 | 1.421 | 1.798 | |
| 1470 | 1.074 | 1.369 | 1.239 | 1.569 | 1470 |
| | 739 | 944 | 850 | 1.079 | |
| | 1.434 | 1.826 | 1.658 | 2.097 | |
| 1670 | 1.226 | 1.564 | 1.415 | 1.793 | 1670 |
| | 845 | 1.079 | 972 | 1.234 | |
| | 1.638 | 2.086 | 1.894 | 2.397 | |
| 1870 | 1.380 | 1.760 | 1.592 | 2.017 | 1870 |
| | 950 | 1.214 | 1.093 | 1.388 | |
| | 1.843 | 2.347 | 2.131 | 2.696 | |
| 2070 | 1.533 | 1.955 | 1.769 | 2.242 | 2070 |
| | 1.056 | 1.349 | 1.215 | 1.542 | |
| | 2.048 | 2.608 | 2.368 | 2.996 | |

Steelrad BV/PL24/0020/E007

Art. 0440 06 22 12
On the label:
SLIM ECO: 0440 H645 T22 L1270



General information

PLANAR ECO

The Planar ECO radiator unites design with our serial flow technology (water flows first through the front panel) and is perfectly suited for heating systems that work with low operating temperatures.

This ECO technology results in high energy efficiency, maximum radiation, faster heating rate and less waste of energy. The combination of this technology with the flat front, a design upper grille and side panels allows you to enjoy our green heat technology in style and luxury.

| | |
|-----------------------------|--|
| Product: | decorative Stelrad ECO valve radiator ideally suited for low-temperatures heating system and equipped with our serial flow technology, both a centre and lateral bottom connection, a preset valve insert (which can be fitted on the left or right side of the radiator) and with a decorative flat front |
| Finishing: | decorative flat front, upper grille and side panels |
| Pre-installed: | preset Heimeier 4368 or 4369 valve insert, ECO air vent and blind plugs |
| Valve insert: | The integrated adjustable valve insert (without thermostatic head) is factory-fit on the right side of the radiator, CEN certified, tested in accordance with EN215 and compatible with thermostatic heads M30 x 1,5 mm. The valve insert can also be fitted on the left side of the radiator. The thermostatic valve insert is factory-set in relation to the size of the radiator. This presetting ensures optimum throughput in the radiator. Factory setting for two-pipe systems, also suitable for one-pipe systems (as long as the valve insert is adjusted to position 8). |
| Also supplied: | VDI brackets with anti-lift (type Monclac), screws, plugs and installation instructions |
| Connections: | 2 x ¾" male eurocone centre connection and 2 x ½" female lateral bottom connection |
| Lugs: | 2 pairs of mounting lugs up to 1.600 mm and 3 pairs from 1.800 mm |
| Packaging: | Every radiator is sturdily packaged in high-quality cardboard and wrapped in plastic. The radiator's characteristics are shown on the label: type – height – length. |
| Warranty: | 10 years, as long as the installation instructions have been followed and Stelrad's warranty conditions have been met. |
| Paint process: | All radiators are degreased, phosphated, cathoretically primed and powder-coated in Stelrad white 9016 as standard. |
| Colours: | Stelrad white 9016 + 35 different Stelrad colours and about 200 RAL-colours are possible |
| Max. operating pressure: | 10 bar (tested to 13 bar) |
| Max. operating temperature: | 110 °C |
| Conformity: | in accordance with EN442 |
| Types: | 11 21 22 33 |
| Heights: | 300 400 500 600 700 900 mm |
| Lengths: | 400 – 3.000 mm |
| Depths: | 63 79 102 160 mm |

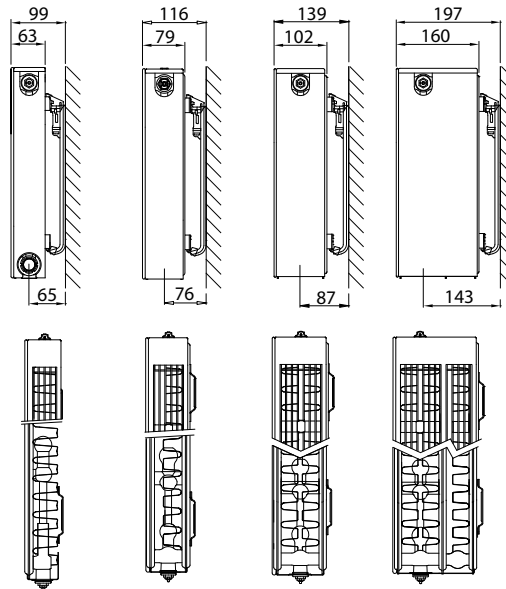


Type overview

Calculation factor
per meter
at 75/65/20°C
according to EN442

Characteristic equation:

$$\Phi = K_M \times \Delta T^n$$



| Height | | Type 11 | Type 21 | Type 22 | Type 33 | Height |
|--------|----------------|---------|---------|---------|---------|--------|
| 300 | W | 469 | | 887 | 1.259 | 300 |
| | kg | 11,88 | | 18,85 | 26,45 | |
| | l | 1,89 | | 2,90 | 4,35 | |
| | m ² | 2,09 | | 3,51 | 5,26 | |
| | n | 1,30 | | 1,27 | 1,31 | |
| 400 | W | 626 | 886 | 1.117 | 1.587 | 400 |
| | kg | 16,13 | 21,95 | 24,95 | 35,12 | |
| | l | 2,34 | 4,11 | 3,88 | 5,82 | |
| | m ² | 2,95 | 3,37 | 4,92 | 7,38 | |
| | n | 1,29 | 1,28 | 1,28 | 1,32 | |
| 500 | W | 774 | 1.053 | 1.333 | 1.893 | 500 |
| | kg | 20,39 | 27,28 | 31,05 | 43,78 | |
| | l | 2,80 | 4,93 | 4,87 | 7,28 | |
| | m ² | 3,80 | 4,31 | 6,33 | 9,49 | |
| | n | 1,28 | 1,30 | 1,29 | 1,35 | |
| 600 | W | 911 | 1.208 | 1.537 | 2.180 | 600 |
| | kg | 24,65 | 32,60 | 37,15 | 52,45 | |
| | l | 3,25 | 5,75 | 5,85 | 8,75 | |
| | m ² | 4,66 | 5,24 | 7,74 | 11,61 | |
| | n | 1,27 | 1,30 | 1,29 | 1,35 | |
| 700 | W | 1.038 | 1.353 | 1.732 | 2.452 | 700 |
| | kg | 28,91 | 37,85 | 42,82 | 61,13 | |
| | l | 3,77 | 6,63 | 6,73 | 10,19 | |
| | m ² | 5,51 | 6,18 | 9,15 | 13,72 | |
| | n | 1,28 | 1,29 | 1,30 | 1,34 | |
| 900 | W | 1.260 | 1.616 | 2.096 | 2.952 | 900 |
| | kg | 37,43 | 48,35 | 54,15 | 78,50 | |
| | l | 4,80 | 8,40 | 8,50 | 13,06 | |
| | m ² | 7,22 | 8,05 | 11,97 | 17,96 | |
| | n | 1,29 | 1,29 | 1,31 | 1,34 | |

W=heat output per meter / kg=weight per meter / l=content per meter / m²=surface per meter / n=exponent
The manufacturer reserves the right to alter any of the specifications shown in this document without prior notice.

PLANAR ECO

Heat outputs according to EN442



EN442 (W) 70/50/20°C

EN442 (W) 55/45/20°C

EN442 (W) 75/65/20°C

Stelrad_BV/PL24/0020/EC007

| Height | 300 | | |
|-------------|-----|-------|-------|
| | 11 | 22 | 33 |
| 400 | 141 | 267 | 376 |
| | 97 | 185 | 258 |
| | 188 | 355 | 504 |
| 500 | 175 | 334 | 470 |
| | 120 | 232 | 322 |
| | 235 | 444 | 630 |
| 600 | 210 | 400 | 563 |
| | 145 | 278 | 386 |
| | 281 | 532 | 755 |
| 700 | 245 | 467 | 657 |
| | 169 | 324 | 451 |
| | 328 | 621 | 881 |
| 800 | 280 | 534 | 751 |
| | 193 | 370 | 515 |
| | 375 | 710 | 1.007 |
| 900 | 316 | 601 | 845 |
| | 217 | 416 | 580 |
| | 422 | 798 | 1.133 |
| 1000 | 351 | 668 | 940 |
| | 241 | 463 | 644 |
| | 469 | 887 | 1.259 |
| 1100 | 386 | 735 | 1.034 |
| | 265 | 509 | 709 |
| | 516 | 976 | 1.385 |
| 1200 | 421 | 801 | 1.128 |
| | 290 | 555 | 773 |
| | 563 | 1.064 | 1.511 |
| 1400 | 491 | 935 | 1.316 |
| | 338 | 648 | 902 |
| | 657 | 1.242 | 1.763 |
| 1600 | | 1.068 | 1.503 |
| | | 740 | 1.030 |
| | | 1.419 | 2.014 |
| 1800 | | 1.202 | 1.691 |
| | | 833 | 1.159 |
| | | 1.597 | 2.266 |
| 2000 | | 1.335 | 1.879 |
| | | 926 | 1.288 |
| | | 1.774 | 2.518 |
| 2200 | | 1.468 | 2.067 |
| | | 1.018 | 1.417 |
| | | 1.951 | 2.770 |
| 2400 | | 1.602 | 2.255 |
| | | 1.111 | 1.546 |
| | | 2.129 | 3.022 |
| 2600 | | 1.736 | |
| | | 1.203 | |
| | | 2.306 | |
| 2800 | | 1.870 | |
| | | 1.296 | |
| | | 2.484 | |
| 3000 | | 2.003 | |
| | | 1.388 | |
| | | 2.661 | |

| 400 | | | |
|-------|-------|-------|-------|
| 11 | 21 | 22 | 33 |
| 187 | 266 | 336 | 473 |
| 129 | 185 | 232 | 323 |
| 250 | 354 | 447 | 635 |
| 235 | 333 | 419 | 591 |
| 162 | 231 | 290 | 404 |
| 313 | 443 | 559 | 794 |
| 282 | 400 | 504 | 709 |
| 194 | 277 | 348 | 484 |
| 376 | 532 | 670 | 952 |
| 328 | 466 | 588 | 827 |
| 226 | 323 | 407 | 565 |
| 438 | 620 | 782 | 1.111 |
| 376 | 533 | 672 | 945 |
| 259 | 370 | 465 | 646 |
| 501 | 709 | 894 | 1.270 |
| 422 | 600 | 755 | 1.063 |
| 291 | 415 | 523 | 726 |
| 563 | 797 | 1.005 | 1.428 |
| 469 | 667 | 839 | 1.181 |
| 324 | 462 | 581 | 807 |
| 626 | 886 | 1.117 | 1.587 |
| 516 | 733 | 924 | 1.300 |
| 356 | 508 | 639 | 888 |
| 689 | 975 | 1.229 | 1.746 |
| 563 | 800 | 1.007 | 1.417 |
| 388 | 554 | 697 | 969 |
| 751 | 1.063 | 1.340 | 1.904 |
| 657 | 933 | 1.175 | 1.654 |
| 453 | 646 | 813 | 1.130 |
| 876 | 1.240 | 1.564 | 2.222 |
| 751 | 1.067 | 1.343 | 1.890 |
| 518 | 739 | 929 | 1.292 |
| 1.002 | 1.418 | 1.787 | 2.539 |
| 845 | 1.200 | 1.511 | 2.127 |
| 583 | 831 | 1.046 | 1.453 |
| 1.127 | 1.595 | 2.011 | 2.857 |
| 939 | 1.333 | 1.679 | 2.363 |
| 647 | 924 | 1.162 | 1.615 |
| 1.252 | 1.772 | 2.234 | 3.174 |
| | 1.466 | 1.846 | 2.599 |
| | 1.016 | 1.278 | 1.776 |
| | 1.949 | 2.457 | 3.491 |
| | 1.599 | 2.015 | 2.835 |
| | 1.108 | 1.394 | 1.938 |
| | 2.126 | 2.681 | 3.809 |
| | | 2.182 | |
| | | 1.510 | |
| | | 2.904 | |
| | | 2.351 | |
| | | 1.627 | |
| | | 3.128 | |
| | | 2.518 | |
| | | 1.742 | |
| | | 3.351 | |

| 500 | | | |
|-------|-------|-------|-------|
| 11 | 21 | 22 | 33 |
| 233 | 315 | 400 | 560 |
| 161 | 217 | 276 | 380 |
| 310 | 421 | 533 | 757 |
| 291 | 393 | 500 | 700 |
| 201 | 271 | 345 | 475 |
| 387 | 527 | 667 | 947 |
| 349 | 473 | 600 | 841 |
| 241 | 325 | 414 | 571 |
| 464 | 632 | 800 | 1.136 |
| 407 | 551 | 700 | 981 |
| 282 | 379 | 483 | 666 |
| 542 | 737 | 933 | 1.325 |
| 465 | 630 | 800 | 1.121 |
| 322 | 433 | 552 | 761 |
| 619 | 842 | 1.066 | 1.514 |
| 524 | 709 | 900 | 1.261 |
| 362 | 488 | 622 | 856 |
| 697 | 948 | 1.200 | 1.704 |
| 582 | 788 | 1.000 | 1.401 |
| 402 | 542 | 691 | 951 |
| 774 | 1.053 | 1.333 | 1.893 |
| 639 | 866 | 1.100 | 1.541 |
| 442 | 596 | 759 | 1.046 |
| 851 | 1.158 | 1.466 | 2.082 |
| 698 | 946 | 1.200 | 1.682 |
| 483 | 650 | 829 | 1.141 |
| 929 | 1.264 | 1.600 | 2.272 |
| 814 | 1.103 | 1.400 | 1.962 |
| 563 | 758 | 967 | 1.331 |
| 1.084 | 1.474 | 1.866 | 2.650 |
| 930 | 1.260 | 1.600 | 2.242 |
| 643 | 867 | 1.105 | 1.522 |
| 1.238 | 1.685 | 2.133 | 3.029 |
| 1.047 | 1.418 | 1.800 | 2.522 |
| 724 | 975 | 1.243 | 1.711 |
| 1.393 | 1.895 | 2.399 | 3.407 |
| 1.163 | 1.575 | 2.000 | 2.803 |
| 804 | 1.084 | 1.381 | 1.902 |
| 1.548 | 2.106 | 2.666 | 3.786 |
| 1.279 | 1.733 | 2.201 | 3.083 |
| 885 | 1.192 | 1.520 | 2.092 |
| 1.703 | 2.317 | 2.933 | 4.165 |
| 1.396 | 1.890 | 2.400 | 3.363 |
| 965 | 1.300 | 1.657 | 2.282 |
| 1.858 | 2.527 | 3.199 | 4.543 |
| | | 2.601 | |
| | | 1.796 | |
| | | 3.466 | |
| | | 2.800 | |
| | | 1.933 | |
| | | 3.732 | |
| | | 3.000 | |
| | | 2.072 | |
| | | 3.999 | |

Core assortment (Stelrad white 9016) available ex factory within 10 days.

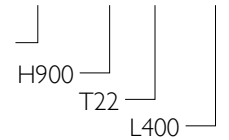
Core assortment is subject to change, please refer to www.stelrad.eu for the latest information.

Delivery time depends on the model, please refer to your distributor.

PLANAR ECO

Art. 0541 09 22 04

On the label:
PLAN ECO T11-33: 0541
PLAN ECO L (Left) T11-33: 0442



| Height | 600 | | | |
|--------|-------|-------|-------|-------|
| | 11 | 21 | 22 | 33 |
| 400 | 274 | 362 | 461 | 646 |
| | 190 | 249 | 318 | 439 |
| | 364 | 483 | 615 | 872 |
| 500 | 343 | 452 | 575 | 807 |
| | 238 | 311 | 397 | 548 |
| | 456 | 604 | 769 | 1.090 |
| 600 | 412 | 543 | 691 | 969 |
| | 286 | 374 | 476 | 658 |
| | 547 | 725 | 922 | 1.308 |
| 700 | 480 | 633 | 806 | 1.130 |
| | 333 | 436 | 556 | 767 |
| | 638 | 846 | 1.076 | 1.526 |
| 800 | 549 | 723 | 922 | 1.292 |
| | 381 | 498 | 635 | 877 |
| | 729 | 966 | 1.230 | 1.744 |
| 900 | 617 | 814 | 1.036 | 1.453 |
| | 428 | 560 | 714 | 987 |
| | 820 | 1.087 | 1.383 | 1.962 |
| 1000 | 686 | 904 | 1.152 | 1.615 |
| | 476 | 623 | 794 | 1.096 |
| | 911 | 1.208 | 1.537 | 2.180 |
| 1100 | 754 | 995 | 1.267 | 1.776 |
| | 523 | 685 | 873 | 1.206 |
| | 1.002 | 1.329 | 1.691 | 2.398 |
| 1200 | 823 | 1.085 | 1.382 | 1.937 |
| | 571 | 747 | 952 | 1.316 |
| | 1.093 | 1.450 | 1.844 | 2.616 |
| 1400 | 960 | 1.266 | 1.612 | 2.260 |
| | 666 | 871 | 1.111 | 1.535 |
| | 1.275 | 1.691 | 2.152 | 3.052 |
| 1600 | 1.098 | 1.447 | 1.842 | 2.583 |
| | 761 | 996 | 1.270 | 1.754 |
| | 1.458 | 1.933 | 2.459 | 3.488 |
| 1800 | 1.235 | 1.627 | 2.073 | 2.906 |
| | 857 | 1.120 | 1.429 | 1.973 |
| | 1.640 | 2.174 | 2.767 | 3.924 |
| 2000 | 1.372 | 1.809 | 2.303 | 3.229 |
| | 952 | 1.245 | 1.588 | 2.193 |
| | 1.822 | 2.416 | 3.074 | 4.360 |
| 2200 | 1.509 | 1.990 | 2.533 | 3.552 |
| | 1.047 | 1.370 | 1.746 | 2.412 |
| | 2.004 | 2.658 | 3.381 | 4.796 |
| 2400 | 1.646 | 2.170 | 2.764 | 3.875 |
| | 1.142 | 1.494 | 1.905 | 2.631 |
| | 2.186 | 2.899 | 3.689 | 5.232 |
| 2600 | | | 2.994 | |
| | | | 2.064 | |
| | | | 3.996 | |
| 2800 | | | 3.225 | |
| | | | 2.223 | |
| | | | 4.304 | |
| 3000 | | | 3.455 | |
| | | | 2.381 | |
| | | | 4.611 | |

| 700 | | | |
|-------|-------|-------|-------|
| 11 | 21 | 22 | 33 |
| 312 | 405 | 519 | 727 |
| 216 | 279 | 357 | 494 |
| 415 | 541 | 693 | 981 |
| 390 | 506 | 648 | 908 |
| 270 | 349 | 446 | 617 |
| 519 | 677 | 866 | 1.226 |
| 468 | 608 | 777 | 1.090 |
| 324 | 419 | 535 | 741 |
| 623 | 812 | 1.039 | 1.471 |
| 547 | 709 | 907 | 1.272 |
| 378 | 489 | 624 | 864 |
| 727 | 947 | 1.212 | 1.716 |
| 624 | 811 | 1.037 | 1.454 |
| 432 | 559 | 714 | 988 |
| 830 | 1.082 | 1.386 | 1.962 |
| 702 | 912 | 1.167 | 1.635 |
| 486 | 629 | 803 | 1.111 |
| 934 | 1.218 | 1.559 | 2.207 |
| 780 | 1.014 | 1.296 | 1.817 |
| 540 | 698 | 892 | 1.234 |
| 1.038 | 1.353 | 1.732 | 2.452 |
| 859 | 1.115 | 1.425 | 1.998 |
| 594 | 768 | 981 | 1.358 |
| 1.142 | 1.488 | 1.905 | 2.697 |
| 937 | 1.217 | 1.555 | 2.180 |
| 649 | 838 | 1.070 | 1.481 |
| 1.246 | 1.624 | 2.078 | 2.942 |
| 1.092 | 1.419 | 1.815 | 2.544 |
| 756 | 978 | 1.249 | 1.728 |
| 1.453 | 1.894 | 2.425 | 3.433 |
| 1.249 | 1.622 | 2.073 | 2.907 |
| 865 | 1.118 | 1.427 | 1.975 |
| 1.661 | 2.165 | 2.771 | 3.923 |
| 1.404 | 1.824 | 2.333 | 3.271 |
| 972 | 1.257 | 1.605 | 2.222 |
| 1.868 | 2.435 | 3.118 | 4.414 |
| 1.561 | 2.027 | 2.592 | 3.634 |
| 1.081 | 1.397 | 1.783 | 2.469 |
| 2.076 | 2.706 | 3.464 | 4.904 |
| | | | |
| | | | |
| | | | |
| | | | |
| | | | |

| 900 | | | |
|-------|-------|-------|-------|
| 11 | 21 | 22 | 33 |
| 378 | 485 | 625 | 876 |
| 261 | 335 | 429 | 596 |
| 504 | 646 | 838 | 1.181 |
| 472 | 606 | 782 | 1.095 |
| 326 | 418 | 536 | 745 |
| 630 | 808 | 1.048 | 1.476 |
| 567 | 728 | 939 | 1.314 |
| 391 | 502 | 644 | 894 |
| 756 | 970 | 1.258 | 1.771 |
| 661 | 849 | 1.095 | 1.532 |
| 456 | 586 | 751 | 1.042 |
| 882 | 1.131 | 1.467 | 2.066 |
| 756 | 970 | 1.251 | 1.752 |
| 521 | 670 | 858 | 1.192 |
| 1.008 | 1.293 | 1.677 | 2.362 |
| 850 | 1.091 | 1.407 | 1.971 |
| 586 | 753 | 965 | 1.341 |
| 1.134 | 1.454 | 1.886 | 2.657 |
| 945 | 1.212 | 1.564 | 2.189 |
| 651 | 837 | 1.072 | 1.489 |
| 1.260 | 1.616 | 2.096 | 2.952 |
| 1.039 | 1.334 | 1.721 | 2.408 |
| 717 | 921 | 1.180 | 1.638 |
| 1.386 | 1.778 | 2.306 | 3.247 |
| 1.133 | 1.455 | 1.877 | 2.627 |
| 782 | 1.004 | 1.287 | 1.787 |
| 1.512 | 1.939 | 2.515 | 3.542 |
| 1.322 | 1.697 | 2.189 | 3.065 |
| 912 | 1.172 | 1.501 | 2.085 |
| 1.764 | 2.262 | 2.934 | 4.133 |
| 1.511 | 1.940 | 2.503 | 3.503 |
| 1.042 | 1.339 | 1.716 | 2.383 |
| 2.016 | 2.586 | 3.354 | 4.723 |
| 1.700 | 2.182 | 2.816 | 3.941 |
| 1.173 | 1.507 | 1.930 | 2.681 |
| 2.268 | 2.909 | 3.773 | 5.314 |
| 1.889 | 2.425 | 3.128 | 4.379 |
| 1.303 | 1.674 | 2.145 | 2.979 |
| 2.520 | 3.232 | 4.192 | 5.904 |
| | | | |
| | | | |
| | | | |
| | | | |
| | | | |

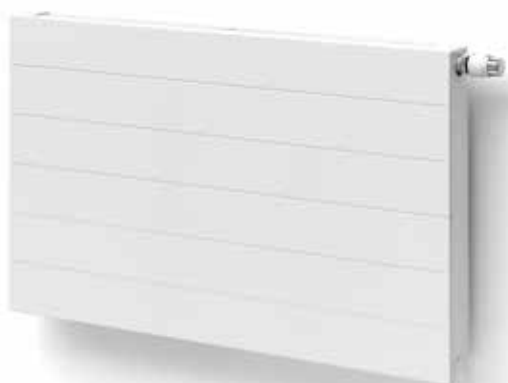
General information

PLANAR STYLE ECO

The Planar Style ECO radiator unites design with our serial flow technology (water flows first through the front panel) and is perfectly suited for heating systems that work with low operating temperatures.

This ECO technology results in high energy efficiency, maximum radiation, faster heating rate and less waste of energy towards the wall. Together with the symmetry of the horizontal lines of the stylish front panel the Planar Style ECO creates a pleasantly warm environment with the feeling of style and space.

| | |
|-----------------------------|--|
| Product: | decorative Stelrad ECO valve radiator ideally suited for low-temperatures heating system and equipped with our serial flow technology, both a centre and lateral bottom connection, a preset valve insert (which can be fitted on the left or right side of the radiator) and with a decorative stylish front |
| Finishing: | decorative stylish front, upper grille and side panels |
| Pre-installed: | preset Heimeier 4368 or 4369 valve insert, ECO air vent and blind plugs |
| Valve insert: | The integrated adjustable valve insert (without thermostatic head) is factory-fit on the right side of the radiator, CEN certified, tested in accordance with EN215 and compatible with thermostatic heads M30 x 1,5 mm. The valve insert can also be fitted on the left side of the radiator. The thermostatic valve insert is factory-set in relation to the size of the radiator. This presetting ensures optimum throughput in the radiator. Factory setting for two-pipe systems, also suitable for one-pipe systems (as long as the valve insert is adjusted to position 8). |
| Also supplied: | VDI brackets with anti-lift (type Monclac), screws, plugs and installation instructions |
| Connections: | 2 x ¾" male eurocone centre connection and 2 x ½" female lateral bottom connection |
| Lugs: | 2 pairs of mounting lugs up to 1.600 mm and 3 pairs from 1.800 mm |
| Packaging: | Every radiator is sturdily packaged in high-quality cardboard and wrapped in plastic. The radiator's characteristics are shown on the label: type – height – length. |
| Warranty: | 10 years, as long as the installation instructions have been followed and Stelrad's warranty conditions have been met. |
| Paint process: | All radiators are degreased, phosphated, cataphoretically primed and powder-coated in Stelrad white 9016 as standard. |
| Colours: | Stelrad white 9016 + 35 different Stelrad colours and about 200 RAL-colours are possible |
| Max. operating pressure: | 10 bar (tested to 13 bar) |
| Max. operating temperature: | 110 °C |
| Conformity: | in accordance with EN442 |
| Types: | 11 21 22 33 |
| Heights: | 300 400 500 600 700 900 mm |
| Lengths: | 400 – 2.000 mm |
| Depths: | 63 79 102 160 mm |

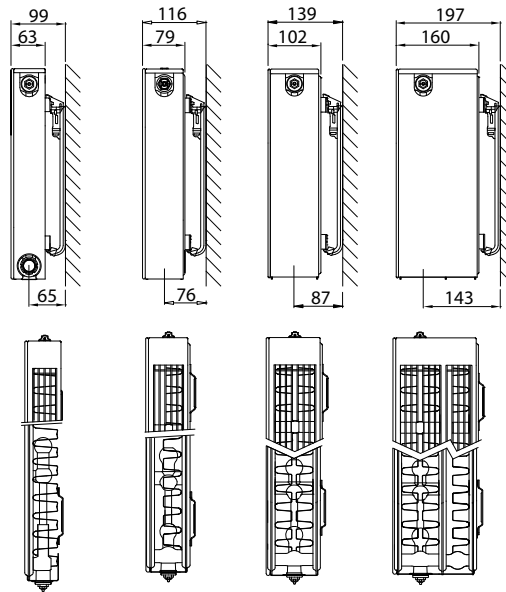


Type overview

Calculation factor
per meter
at 75/65/20°C
according to EN442

Characteristic equation:

$$\Phi = K_M \times \Delta T^n$$



| Height | | Type 11 | Type 21 | Type 22 | Type 33 | Height |
|--------|----------------|---------|---------|---------|---------|--------|
| 300 | W | | | 887 | 1.259 | 300 |
| | kg | | | 18,85 | 26,45 | |
| | l | | | 2,90 | 4,35 | |
| | m ² | | | 3,51 | 5,26 | |
| | n | | | 1,27 | 1,31 | |
| 400 | W | 626 | 886 | 1.117 | 1.587 | 400 |
| | kg | 16,13 | 21,95 | 24,95 | 35,12 | |
| | l | 2,34 | 4,11 | 3,88 | 5,82 | |
| | m ² | 2,95 | 3,37 | 4,92 | 7,38 | |
| | n | 1,29 | 1,28 | 1,28 | 1,32 | |
| 500 | W | 774 | 1.053 | 1.333 | 1.893 | 500 |
| | kg | 20,39 | 27,28 | 31,05 | 43,78 | |
| | l | 2,80 | 4,93 | 4,87 | 7,28 | |
| | m ² | 3,80 | 4,31 | 6,33 | 9,49 | |
| | n | 1,28 | 1,30 | 1,29 | 1,35 | |
| 600 | W | 911 | 1.208 | 1.537 | 2.180 | 600 |
| | kg | 24,65 | 32,60 | 37,15 | 52,45 | |
| | l | 3,25 | 5,75 | 5,85 | 8,75 | |
| | m ² | 4,66 | 5,24 | 7,74 | 11,61 | |
| | n | 1,27 | 1,30 | 1,29 | 1,35 | |
| 700 | W | 1.038 | 1.353 | 1.732 | 2.452 | 700 |
| | kg | 28,91 | 37,85 | 42,82 | 61,13 | |
| | l | 3,77 | 6,63 | 6,73 | 10,19 | |
| | m ² | 5,51 | 6,18 | 9,15 | 13,72 | |
| | n | 1,28 | 1,29 | 1,30 | 1,34 | |
| 900 | W | 1.260 | 1.616 | 2.096 | 2.952 | 900 |
| | kg | 37,43 | 48,35 | 54,15 | 78,50 | |
| | l | 4,80 | 8,40 | 8,50 | 13,06 | |
| | m ² | 7,22 | 8,05 | 11,97 | 17,96 | |
| | n | 1,29 | 1,29 | 1,31 | 1,34 | |

W=heat output per meter / kg=weight per meter / l=content per meter / m²=surface per meter / n=exponent
The manufacturer reserves the right to alter any of the specifications shown in this document without prior notice.

PLANAR STYLE ECO

Heat outputs according to EN442



EN442 (W) 70/50/20°C

EN442 (W) 55/45/20°C

EN442 (W) 75/65/20°C

Stelrad BV/PL24/0020/EC007

| Height | 300 | |
|-------------|-----------------------|-------------------------|
| | 22 | 33 |
| 400 | | |
| 500 | 334 232 444 | 470 322 630 |
| 600 | | |
| 700 | | |
| 800 | 534 370 710 | 751 515 1.007 |
| 900 | 601 416 798 | 845 580 1.133 |
| 1000 | 668 463 887 | 940 644 1.259 |
| 1200 | 801 555 1.064 | 1.128 773 1.511 |
| 1400 | 935 648 1.242 | 1.316 902 1.763 |
| 1600 | 1.068 740 1.419 | 1.503 1.030 2.014 |
| 1800 | 1.202 833 1.597 | 1.691 1.159 2.266 |
| 2000 | 1.335 926 1.774 | 1.879 1.288 2.518 |

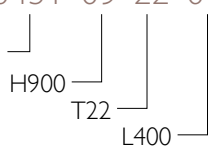
| 400 | | | |
|---------------------|-----------------------|-------------------------|-------------------------|
| 11 | 21 | 22 | 33 |
| | | | |
| 235 162 313 | 333 231 443 | 419 290 559 | 591 404 794 |
| 282 194 376 | 400 277 532 | 504 348 670 | 709 484 952 |
| 328 226 438 | 466 323 620 | 588 407 782 | 827 565 1.111 |
| 376 259 501 | 533 370 709 | 672 465 894 | 945 646 1.270 |
| 422 291 563 | 600 415 797 | 755 523 1.005 | 1.063 726 1.428 |
| 469 324 626 | 667 462 886 | 839 581 1.117 | 1.181 807 1.587 |
| 563 388 751 | 800 554 1.063 | 1.007 697 1.340 | 1.417 969 1.904 |
| 657 453 876 | 933 646 1.240 | 1.175 813 1.564 | 1.654 1.130 2.222 |
| 751 518 1.002 | 1.067 739 1.418 | 1.343 929 1.787 | 1.890 1.292 2.539 |
| 845 583 1.127 | 1.200 831 1.595 | 1.511 1.046 2.011 | 2.127 1.453 2.857 |
| 939 647 1.252 | 1.333 924 1.772 | 1.679 1.162 2.234 | 2.363 1.615 3.174 |

| 500 | | | |
|-----------------------|-------------------------|-------------------------|-------------------------|
| 11 | 21 | 22 | 33 |
| 233 161 310 | 315 217 421 | 400 276 533 | 560 380 757 |
| 291 201 387 | 393 271 527 | 500 345 667 | 700 475 947 |
| 349 241 464 | 473 325 632 | 600 414 800 | 841 571 1.136 |
| 407 282 542 | 551 379 737 | 700 483 933 | 981 666 1.325 |
| 465 322 619 | 630 433 842 | 800 552 1.066 | 1.121 761 1.514 |
| 524 362 697 | 709 488 948 | 900 622 1.200 | 1.261 856 1.704 |
| 582 402 774 | 788 542 1.053 | 1.000 691 1.333 | 1.401 951 1.893 |
| 698 483 929 | 946 650 1.264 | 1.200 829 1.600 | 1.682 1.141 2.272 |
| 814 563 1.084 | 1.103 758 1.474 | 1.400 967 1.866 | 1.962 1.331 2.650 |
| 930 643 1.238 | 1.260 867 1.685 | 1.600 1.105 2.133 | 2.242 1.522 3.029 |
| 1.047 724 1.393 | 1.418 975 1.895 | 1.800 1.243 2.399 | 2.522 1.711 3.407 |
| 1.163 804 1.548 | 1.575 1.084 2.106 | 2.000 1.381 2.666 | 2.803 1.902 3.786 |

Core assortment (Stelrad white 9016) available ex factory within 10 days.
Core assortment is subject to change, please refer to www.stelrad.eu for the latest information.
Delivery time depends on the model, please refer to your distributor.

PLANAR STYLE ECO

Art. 0451 09 22 04
 On the label:
 ECO DECO T11-33: 0451
 ECO DECO L (Left) T11-33: 0452



| Height | 600 | | | |
|-------------|-------|-------|-------|-------|
| | 11 | 21 | 22 | 33 |
| 400 | 274 | 362 | 461 | 646 |
| | 190 | 249 | 318 | 439 |
| | 364 | 483 | 615 | 872 |
| 500 | 343 | 452 | 575 | 807 |
| | 238 | 311 | 397 | 548 |
| | 456 | 604 | 769 | 1.090 |
| 600 | 412 | 543 | 691 | 969 |
| | 286 | 374 | 476 | 658 |
| | 547 | 725 | 922 | 1.308 |
| 700 | 480 | 633 | 806 | 1.130 |
| | 333 | 436 | 556 | 767 |
| | 638 | 846 | 1.076 | 1.526 |
| 800 | 549 | 723 | 922 | 1.292 |
| | 381 | 498 | 635 | 877 |
| | 729 | 966 | 1.230 | 1.744 |
| 900 | 617 | 814 | 1.036 | 1.453 |
| | 428 | 560 | 714 | 987 |
| | 820 | 1.087 | 1.383 | 1.962 |
| 1000 | 686 | 904 | 1.152 | 1.615 |
| | 476 | 623 | 794 | 1.096 |
| | 911 | 1.208 | 1.537 | 2.180 |
| 1200 | 823 | 1.085 | 1.382 | 1.937 |
| | 571 | 747 | 952 | 1.316 |
| | 1.093 | 1.450 | 1.844 | 2.616 |
| 1400 | 960 | 1.266 | 1.612 | 2.260 |
| | 666 | 871 | 1.111 | 1.535 |
| | 1.275 | 1.691 | 2.152 | 3.052 |
| 1600 | 1.098 | 1.447 | 1.842 | 2.583 |
| | 761 | 996 | 1.270 | 1.754 |
| | 1.458 | 1.933 | 2.459 | 3.488 |
| 1800 | 1.235 | 1.627 | 2.073 | 2.906 |
| | 857 | 1.120 | 1.429 | 1.973 |
| | 1.640 | 2.174 | 2.767 | 3.924 |
| 2000 | 1.372 | 1.809 | 2.303 | 3.229 |
| | 952 | 1.245 | 1.588 | 2.193 |
| | 1.822 | 2.416 | 3.074 | 4.360 |

| 700 | | | |
|-------|-------|-------|-------|
| 11 | 21 | 22 | 33 |
| 312 | 405 | 519 | 727 |
| 216 | 279 | 357 | 494 |
| 415 | 541 | 693 | 981 |
| 390 | 506 | 648 | 908 |
| 270 | 349 | 446 | 617 |
| 519 | 677 | 866 | 1.226 |
| 468 | 608 | 777 | 1.090 |
| 324 | 419 | 535 | 741 |
| 623 | 812 | 1.039 | 1.471 |
| 547 | 709 | 907 | 1.272 |
| 378 | 489 | 624 | 864 |
| 727 | 947 | 1.212 | 1.716 |
| 624 | 811 | 1.037 | 1.454 |
| 432 | 559 | 714 | 988 |
| 830 | 1.082 | 1.386 | 1.962 |
| 702 | 912 | 1.167 | 1.635 |
| 486 | 629 | 803 | 1.111 |
| 934 | 1.218 | 1.559 | 2.207 |
| 780 | 1.014 | 1.296 | 1.817 |
| 540 | 698 | 892 | 1.234 |
| 1.038 | 1.353 | 1.732 | 2.452 |
| 937 | 1.217 | 1.555 | 2.180 |
| 649 | 838 | 1.070 | 1.481 |
| 1.246 | 1.624 | 2.078 | 2.942 |
| 1.092 | 1.419 | 1.815 | 2.544 |
| 756 | 978 | 1.249 | 1.728 |
| 1.453 | 1.894 | 2.425 | 3.433 |
| 1.249 | 1.622 | 2.073 | 2.907 |
| 865 | 1.118 | 1.427 | 1.975 |
| 1.661 | 2.165 | 2.771 | 3.923 |
| 1.404 | 1.824 | 2.333 | 3.271 |
| 972 | 1.257 | 1.605 | 2.222 |
| 1.868 | 2.435 | 3.118 | 4.414 |
| 1.561 | 2.027 | 2.592 | 3.634 |
| 1.081 | 1.397 | 1.783 | 2.469 |
| 2.076 | 2.706 | 3.464 | 4.904 |

| 900 | | | |
|-------|-------|-------|-------|
| 11 | 21 | 22 | 33 |
| 378 | 485 | 625 | 876 |
| 261 | 335 | 429 | 596 |
| 504 | 646 | 838 | 1.181 |
| 472 | 606 | 782 | 1.095 |
| 326 | 418 | 536 | 745 |
| 630 | 808 | 1.048 | 1.476 |
| 567 | 728 | 939 | 1.314 |
| 391 | 502 | 644 | 894 |
| 756 | 970 | 1.258 | 1.771 |
| 661 | 849 | 1.095 | 1.532 |
| 456 | 586 | 751 | 1.042 |
| 882 | 1.131 | 1.467 | 2.066 |
| 756 | 970 | 1.251 | 1.752 |
| 521 | 670 | 858 | 1.192 |
| 1.008 | 1.293 | 1.677 | 2.362 |
| 850 | 1.091 | 1.407 | 1.971 |
| 586 | 753 | 965 | 1.341 |
| 1.134 | 1.454 | 1.886 | 2.657 |
| 945 | 1.212 | 1.564 | 2.189 |
| 651 | 837 | 1.072 | 1.489 |
| 1.260 | 1.616 | 2.096 | 2.952 |
| 1.133 | 1.455 | 1.877 | 2.627 |
| 782 | 1.004 | 1.287 | 1.787 |
| 1.512 | 1.939 | 2.515 | 3.542 |
| 1.322 | 1.697 | 2.189 | 3.065 |
| 912 | 1.172 | 1.501 | 2.085 |
| 1.764 | 2.262 | 2.934 | 4.133 |
| 1.511 | 1.940 | 2.503 | 3.503 |
| 1.042 | 1.339 | 1.716 | 2.383 |
| 2.016 | 2.586 | 3.354 | 4.723 |
| 1.700 | 2.182 | 2.816 | 3.941 |
| 1.173 | 1.507 | 1.930 | 2.681 |
| 2.268 | 2.909 | 3.773 | 5.314 |
| 1.889 | 2.425 | 3.128 | 4.379 |
| 1.303 | 1.674 | 2.145 | 2.979 |
| 2.520 | 3.232 | 4.192 | 5.904 |

General information

PLANAR 8

The Planar 8 is with a flat front, perfectly fitting side panels and upper grille a decorative radiator with a timeless design. Furthermore you have, thanks to the 4 side- and 4 bottom connections, a variety of connection possibilities. This makes the Planar 8 easy to install and applicable in about every situation. In addition, it offers a uniform wall distance of 65 mm for all types at the center connection.

| | |
|-----------------------------|--|
| Product: | decorative valve radiator with a flat front and 8 connections |
| Finishing: | decorative flat front, upper grille and side panels |
| Pre-installed: | preset Heimeier 4368 or 4369 valve insert, air vent and blind plugs |
| Valve insert: | The integrated adjustable valve insert (without thermostatic head) is factory-fit on the right side of the radiator; CEN certified, tested in accordance with EN215 and compatible with thermostatic heads M30 x 1,5 mm. The thermostatic valve insert is factory-set in relation to the size of the radiator. This presetting ensures optimum throughput in the radiator. Factory setting for two-pipe systems, also suitable for one-pipe systems (as long as the valve insert is adjusted to position 8). |
| Also supplied: | Monclac brackets with anti-lift (VDI compliant when used in combination with included anti-slide clips), screws, plugs and installation instructions |
| Connections: | 4 x 3/4" male Eurocone bottom connection (2 x centre and 2 x lateral) and 4 x 1/2" female side connection. Uniform wall distance of 65 mm for all types at the centre connection. Left-hand version of types 21-33 available on request. This changes the distances between the connections and the wall for types 22 and 33. |
| Lugs: | Type 11 is equipped with 2 pairs of mounting lugs up to 1.600 mm and 3 pairs from 1.800 mm |
| Packaging: | Every radiator is sturdily packaged in high-quality cardboard and wrapped in plastic. The radiator's characteristics are shown on the label: type – height – length. |
| Warranty: | 10 years, as long as the installation instructions have been followed and Stelrad's warranty conditions have been met. |
| Paint process: | All radiators are degreased, phosphated, cathoretically primed and powder-coated in Stelrad white 9016 as standard. |
| Colours: | Stelrad white 9016 + 35 different Stelrad colours and about 200 RAL-colours are possible |
| Max. operating pressure: | 10 bar (tested to 13 bar) |
| Max. operating temperature: | 110 °C |
| Conformity: | in accordance with EN442 |
| Quality assurance: | NF |
| Types: | 11 21 22 33 |
| Heights: | 300 400 500 600 700 900 mm |
| Lengths: | 400 – 3.000 mm |
| Depths: | 63 79 102 160 mm |



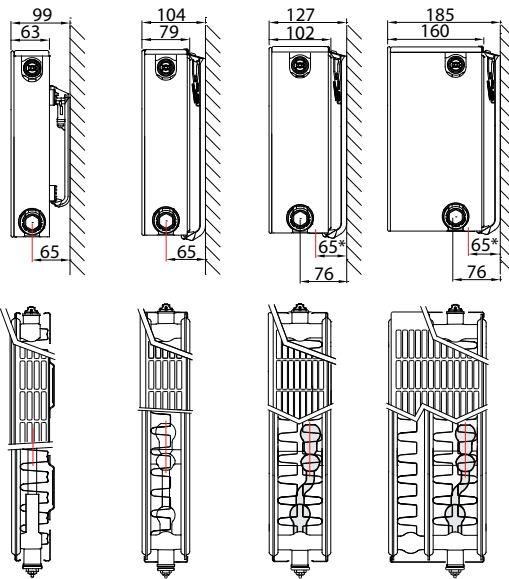
Type overview

Calculation factor
per meter
at 75/65/20°C
according to EN442

Characteristic equation:

$$\Phi = K_M \times \Delta T^n$$

* centre connection only



| Height | | Type 11 | Type 21 | Type 22 | Type 33 | Centre distance |
|--------|----------------|---------|---------|---------|---------|-----------------|
| 300 | W | 469 | 706 | 929 | 1.346 | 250 |
| | kg | 11,88 | 16,86 | 19,60 | 28,00 | |
| | l | 1,89 | 3,70 | 3,70 | 5,40 | |
| | m ² | 2,09 | 2,44 | 3,51 | 5,26 | |
| | n | 1,30 | 1,32 | 1,30 | 1,31 | |
| 400 | W | 626 | 889 | 1.177 | 1.690 | 350 |
| | kg | 16,13 | 22,87 | 26,40 | 38,13 | |
| | l | 2,34 | 4,67 | 4,67 | 6,87 | |
| | m ² | 2,95 | 3,37 | 4,92 | 7,38 | |
| | n | 1,29 | 1,32 | 1,30 | 1,32 | |
| 500 | W | 774 | 1.062 | 1.411 | 2.017 | 450 |
| | kg | 20,39 | 28,89 | 33,20 | 48,27 | |
| | l | 2,80 | 5,63 | 5,63 | 8,33 | |
| | m ² | 3,80 | 4,31 | 6,33 | 9,49 | |
| | n | 1,28 | 1,32 | 1,31 | 1,33 | |
| 600 | W | 911 | 1.227 | 1.634 | 2.332 | 550 |
| | kg | 24,65 | 34,90 | 40,00 | 58,40 | |
| | l | 3,25 | 6,60 | 6,60 | 9,80 | |
| | m ² | 4,66 | 5,24 | 7,74 | 11,61 | |
| | n | 1,27 | 1,32 | 1,32 | 1,34 | |
| 700 | W | 1.038 | 1.387 | 1.848 | 2.637 | 650 |
| | kg | 28,91 | 40,91 | 46,80 | 68,53 | |
| | l | 3,77 | 7,63 | 7,63 | 11,37 | |
| | m ² | 5,51 | 6,18 | 9,15 | 13,72 | |
| | n | 1,28 | 1,32 | 1,33 | 1,34 | |
| 900 | W | 1.260 | 1.690 | 2.251 | 3.225 | 850 |
| | kg | 37,43 | 52,94 | 60,40 | 88,80 | |
| | l | 4,80 | 9,70 | 9,70 | 14,50 | |
| | m ² | 7,22 | 8,05 | 11,97 | 17,96 | |
| | n | 1,29 | 1,31 | 1,35 | 1,34 | |

W=heat output per meter / kg=weight per meter / l=content per meter / m²=surface per meter / n=exponent
The manufacturer reserves the right to alter any of the specifications shown in this document without prior notice.

PLANAR 8

Heat outputs according to EN442



EN442 (W) 70/50/20°C

EN442 (W) 55/45/20°C

EN442 (W) 75/65/20°C

Stelrad_BV/PL24/00/20/EC007

| Height | 300 | | | |
|-------------|-----|-------|-------|-------|
| | 11 | 21 | 22 | 33 |
| 400 | 141 | 210 | 279 | 401 |
| | 97 | 144 | 192 | 275 |
| | 188 | 282 | 372 | 538 |
| 500 | 175 | 263 | 347 | 502 |
| | 120 | 180 | 239 | 344 |
| | 235 | 353 | 465 | 673 |
| 600 | 210 | 316 | 417 | 603 |
| | 145 | 216 | 287 | 413 |
| | 281 | 424 | 557 | 808 |
| 700 | 245 | 368 | 487 | 703 |
| | 169 | 252 | 335 | 482 |
| | 328 | 494 | 650 | 942 |
| 800 | 280 | 421 | 556 | 804 |
| | 193 | 288 | 383 | 551 |
| | 375 | 565 | 743 | 1.077 |
| 900 | 316 | 473 | 626 | 904 |
| | 217 | 324 | 431 | 619 |
| | 422 | 635 | 836 | 1.211 |
| 1000 | 351 | 526 | 696 | 1.004 |
| | 241 | 360 | 479 | 689 |
| | 469 | 706 | 929 | 1.346 |
| 1100 | 386 | 579 | 765 | 1.105 |
| | 265 | 397 | 527 | 758 |
| | 516 | 777 | 1.022 | 1.481 |
| 1200 | 421 | 631 | 835 | 1.205 |
| | 290 | 432 | 575 | 826 |
| | 563 | 847 | 1.115 | 1.615 |
| 1400 | 491 | 737 | 974 | 1.406 |
| | 338 | 504 | 671 | 964 |
| | 657 | 988 | 1.301 | 1.884 |
| 1600 | | 842 | 1.113 | 1.607 |
| | | 577 | 767 | 1.102 |
| | | 1.130 | 1.486 | 2.154 |
| 1800 | | 948 | 1.252 | 1.808 |
| | | 649 | 863 | 1.239 |
| | | 1.271 | 1.672 | 2.423 |
| 2000 | | 1.053 | 1.391 | 2.009 |
| | | 721 | 958 | 1.377 |
| | | 1.412 | 1.858 | 2.692 |
| 2200 | | 1.158 | 1.531 | 2.209 |
| | | 793 | 1.054 | 1.515 |
| | | 1.553 | 2.044 | 2.961 |
| 2400 | | 1.263 | 1.670 | 2.410 |
| | | 865 | 1.150 | 1.652 |
| | | 1.694 | 2.230 | 3.230 |
| 2600 | | | 1.809 | |
| | | | 1.246 | |
| | | | 2.415 | |
| 2800 | | | 1.948 | |
| | | | 1.342 | |
| | | | 2.601 | |
| 3000 | | | 2.087 | |
| | | | 1.438 | |
| | | | 2.787 | |

| 400 | | | |
|-------|-------|-------|-------|
| 11 | 21 | 22 | 33 |
| 187 | 265 | 352 | 503 |
| 129 | 182 | 242 | 344 |
| 250 | 356 | 471 | 676 |
| 235 | 331 | 440 | 629 |
| 162 | 226 | 302 | 430 |
| 313 | 445 | 589 | 845 |
| 282 | 397 | 528 | 755 |
| 194 | 272 | 363 | 516 |
| 376 | 533 | 706 | 1.014 |
| 328 | 463 | 616 | 881 |
| 226 | 317 | 423 | 602 |
| 438 | 622 | 824 | 1.183 |
| 376 | 530 | 704 | 1.007 |
| 259 | 363 | 484 | 688 |
| 501 | 711 | 942 | 1.352 |
| 422 | 596 | 792 | 1.132 |
| 291 | 408 | 544 | 774 |
| 563 | 800 | 1.059 | 1.521 |
| 469 | 662 | 880 | 1.258 |
| 324 | 453 | 605 | 860 |
| 626 | 889 | 1.177 | 1.690 |
| 516 | 729 | 968 | 1.384 |
| 356 | 499 | 665 | 946 |
| 689 | 978 | 1.295 | 1.859 |
| 563 | 795 | 1.055 | 1.510 |
| 388 | 544 | 725 | 1.032 |
| 751 | 1.067 | 1.412 | 2.028 |
| 657 | 928 | 1.232 | 1.761 |
| 453 | 635 | 847 | 1.204 |
| 876 | 1.245 | 1.648 | 2.366 |
| 751 | 1.060 | 1.408 | 2.013 |
| 518 | 725 | 967 | 1.376 |
| 1.002 | 1.422 | 1.883 | 2.704 |
| 845 | 1.192 | 1.584 | 2.265 |
| 583 | 816 | 1.088 | 1.548 |
| 1.127 | 1.600 | 2.119 | 3.042 |
| 939 | 1.325 | 1.760 | 2.516 |
| 647 | 907 | 1.209 | 1.720 |
| 1.252 | 1.778 | 2.354 | 3.380 |
| | 1.457 | 1.935 | 2.768 |
| | 997 | 1.330 | 1.892 |
| | 1.956 | 2.589 | 3.718 |
| | 1.590 | 2.112 | 3.020 |
| | 1.088 | 1.451 | 2.064 |
| | 2.134 | 2.825 | 4.056 |
| | | 2.287 | |
| | | 1.572 | |
| | | 3.060 | |
| | | 2.464 | |
| | | 1.693 | |
| | | 3.296 | |
| | | 2.639 | |
| | | 1.814 | |
| | | 3.531 | |

| 500 | | | |
|-------|-------|-------|-------|
| 11 | 21 | 22 | 33 |
| 233 | 317 | 421 | 599 |
| 161 | 216 | 289 | 409 |
| 310 | 425 | 564 | 807 |
| 291 | 395 | 527 | 749 |
| 201 | 270 | 361 | 510 |
| 387 | 531 | 706 | 1.009 |
| 349 | 474 | 632 | 899 |
| 241 | 324 | 433 | 613 |
| 464 | 637 | 847 | 1.210 |
| 407 | 553 | 737 | 1.049 |
| 282 | 378 | 505 | 715 |
| 542 | 743 | 988 | 1.412 |
| 465 | 633 | 842 | 1.199 |
| 322 | 433 | 578 | 817 |
| 619 | 850 | 1.129 | 1.614 |
| 524 | 712 | 948 | 1.348 |
| 362 | 487 | 650 | 919 |
| 697 | 956 | 1.270 | 1.815 |
| 582 | 791 | 1.053 | 1.498 |
| 402 | 541 | 722 | 1.021 |
| 774 | 1.062 | 1.411 | 2.017 |
| 639 | 870 | 1.158 | 1.648 |
| 442 | 595 | 794 | 1.123 |
| 851 | 1.168 | 1.552 | 2.219 |
| 698 | 949 | 1.263 | 1.798 |
| 483 | 649 | 866 | 1.225 |
| 929 | 1.274 | 1.693 | 2.420 |
| 814 | 1.107 | 1.474 | 2.098 |
| 563 | 757 | 1.010 | 1.430 |
| 1.084 | 1.487 | 1.975 | 2.824 |
| 930 | 1.265 | 1.685 | 2.397 |
| 643 | 865 | 1.155 | 1.634 |
| 1.238 | 1.699 | 2.258 | 3.227 |
| 1.047 | 1.424 | 1.895 | 2.697 |
| 724 | 974 | 1.299 | 1.838 |
| 1.393 | 1.912 | 2.540 | 3.631 |
| 1.163 | 1.582 | 2.106 | 2.996 |
| 804 | 1.082 | 1.444 | 2.042 |
| 1.548 | 2.124 | 2.822 | 4.034 |
| 1.279 | 1.740 | 2.316 | 3.296 |
| 885 | 1.190 | 1.588 | 2.246 |
| 1.703 | 2.336 | 3.104 | 4.437 |
| 1.396 | 1.898 | 2.526 | 3.596 |
| 965 | 1.298 | 1.732 | 2.451 |
| 1.858 | 2.549 | 3.386 | 4.841 |
| | | 2.738 | |
| | | 1.877 | |
| | | 3.669 | |
| | | 2.948 | |
| | | 2.021 | |
| | | 3.951 | |
| | | 3.158 | |
| | | 2.165 | |
| | | 4.233 | |

Core assortment (Stelrad white 9016) available ex factory within 10 days.

Core assortment is subject to change, please refer to www.stelrad.eu for the latest information.

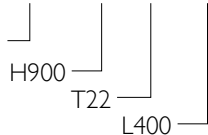
Delivery time depends on the model, please refer to your distributor.

PLANAR 8

On the label:
8-CONNECTIONS PLAN
8-CONNECTIONS PLAN L (Left)

Art. 0652 09 22 04

T21-33: 0652
T11: 0651
T21-33: 0650



| Height | 600 | | | |
|--------|-------|-------|-------|-------|
| Type | 11 | 21 | 22 | 33 |
| 400 | 274 | 365 | 487 | 691 |
| | 190 | 250 | 333 | 470 |
| | 364 | 491 | 654 | 933 |
| 500 | 343 | 457 | 608 | 864 |
| | 238 | 312 | 416 | 587 |
| | 456 | 614 | 817 | 1.166 |
| 600 | 412 | 548 | 730 | 1.037 |
| | 286 | 374 | 499 | 705 |
| | 547 | 736 | 980 | 1.399 |
| 700 | 480 | 639 | 852 | 1.209 |
| | 333 | 437 | 583 | 822 |
| | 638 | 859 | 1.144 | 1.632 |
| 800 | 549 | 731 | 973 | 1.383 |
| | 381 | 500 | 666 | 940 |
| | 729 | 982 | 1.307 | 1.866 |
| 900 | 617 | 822 | 1.096 | 1.556 |
| | 428 | 562 | 749 | 1.057 |
| | 820 | 1.104 | 1.471 | 2.099 |
| 1000 | 686 | 913 | 1.217 | 1.728 |
| | 476 | 624 | 832 | 1.174 |
| | 911 | 1.227 | 1.634 | 2.332 |
| 1100 | 754 | 1.005 | 1.338 | 1.901 |
| | 523 | 687 | 915 | 1.292 |
| | 1.002 | 1.350 | 1.797 | 2.565 |
| 1200 | 823 | 1.096 | 1.460 | 2.074 |
| | 571 | 749 | 999 | 1.409 |
| | 1.093 | 1.472 | 1.961 | 2.798 |
| 1400 | 960 | 1.279 | 1.704 | 2.420 |
| | 666 | 874 | 1.165 | 1.644 |
| | 1.275 | 1.718 | 2.288 | 3.265 |
| 1600 | 1.098 | 1.461 | 1.947 | 2.765 |
| | 761 | 999 | 1.331 | 1.879 |
| | 1.458 | 1.963 | 2.614 | 3.731 |
| 1800 | 1.235 | 1.644 | 2.190 | 3.111 |
| | 857 | 1.124 | 1.498 | 2.114 |
| | 1.640 | 2.209 | 2.941 | 4.198 |
| 2000 | 1.372 | 1.827 | 2.434 | 3.457 |
| | 952 | 1.249 | 1.665 | 2.349 |
| | 1.822 | 2.454 | 3.268 | 4.664 |
| 2200 | 1.509 | 2.009 | 2.677 | 3.802 |
| | 1.047 | 1.373 | 1.831 | 2.584 |
| | 2.004 | 2.699 | 3.595 | 5.130 |
| 2400 | 1.646 | 2.192 | 2.921 | 4.148 |
| | 1.142 | 1.498 | 1.998 | 2.819 |
| | 2.186 | 2.945 | 3.922 | 5.597 |
| 2600 | | | 3.164 | |
| | | | 2.164 | 4.248 |
| 2800 | | | 3.407 | |
| | | | 2.330 | 4.575 |
| 3000 | | | 3.651 | |
| | | | 2.497 | 4.902 |

| 700 | | | |
|-------|-------|-------|-------|
| 11 | 21 | 22 | 33 |
| 312 | 413 | 549 | 782 |
| 216 | 283 | 374 | 531 |
| 415 | 555 | 739 | 1.055 |
| 390 | 517 | 686 | 977 |
| 270 | 354 | 468 | 664 |
| 519 | 694 | 924 | 1.319 |
| 468 | 620 | 824 | 1.172 |
| 324 | 424 | 562 | 796 |
| 623 | 832 | 1.109 | 1.582 |
| 547 | 723 | 961 | 1.368 |
| 378 | 495 | 655 | 929 |
| 727 | 971 | 1.294 | 1.846 |
| 624 | 827 | 1.098 | 1.563 |
| 432 | 566 | 749 | 1.062 |
| 830 | 1.110 | 1.478 | 2.110 |
| 702 | 930 | 1.235 | 1.758 |
| 486 | 636 | 842 | 1.195 |
| 934 | 1.248 | 1.663 | 2.373 |
| 780 | 1.033 | 1.373 | 1.954 |
| 540 | 707 | 936 | 1.328 |
| 1.038 | 1.387 | 1.848 | 2.637 |
| 859 | 1.137 | 1.510 | 2.150 |
| 594 | 778 | 1.030 | 1.461 |
| 1.142 | 1.526 | 2.033 | 2.901 |
| 937 | 1.239 | 1.648 | 2.344 |
| 649 | 848 | 1.123 | 1.593 |
| 1.246 | 1.664 | 2.218 | 3.164 |
| 1.092 | 1.447 | 1.922 | 2.736 |
| 756 | 989 | 1.310 | 1.859 |
| 1.453 | 1.942 | 2.587 | 3.692 |
| 1.249 | 1.653 | 2.197 | 3.126 |
| 865 | 1.131 | 1.498 | 2.124 |
| 1.661 | 2.219 | 2.957 | 4.219 |
| 1.404 | 1.860 | 2.471 | 3.517 |
| 972 | 1.272 | 1.684 | 2.390 |
| 1.868 | 2.497 | 3.326 | 4.747 |
| 1.561 | 2.066 | 2.746 | 3.908 |
| 1.081 | 1.413 | 1.872 | 2.655 |
| 2.076 | 2.774 | 3.696 | 5.274 |
| | | | |
| | | | |
| | | | |
| | | | |

| 900 | | | |
|-------|-------|-------|-------|
| 11 | 21 | 22 | 33 |
| 378 | 504 | 665 | 956 |
| 261 | 345 | 451 | 649 |
| 504 | 676 | 900 | 1.290 |
| 472 | 630 | 832 | 1.194 |
| 326 | 432 | 564 | 811 |
| 630 | 845 | 1.126 | 1.613 |
| 567 | 756 | 999 | 1.433 |
| 391 | 518 | 676 | 973 |
| 756 | 1.014 | 1.351 | 1.935 |
| 661 | 882 | 1.165 | 1.673 |
| 456 | 605 | 789 | 1.136 |
| 882 | 1.183 | 1.576 | 2.258 |
| 756 | 1.008 | 1.331 | 1.911 |
| 521 | 691 | 902 | 1.298 |
| 1.008 | 1.352 | 1.801 | 2.580 |
| 850 | 1.134 | 1.498 | 2.150 |
| 586 | 777 | 1.014 | 1.460 |
| 1.134 | 1.521 | 2.026 | 2.903 |
| 945 | 1.260 | 1.664 | 2.389 |
| 651 | 864 | 1.127 | 1.622 |
| 1.260 | 1.690 | 2.251 | 3.225 |
| 1.039 | 1.386 | 1.830 | 2.628 |
| 717 | 950 | 1.240 | 1.785 |
| 1.386 | 1.859 | 2.476 | 3.548 |
| 1.133 | 1.513 | 1.997 | 2.867 |
| 782 | 1.036 | 1.352 | 1.947 |
| 1.512 | 2.028 | 2.701 | 3.870 |
| 1.322 | 1.765 | 2.329 | 3.344 |
| 912 | 1.209 | 1.578 | 2.271 |
| 1.764 | 2.366 | 3.151 | 4.515 |
| 1.511 | 2.017 | 2.662 | 3.822 |
| 1.042 | 1.382 | 1.803 | 2.596 |
| 2.016 | 2.704 | 3.602 | 5.160 |
| 1.700 | 2.269 | 2.995 | 4.300 |
| 1.173 | 1.554 | 2.029 | 2.920 |
| 2.268 | 3.042 | 4.052 | 5.805 |
| 1.889 | 2.521 | 3.328 | 4.778 |
| 1.303 | 1.727 | 2.254 | 3.245 |
| 2.520 | 3.380 | 4.502 | 6.450 |
| | | | |
| | | | |
| | | | |
| | | | |

General information

PLANAR STYLE 8

The Planar Style 8 is with a stylish front, perfectly fitting side panels and upper grille a decorative radiator that creates an atmosphere of light and space. Furthermore you have, thanks to the 4 side- and 4 bottom connections, a variety of connection possibilities. This makes the Planar Style 8 easy to install and applicable in about every situation. In addition, it offers a uniform wall distance of 65 mm for all types at the center connection.

| | |
|-----------------------------|--|
| Product: | decorative valve radiator with a stylish front and 8 connections |
| Finishing: | decorative stylish front, upper grille and side panels |
| Pre-installed: | preset Heimeier 4368 or 4369 valve insert, air vent and blind plugs |
| Valve insert: | The integrated adjustable valve insert (without thermostatic head) is factory-fit on the right side of the radiator; CEN certified, tested in accordance with EN215 and compatible with thermostatic heads M30 x 1,5 mm. The thermostatic valve insert is factory-set in relation to the size of the radiator. This presetting ensures optimum throughput in the radiator. Factory setting for two-pipe systems, also suitable for one-pipe systems (as long as the valve insert is adjusted to position 8). |
| Also supplied: | Monclac brackets with anti-lift (VDI compliant when used in combination with included anti-slide clips), screws, plugs and installation instructions |
| Connections: | 4 x ¾" male Eurocone bottom connection (2 x centre and 2 x lateral) and 4 x ½" female side connection. Uniform wall distance of 65 mm for all types at the centre connection. |
| Lugs: | Type 11 is equipped with 2 pairs of mounting lugs up to 1.600 mm and 3 pairs from 1.800 mm |
| Packaging: | Every radiator is sturdily packaged in high-quality cardboard and wrapped in plastic. The radiator's characteristics are shown on the label: type – height – length. |
| Warranty: | 10 years, as long as the installation instructions have been followed and Stelrad's warranty conditions have been met. |
| Paint process: | All radiators are degreased, phosphated, cathodically primed and powder-coated in Stelrad white 9016 as standard. |
| Colours: | Stelrad white 9016 + 35 different Stelrad colours and about 200 RAL-colours are possible |
| Max. operating pressure: | 10 bar (tested to 13 bar) |
| Max. operating temperature: | 110 °C |
| Conformity: | in accordance with EN442 |
| Quality assurance: | NF |
| Types: | 11 21 22 33 |
| Heights: | 300 400 500 600 700 900 mm |
| Lengths: | 400 – 2.000 mm |
| Depths: | 63 79 102 160 mm |



2018

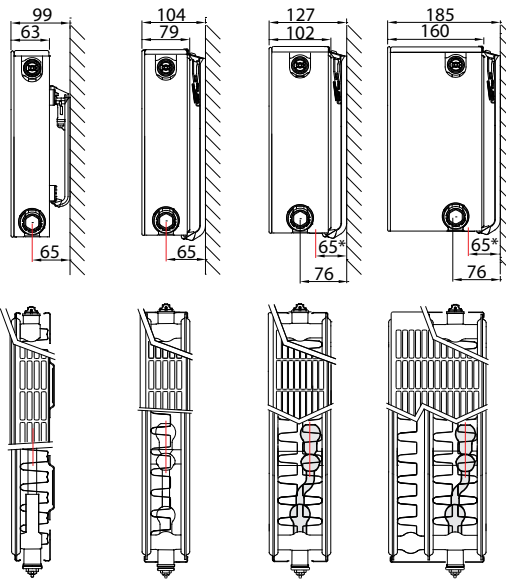
Type overview

Calculation factor
per meter
at 75/65/20°C
according to EN442

Characteristic equation:

$$\Phi = K_M \times \Delta T^n$$

* centre connection only



| Height | | Type 11 | Type 21 | Type 22 | Type 33 | Centre distance |
|--------|----------------|---------|---------|---------|---------|-----------------|
| 300 | W | | | 898 | 1.287 | 250 |
| | kg | | | 19,30 | 27,60 | |
| | l | | | 3,10 | 5,40 | |
| | m ² | | | 3,51 | 5,26 | |
| | n | | | 1,30 | 1,30 | |
| 400 | W | 614 | 870 | 1.153 | 1.649 | 350 |
| | kg | 16,20 | 22,60 | 25,67 | 36,63 | |
| | l | 2,30 | 4,15 | 4,13 | 6,63 | |
| | m ² | 2,95 | 3,37 | 4,92 | 7,38 | |
| | n | 1,27 | 1,30 | 1,30 | 1,31 | |
| 500 | W | 746 | 1.038 | 1.388 | 1.979 | 450 |
| | kg | 20,23 | 28,00 | 32,03 | 45,67 | |
| | l | 2,77 | 5,20 | 5,17 | 7,87 | |
| | m ² | 3,80 | 4,31 | 6,33 | 9,49 | |
| | n | 1,28 | 1,30 | 1,31 | 1,32 | |
| 600 | W | 870 | 1.196 | 1.601 | 2.280 | 550 |
| | kg | 24,27 | 33,60 | 38,40 | 54,70 | |
| | l | 3,23 | 6,25 | 6,20 | 9,10 | |
| | m ² | 4,66 | 5,24 | 7,74 | 11,61 | |
| | n | 1,28 | 1,31 | 1,31 | 1,32 | |
| 700 | W | 987 | 1.350 | 1.796 | 2.553 | 650 |
| | kg | 28,30 | 39,20 | 44,70 | 63,60 | |
| | l | 3,70 | 7,30 | 7,03 | 10,63 | |
| | m ² | 5,51 | 6,18 | 9,15 | 13,72 | |
| | n | 1,28 | 1,31 | 1,32 | 1,33 | |
| 900 | W | 1.200 | 1.649 | 2.132 | 3.022 | 850 |
| | kg | 35,90 | 50,60 | 57,30 | 81,40 | |
| | l | 4,50 | 9,00 | 8,70 | 13,70 | |
| | m ² | 7,22 | 8,05 | 11,97 | 17,96 | |
| | n | 1,28 | 1,32 | 1,32 | 1,33 | |

W=heat output per meter / kg=weight per meter / l=content per meter / m²=surface per meter / n=exponent
The manufacturer reserves the right to alter any of the specifications shown in this document without prior notice.

PLANAR STYLE 8

Heat outputs according to EN442



EN442 (W) 70/50/20°C

EN442 (W) 55/45/20°C

EN442 (W) 75/65/20°C

Stelrad BV/PL24/0020/EC007

| Height | 300 | |
|-------------|-----------------------|-------------------------|
| | 22 | 33 |
| 400 | | |
| 500 | 336 231 449 | 482 331 644 |
| 600 | | |
| 700 | | |
| 800 | 537 370 718 | 770 530 1.030 |
| 900 | 605 416 808 | 866 596 1.158 |
| 1000 | 672 463 898 | 963 662 1.287 |
| 1200 | 807 555 1.078 | 1.155 794 1.544 |
| 1400 | 941 648 1.257 | 1.348 927 1.802 |
| 1600 | 1.076 740 1.437 | 1.540 1.059 2.059 |
| 1800 | 1.210 833 1.616 | 1.733 1.192 2.317 |
| 2000 | 1.344 925 1.796 | 1.925 1.324 2.574 |

| 400 | | | |
|---------------------|-----------------------|-------------------------|-------------------------|
| 11 | 21 | 22 | 33 |
| | | | |
| 231 160 307 | 326 224 435 | 431 296 577 | 615 422 825 |
| 277 192 368 | 391 269 522 | 517 356 692 | 739 507 989 |
| 324 224 430 | 456 314 609 | 603 415 807 | 862 592 1.154 |
| 370 256 491 | 521 359 696 | 689 474 922 | 985 676 1.319 |
| 416 289 553 | 586 404 783 | 776 533 1.038 | 1.108 761 1.484 |
| 462 320 614 | 652 449 870 | 862 593 1.153 | 1.231 845 1.649 |
| 555 385 737 | 782 539 1.044 | 1.035 711 1.384 | 1.478 1.014 1.979 |
| 647 449 860 | 912 628 1.218 | 1.207 829 1.614 | 1.724 1.184 2.309 |
| 739 512 982 | 1.043 718 1.392 | 1.379 948 1.845 | 1.970 1.352 2.638 |
| 832 577 1.105 | 1.173 808 1.566 | 1.551 1.066 2.075 | 2.217 1.521 2.968 |
| 924 641 1.228 | 1.303 898 1.740 | 1.724 1.185 2.306 | 2.463 1.690 3.298 |

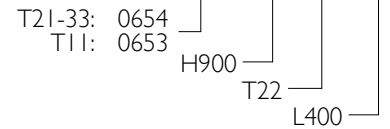
| 500 | | | |
|-----------------------|-------------------------|-------------------------|-------------------------|
| 11 | 21 | 22 | 33 |
| 224 155 298 | 310 213 415 | 414 284 555 | 591 405 792 |
| 281 194 373 | 388 267 519 | 518 356 694 | 738 506 990 |
| 337 234 448 | 466 320 623 | 622 427 833 | 885 606 1.187 |
| 393 272 522 | 544 374 727 | 726 498 972 | 1.033 707 1.385 |
| 449 311 597 | 621 427 830 | 829 569 1.110 | 1.180 809 1.583 |
| 505 350 671 | 698 480 934 | 933 640 1.249 | 1.328 910 1.781 |
| 561 389 746 | 776 534 1.038 | 1.036 711 1.388 | 1.476 1.011 1.979 |
| 673 467 895 | 932 641 1.246 | 1.244 854 1.666 | 1.771 1.213 2.375 |
| 785 544 1.044 | 1.087 747 1.453 | 1.451 996 1.943 | 2.066 1.415 2.771 |
| 898 622 1.194 | 1.242 854 1.661 | 1.658 1.138 2.221 | 2.361 1.617 3.166 |
| 1.010 700 1.343 | 1.397 960 1.868 | 1.865 1.280 2.498 | 2.656 1.819 3.562 |
| 1.123 778 1.492 | 1.552 1.067 2.076 | 2.073 1.423 2.776 | 2.951 2.022 3.958 |

Core assortment (Stelrad white 9016) available ex factory within 10 days.
Core assortment is subject to change, please refer to www.stelrad.eu for the latest information.
Delivery time depends on the model, please refer to your distributor.

PLANAR STYLE 8

On the label:
8-CONNECTIONS DECO

Art. 0654 09 22 04



| Height | 600 | | | |
|--------|-------|-------|-------|-------|
| | 11 | 21 | 22 | 33 |
| 400 | 262 | 357 | 477 | 679 |
| | 181 | 245 | 327 | 464 |
| | 348 | 478 | 640 | 912 |
| 500 | 327 | 447 | 597 | 849 |
| | 227 | 307 | 409 | 580 |
| | 435 | 598 | 801 | 1.140 |
| 600 | 393 | 536 | 717 | 1.018 |
| | 272 | 368 | 491 | 696 |
| | 522 | 718 | 961 | 1.368 |
| 700 | 458 | 625 | 836 | 1.188 |
| | 317 | 430 | 573 | 812 |
| | 609 | 837 | 1.121 | 1.596 |
| 800 | 523 | 715 | 955 | 1.358 |
| | 363 | 491 | 655 | 928 |
| | 696 | 957 | 1.281 | 1.824 |
| 900 | 589 | 804 | 1.075 | 1.528 |
| | 408 | 552 | 736 | 1.044 |
| | 783 | 1.076 | 1.441 | 2.052 |
| 1000 | 654 | 894 | 1.194 | 1.697 |
| | 453 | 614 | 818 | 1.160 |
| | 870 | 1.196 | 1.601 | 2.280 |
| 1200 | 785 | 1.072 | 1.433 | 2.037 |
| | 544 | 736 | 982 | 1.392 |
| | 1.044 | 1.435 | 1.921 | 2.736 |
| 1400 | 916 | 1.251 | 1.671 | 2.376 |
| | 634 | 859 | 1.145 | 1.625 |
| | 1.218 | 1.674 | 2.241 | 3.192 |
| 1600 | 1.047 | 1.430 | 1.911 | 2.716 |
| | 725 | 982 | 1.309 | 1.857 |
| | 1.392 | 1.914 | 2.562 | 3.648 |
| 1800 | 1.178 | 1.609 | 2.149 | 3.055 |
| | 816 | 1.105 | 1.473 | 2.089 |
| | 1.566 | 2.153 | 2.882 | 4.104 |
| 2000 | 1.309 | 1.787 | 2.388 | 3.395 |
| | 906 | 1.227 | 1.636 | 2.321 |
| | 1.740 | 2.392 | 3.202 | 4.560 |

| 700 | | | |
|-------|-------|-------|-------|
| 11 | 21 | 22 | 33 |
| 297 | 403 | 535 | 760 |
| 206 | 277 | 366 | 519 |
| 395 | 540 | 718 | 1.021 |
| 371 | 504 | 669 | 949 |
| 257 | 346 | 458 | 648 |
| 494 | 675 | 898 | 1.277 |
| 445 | 605 | 803 | 1.140 |
| 308 | 415 | 550 | 778 |
| 592 | 810 | 1.078 | 1.532 |
| 519 | 705 | 937 | 1.329 |
| 360 | 484 | 641 | 908 |
| 691 | 945 | 1.257 | 1.787 |
| 594 | 806 | 1.071 | 1.519 |
| 411 | 553 | 733 | 1.037 |
| 790 | 1.080 | 1.437 | 2.042 |
| 668 | 907 | 1.204 | 1.710 |
| 462 | 622 | 824 | 1.167 |
| 888 | 1.215 | 1.616 | 2.298 |
| 742 | 1.008 | 1.338 | 1.899 |
| 514 | 691 | 916 | 1.297 |
| 987 | 1.350 | 1.796 | 2.553 |
| 890 | 1.209 | 1.606 | 2.279 |
| 616 | 830 | 1.099 | 1.557 |
| 1.184 | 1.620 | 2.155 | 3.064 |
| 1.039 | 1.411 | 1.874 | 2.659 |
| 719 | 968 | 1.282 | 1.816 |
| 1.382 | 1.890 | 2.514 | 3.574 |
| 1.187 | 1.613 | 2.142 | 3.039 |
| 822 | 1.106 | 1.466 | 2.075 |
| 1.579 | 2.160 | 2.874 | 4.085 |
| 1.336 | 1.814 | 2.409 | 3.418 |
| 925 | 1.245 | 1.649 | 2.334 |
| 1.777 | 2.430 | 3.233 | 4.595 |
| 1.484 | 2.016 | 2.677 | 3.798 |
| 1.027 | 1.383 | 1.832 | 2.594 |
| 1.974 | 2.700 | 3.592 | 5.106 |

| 900 | | | |
|-------|-------|-------|-------|
| 11 | 21 | 22 | 33 |
| 361 | 492 | 635 | 898 |
| 250 | 337 | 434 | 612 |
| 480 | 660 | 853 | 1.209 |
| 451 | 614 | 793 | 1.122 |
| 312 | 421 | 542 | 765 |
| 600 | 825 | 1.066 | 1.511 |
| 541 | 737 | 952 | 1.347 |
| 375 | 505 | 650 | 918 |
| 720 | 989 | 1.279 | 1.813 |
| 632 | 860 | 1.110 | 1.571 |
| 437 | 589 | 759 | 1.071 |
| 840 | 1.154 | 1.492 | 2.115 |
| 722 | 983 | 1.270 | 1.796 |
| 500 | 673 | 867 | 1.224 |
| 960 | 1.319 | 1.706 | 2.418 |
| 812 | 1.106 | 1.428 | 2.020 |
| 562 | 758 | 976 | 1.377 |
| 1.080 | 1.484 | 1.919 | 2.720 |
| 902 | 1.229 | 1.587 | 2.245 |
| 625 | 842 | 1.084 | 1.530 |
| 1.200 | 1.649 | 2.132 | 3.022 |
| 1.083 | 1.475 | 1.904 | 2.693 |
| 750 | 1.011 | 1.300 | 1.836 |
| 1.440 | 1.979 | 2.558 | 3.626 |
| 1.263 | 1.722 | 2.221 | 3.143 |
| 875 | 1.179 | 1.518 | 2.142 |
| 1.680 | 2.309 | 2.985 | 4.231 |
| 1.444 | 1.967 | 2.538 | 3.591 |
| 1.000 | 1.347 | 1.734 | 2.448 |
| 1.920 | 2.638 | 3.411 | 4.835 |
| 1.624 | 2.213 | 2.856 | 4.041 |
| 1.125 | 1.515 | 1.951 | 2.754 |
| 2.160 | 2.968 | 3.838 | 5.440 |
| 1.805 | 2.459 | 3.173 | 4.489 |
| 1.250 | 1.684 | 2.168 | 3.060 |
| 2.400 | 3.298 | 4.264 | 6.044 |

General information

HYGIENE PLANAR 8

The Hygiene Planar 8 is a decorative radiator with a flat front, without convection fins and without upper grille and side panels, for each project where hygiene is of great importance. With its flat front, the radiator has a timeless design. Furthermore you have, thanks to the 4 side- and 4 bottom connections, a variety of connection possibilities. In addition, it offers a uniform wall distance of 65 mm for types 20 and 30 at the centre connection.

| | |
|-----------------------------|--|
| Product: | decorative naked valve radiator without convection fins with 8 connections and a flat front |
| Finishing: | decorative flat front, without upper grille and side panels |
| Pre-installed: | preset Heimeier 4368 or 4369 valve insert, air vent and blind plugs |
| Valve insert: | The integrated adjustable valve insert (without thermostatic head) is factory-fit on the right side of the radiator; CEN certified, tested in accordance with EN215 and compatible with thermostatic heads M30 x 1,5 mm. The thermostatic valve insert is factory-set in relation to the size of the radiator. This presetting ensures optimum throughput in the radiator. Factory setting for two-pipe systems, also suitable for one-pipe systems (as long as the valve insert is adjusted to position 8). |
| Also supplied: | Monclac brackets with anti-lift (VDI compliant when used in combination with included anti-slide clips), screws, plugs and installation instructions |
| Connections: | 4 x ¾" male Eurocone bottom connection (2 x centre and 2 x lateral) and 4 x ½" female side connection. Uniform wall distance of 65 mm for types 20 and 30 at the centre connection. |
| Lugs: | Type 10 is equipped with 2 pairs of mounting lugs |
| Packaging: | Every radiator is sturdily packaged in high-quality cardboard and wrapped in plastic. The radiator's characteristics are shown on the label: type – height – length. |
| Warranty: | 10 years, as long as the installation instructions have been followed and Stelrad's warranty conditions have been met. |
| Paint process: | All radiators are degreased, phosphated, cataphoretically primed and powder-coated in Stelrad white 9016 as standard. |
| Colours: | Stelrad white 9016 + 35 different Stelrad colours and about 200 RAL-colours are possible |
| Max. operating pressure: | 10 bar (tested to 13 bar) |
| Max. operating temperature: | 110 °C |
| Conformity: | in accordance with EN442 |
| Quality assurance: | NF: Types 20 & 30 |
| Types: | 10 20 30 |
| Heights: | 400 500 600 700 900 mm |
| Lengths: | 400 – 1.600 mm |
| Depths: | 49 79 160 mm |



2022

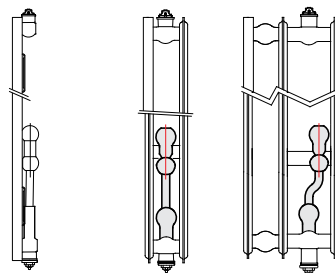
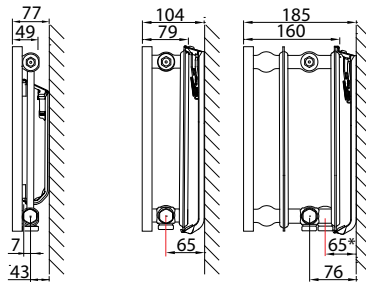
Type overview

Calculation factor
per meter
at 75/65/20°C
according to EN442

Characteristic equation:

$$\Phi = K_M \times \Delta T^n$$

* centre connection only



| Height | | Type 10 | Type 20 | Type 30 | Centre distance |
|--------|----------------|---------|---------|---------|-----------------|
| 400 | W | 394 | 680 | 983 | 350 |
| | kg | 10,79 | 19,26 | 28,53 | |
| | l | 2,35 | 4,49 | 6,57 | |
| | m ² | 0,91 | 1,83 | 2,73 | |
| | n | 1,27 | 1,30 | 1,30 | |
| 500 | W | 481 | 820 | 1.168 | 450 |
| | kg | 13,15 | 23,88 | 35,07 | |
| | l | 2,85 | 5,70 | 7,93 | |
| | m ² | 1,14 | 2,28 | 3,24 | |
| | n | 1,27 | 1,31 | 1,28 | |
| 600 | W | 562 | 952 | 1.357 | 550 |
| | kg | 15,50 | 28,50 | 41,60 | |
| | l | 3,35 | 6,90 | 9,30 | |
| | m ² | 1,37 | 2,74 | 4,11 | |
| | n | 1,27 | 1,31 | 1,27 | |
| 700 | W | 636 | 1.077 | 1.550 | 650 |
| | kg | 18,15 | 33,33 | 48,10 | |
| | l | 3,83 | 7,57 | 10,77 | |
| | m ² | 1,60 | 3,20 | 4,79 | |
| | n | 1,27 | 1,32 | 1,29 | |
| 900 | W | 765 | 1.308 | 1.959 | 850 |
| | kg | 23,45 | 43,00 | 61,10 | |
| | l | 4,80 | 8,90 | 13,70 | |
| | m ² | 2,06 | 4,12 | 6,18 | |
| | n | 1,27 | 1,33 | 1,33 | |

W=heat output per meter / kg=weight per meter / l=content per meter / m²=surface per meter / n=exponent
The manufacturer reserves the right to alter any of the specifications shown in this document without prior notice.

HYGIENE PLANAR 8

Heat outputs according to EN442



EN442 (W) 70/50/20°C

EN442 (W) 55/45/20°C

EN442 (W) 75/65/20°C

Stelrad_BV/PL24/0020/EC007

| Height | 400 | | | |
|--------|------|-------|-------|-----|
| | Type | 10 | 20 | 30 |
| 400 | | | 203 | 294 |
| | | | 140 | 202 |
| | | | 272 | 393 |
| 500 | 149 | 254 | 368 | |
| | 103 | 175 | 253 | |
| | 197 | 340 | 492 | |
| 600 | 178 | 305 | 441 | |
| | 124 | 210 | 304 | |
| | 236 | 408 | 590 | |
| 700 | 208 | 356 | 515 | |
| | 145 | 245 | 354 | |
| | 276 | 476 | 688 | |
| 800 | 237 | 407 | 588 | |
| | 165 | 280 | 404 | |
| | 315 | 544 | 786 | |
| 900 | 268 | 458 | 662 | |
| | 186 | 315 | 455 | |
| | 355 | 612 | 885 | |
| 1000 | 297 | 509 | 735 | |
| | 206 | 350 | 506 | |
| | 394 | 680 | 983 | |
| 1100 | 326 | 559 | 809 | |
| | 227 | 385 | 556 | |
| | 433 | 748 | 1.081 | |
| 1200 | 357 | 610 | 883 | |
| | 248 | 420 | 607 | |
| | 473 | 816 | 1.180 | |
| 1400 | 416 | 712 | 1.029 | |
| | 289 | 490 | 708 | |
| | 552 | 952 | 1.376 | |
| 1600 | 475 | 814 | 1.177 | |
| | 330 | 559 | 809 | |
| | 630 | 1.088 | 1.573 | |

| 500 | | |
|-----|-------|-------|
| 10 | 20 | 30 |
| | 245 | 351 |
| | 168 | 242 |
| | 328 | 467 |
| 181 | 306 | 439 |
| 126 | 210 | 303 |
| 241 | 410 | 584 |
| 218 | 368 | 526 |
| 151 | 253 | 364 |
| 289 | 492 | 701 |
| 254 | 429 | 614 |
| 177 | 295 | 425 |
| 337 | 574 | 818 |
| 290 | 490 | 701 |
| 202 | 337 | 485 |
| 385 | 656 | 934 |
| 326 | 552 | 789 |
| 227 | 379 | 545 |
| 433 | 738 | 1.051 |
| 363 | 613 | 877 |
| 252 | 421 | 606 |
| 481 | 820 | 1.168 |
| 399 | 674 | 965 |
| 277 | 463 | 667 |
| 529 | 902 | 1.285 |
| 435 | 735 | 1.053 |
| 302 | 505 | 728 |
| 577 | 984 | 1.402 |
| 507 | 858 | 1.228 |
| 353 | 589 | 849 |
| 673 | 1.148 | 1.635 |
| 581 | 980 | 1.403 |
| 403 | 674 | 970 |
| 770 | 1.312 | 1.869 |

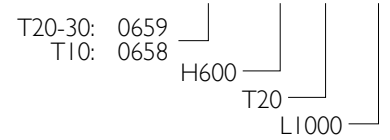
| 600 | | |
|-----|-------|-------|
| 10 | 20 | 30 |
| | 285 | 409 |
| | 195 | 284 |
| | 381 | 543 |
| 212 | 355 | 511 |
| 147 | 244 | 355 |
| 281 | 476 | 679 |
| 254 | 426 | 614 |
| 177 | 293 | 426 |
| 337 | 571 | 814 |
| 296 | 497 | 716 |
| 206 | 341 | 497 |
| 393 | 666 | 950 |
| 339 | 569 | 819 |
| 236 | 391 | 568 |
| 450 | 762 | 1.086 |
| 382 | 640 | 920 |
| 265 | 439 | 639 |
| 506 | 857 | 1.221 |
| 424 | 711 | 1.023 |
| 294 | 488 | 710 |
| 562 | 952 | 1.357 |
| 466 | 782 | 1.125 |
| 324 | 537 | 782 |
| 618 | 1.047 | 1.493 |
| 508 | 853 | 1.227 |
| 353 | 585 | 852 |
| 674 | 1.142 | 1.628 |
| 593 | 995 | 1.432 |
| 412 | 683 | 995 |
| 787 | 1.333 | 1.900 |
| 678 | 1.137 | 1.636 |
| 471 | 781 | 1.136 |
| 899 | 1.523 | 2.171 |

Core assortment (Stelrad white 9016) available ex factory within 10 days.
 Core assortment is subject to change, please refer to www.stelrad.eu for the latest information.
 Delivery time depends on the model, please refer to your distributor.

HYGIENE PLANAR 8

On the label:
8-CONNECTIONS HYGIENE PLAN

Art. 0659 06 20 10



| Height | 700 | | |
|-------------|---------------------|-----------------------|-------------------------|
| | 10 | 20 | 30 |
| 400 | | 321 220 431 | 465 321 620 |
| 500 | 240 167 318 | 401 275 539 | 581 401 775 |
| 600 | 288 200 382 | 482 330 646 | 698 482 930 |
| 700 | 336 233 445 | 562 385 754 | 814 562 1.085 |
| 800 | 384 267 509 | 643 440 862 | 930 642 1.240 |
| 900 | 431 300 572 | 722 495 969 | 1.046 722 1.395 |
| 1000 | 480 333 636 | 803 550 1.077 | 1.163 803 1.550 |
| 1100 | 528 367 700 | 884 605 1.185 | 1.279 883 1.705 |
| 1200 | 575 400 763 | 963 660 1.292 | 1.395 963 1.860 |
| 1400 | 671 466 890 | 1.124 770 1.508 | 1.628 1.124 2.170 |
| 1600 | 768 533 1.018 | 1.285 880 1.723 | 1.860 1.284 2.480 |

| Height | 900 | | |
|-------------|---------------------|-------------------------|-------------------------|
| | 10 | 20 | 30 |
| 400 | | 389 265 523 | 583 397 784 |
| 500 | 288 200 383 | 486 332 654 | 728 497 980 |
| 600 | 346 240 459 | 583 398 785 | 873 595 1.175 |
| 700 | 404 281 536 | 681 464 916 | 1.019 695 1.371 |
| 800 | 461 321 612 | 777 530 1.046 | 1.164 794 1.567 |
| 900 | 519 360 689 | 875 597 1.177 | 1.310 893 1.763 |
| 1000 | 577 401 765 | 972 663 1.308 | 1.456 993 1.959 |
| 1100 | 635 441 842 | 1.070 730 1.439 | 1.601 1.092 2.155 |
| 1200 | 692 481 918 | 1.167 796 1.570 | 1.747 1.191 2.351 |
| 1400 | 807 561 1.071 | 1.361 928 1.831 | 2.038 1.390 2.743 |
| 1600 | 923 641 1.224 | 1.556 1.061 2.093 | 2.329 1.588 3.134 |

General information

PLANAR

The Planar radiator was the first in a series of decorative Stelrad radiators. Its flat front, closely fitted decorative upper grille and side panels offer you a stylish alternative for a multitude of applications. With its sleek and timeless design, the Planar easily compliments Stelrad's other decorative ranges. The Planar can be connected either as a valve or compact radiator.

| | |
|-----------------------------|---|
| Product: | decorative valve radiator with a flat front |
| Finishing: | decorative flat front, upper grille and side panels |
| Pre-installed: | preset Heimeier 4368 or 4369 valve insert, air vent and blind plugs |
| Valve insert: | The integrated adjustable valve insert (without thermostatic head) is factory-fit on the right side of the radiator; CEN certified, tested in accordance with EN215 and compatible with thermostatic heads M30 x 1,5 mm. The thermostatic valve insert is factory-set in relation to the size of the radiator. This presetting ensures optimum throughput in the radiator. Factory setting for two-pipe systems, also suitable for one-pipe systems (as long as the valve insert is adjusted to position 8). |
| Also supplied: | VDI brackets with anti-lift (type Monclac), screws, plugs and installation instructions |
| Connections: | 6 x 1/2" female connection (2 x 1/2" lateral bottom connection included). Left version is available on request. |
| Lugs: | 2 pairs of mounting lugs up to 1.600 mm and 3 pairs from 1.800 mm |
| Packaging: | Every radiator is sturdily packaged in high-quality cardboard and wrapped in plastic. The radiator's characteristics are shown on the label: type – height – length. |
| Warranty: | 10 years, as long as the installation instructions have been followed and Stelrad's warranty conditions have been met. |
| Paint process: | All radiators are degreased, phosphated, cathodically primed and powder-coated in Stelrad white 9016 as standard. |
| Colours: | Stelrad white 9016 + 35 different Stelrad colours and about 200 RAL-colours are possible |
| Max. operating pressure: | 10 bar (tested to 13 bar) |
| Max. operating temperature: | 110 °C |
| Conformity: | in accordance with EN442 |
| Quality assurance: | NF |
| Types: | 11 21 22 33 |
| Heights: | 300 400 500 600 700 900 mm |
| Lengths: | 400 – 3.000 mm |
| Depths: | 63 79 102 160 mm |

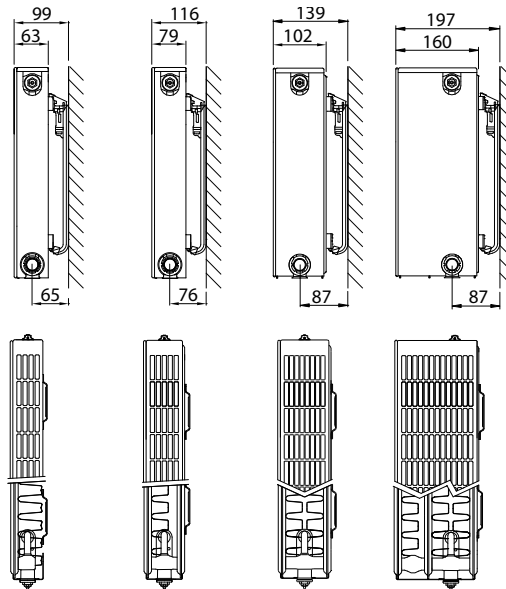


Type overview

Calculation factor
per meter
at 75/65/20°C
according to EN442

Characteristic equation:

$$\Phi = K_M \times \Delta T^n$$



| Height | | Type 11 | Type 21 | Type 22 | Type 33 | Centre distance |
|--------|----------------|---------|---------|---------|---------|-----------------|
| 300 | W | | | 929 | 1.346 | 250 |
| | kg | | | 19,60 | 28,00 | |
| | l | | | 3,70 | 5,40 | |
| | m ² | | | 3,51 | 5,26 | |
| | n | | | 1,30 | 1,31 | |
| 400 | W | 626 | | 1.177 | 1.690 | 350 |
| | kg | 16,13 | | 26,40 | 38,13 | |
| | l | 2,34 | | 4,67 | 6,87 | |
| | m ² | 2,95 | | 4,92 | 7,38 | |
| | n | 1,29 | | 1,30 | 1,32 | |
| 500 | W | 774 | 1.062 | 1.411 | 2.017 | 450 |
| | kg | 20,39 | 28,89 | 33,20 | 48,27 | |
| | l | 2,80 | 5,63 | 5,63 | 8,33 | |
| | m ² | 3,80 | 4,31 | 6,33 | 9,49 | |
| | n | 1,28 | 1,32 | 1,31 | 1,33 | |
| 600 | W | 911 | 1.227 | 1.634 | 2.332 | 550 |
| | kg | 24,65 | 34,90 | 40,00 | 58,40 | |
| | l | 3,25 | 6,60 | 6,60 | 9,80 | |
| | m ² | 4,66 | 5,24 | 7,74 | 11,61 | |
| | n | 1,27 | 1,32 | 1,32 | 1,34 | |
| 700 | W | 1.038 | 1.387 | 1.848 | 2.637 | 650 |
| | kg | 28,91 | 40,91 | 46,80 | 68,53 | |
| | l | 3,77 | 7,63 | 7,63 | 11,37 | |
| | m ² | 5,51 | 6,18 | 9,15 | 13,72 | |
| | n | 1,28 | 1,32 | 1,33 | 1,34 | |
| 900 | W | 1.260 | 1.690 | 2.251 | 3.225 | 850 |
| | kg | 37,43 | 52,94 | 60,40 | 88,80 | |
| | l | 4,80 | 9,70 | 9,70 | 14,50 | |
| | m ² | 7,22 | 8,05 | 11,97 | 17,96 | |
| | n | 1,29 | 1,31 | 1,35 | 1,34 | |

W=heat output per meter / kg=weight per meter / l=content per meter / m²=surface per meter / n=exponent
The manufacturer reserves the right to alter any of the specifications shown in this document without prior notice.

PLANAR

Heat outputs according to EN442



EN442 (W) 70/50/20°C

EN442 (W) 55/45/20°C

EN442 (W) 75/65/20°C

Stelrad BV/PL24/00/20/EC007

| Height | 300 | |
|-------------|-------|-------|
| | 22 | 33 |
| 400 | | 401 |
| | | 275 |
| | | 538 |
| 500 | 347 | 502 |
| | 239 | 344 |
| | 465 | 673 |
| 600 | 417 | 603 |
| | 287 | 413 |
| | 557 | 808 |
| 700 | 487 | 703 |
| | 335 | 482 |
| | 650 | 942 |
| 800 | 556 | 804 |
| | 383 | 551 |
| | 743 | 1.077 |
| 900 | 626 | 904 |
| | 431 | 619 |
| | 836 | 1.211 |
| 1000 | 696 | 1.004 |
| | 479 | 689 |
| | 929 | 1.346 |
| 1100 | 765 | 1.105 |
| | 527 | 758 |
| | 1.022 | 1.481 |
| 1200 | 835 | 1.205 |
| | 575 | 826 |
| | 1.115 | 1.615 |
| 1400 | 974 | 1.406 |
| | 671 | 964 |
| | 1.301 | 1.884 |
| 1600 | 1.113 | 1.607 |
| | 767 | 1.102 |
| | 1.486 | 2.154 |
| 1800 | 1.252 | 1.808 |
| | 863 | 1.239 |
| | 1.672 | 2.423 |
| 2000 | 1.391 | 2.009 |
| | 958 | 1.377 |
| | 1.858 | 2.692 |
| 2200 | 1.531 | 2.209 |
| | 1.054 | 1.515 |
| | 2.044 | 2.961 |
| 2400 | 1.670 | 2.410 |
| | 1.150 | 1.652 |
| | 2.230 | 3.230 |
| 2600 | 1.809 | |
| | 1.246 | |
| | 2.415 | |
| 2800 | 1.948 | |
| | 1.342 | |
| | 2.601 | |
| 3000 | 2.087 | |
| | 1.438 | |
| | 2.787 | |

| 400 | | |
|-------|-------|-------|
| 11 | 22 | 33 |
| 187 | 352 | |
| 129 | 242 | |
| 250 | 471 | |
| 235 | 440 | |
| 162 | 302 | |
| 313 | 589 | |
| 282 | 528 | 755 |
| 194 | 363 | 516 |
| 376 | 706 | 1.014 |
| 328 | 616 | |
| 226 | 423 | |
| 438 | 824 | |
| 376 | 704 | 1.007 |
| 259 | 484 | 688 |
| 501 | 942 | 1.352 |
| 422 | 792 | 1.132 |
| 291 | 544 | 774 |
| 563 | 1.059 | 1.521 |
| 469 | 880 | 1.258 |
| 324 | 605 | 860 |
| 626 | 1.177 | 1.690 |
| 516 | 968 | 1.384 |
| 356 | 665 | 946 |
| 689 | 1.295 | 1.859 |
| 563 | 1.055 | 1.510 |
| 388 | 725 | 1.032 |
| 751 | 1.412 | 2.028 |
| 657 | 1.232 | 1.761 |
| 453 | 847 | 1.204 |
| 876 | 1.648 | 2.366 |
| 751 | 1.408 | 2.013 |
| 518 | 967 | 1.376 |
| 1.002 | 1.883 | 2.704 |
| 845 | 1.584 | 2.265 |
| 583 | 1.088 | 1.548 |
| 1.127 | 2.119 | 3.042 |
| 939 | 1.760 | 2.516 |
| 647 | 1.209 | 1.720 |
| 1.252 | 2.354 | 3.380 |
| | 1.935 | 2.768 |
| | 1.330 | 1.892 |
| | 2.589 | 3.718 |
| | 2.112 | 3.020 |
| | 1.451 | 2.064 |
| | 2.825 | 4.056 |
| | 2.287 | |
| | 1.572 | |
| | 3.060 | |
| | 2.464 | |
| | 1.693 | |
| | 3.296 | |
| | 2.639 | |
| | 1.814 | |
| | 3.531 | |

| 500 | | | |
|-------|-------|-------|-------|
| 11 | 21 | 22 | 33 |
| 233 | 317 | 421 | 599 |
| 161 | 216 | 289 | 409 |
| 310 | 425 | 564 | 807 |
| 291 | 395 | 527 | 749 |
| 201 | 270 | 361 | 510 |
| 387 | 531 | 706 | 1.009 |
| 349 | 474 | 632 | 899 |
| 241 | 324 | 433 | 613 |
| 464 | 637 | 847 | 1.210 |
| 407 | 553 | 737 | 1.049 |
| 282 | 378 | 505 | 715 |
| 542 | 743 | 988 | 1.412 |
| 465 | 633 | 842 | 1.199 |
| 322 | 433 | 578 | 817 |
| 619 | 850 | 1.129 | 1.614 |
| 524 | 712 | 948 | 1.348 |
| 362 | 487 | 650 | 919 |
| 697 | 956 | 1.270 | 1.815 |
| 582 | 791 | 1.053 | 1.498 |
| 402 | 541 | 722 | 1.021 |
| 774 | 1.062 | 1.411 | 2.017 |
| 639 | 870 | 1.158 | 1.648 |
| 442 | 595 | 794 | 1.123 |
| 851 | 1.168 | 1.552 | 2.219 |
| 698 | 949 | 1.263 | 1.798 |
| 483 | 649 | 866 | 1.225 |
| 929 | 1.274 | 1.693 | 2.420 |
| 814 | 1.107 | 1.474 | 2.098 |
| 563 | 757 | 1.010 | 1.430 |
| 1.084 | 1.487 | 1.975 | 2.824 |
| 930 | 1.265 | 1.685 | 2.397 |
| 643 | 865 | 1.155 | 1.634 |
| 1.238 | 1.699 | 2.258 | 3.227 |
| 1.047 | 1.424 | 1.895 | 2.697 |
| 724 | 974 | 1.299 | 1.838 |
| 1.393 | 1.912 | 2.540 | 3.631 |
| 1.163 | 1.582 | 2.106 | 2.996 |
| 804 | 1.082 | 1.444 | 2.042 |
| 1.548 | 2.124 | 2.822 | 4.034 |
| 1.279 | 1.740 | 2.316 | 3.296 |
| 885 | 1.190 | 1.588 | 2.246 |
| 1.703 | 2.336 | 3.104 | 4.437 |
| 1.396 | 1.898 | 2.526 | 3.596 |
| 965 | 1.298 | 1.732 | 2.451 |
| 1.858 | 2.549 | 3.386 | 4.841 |
| | | 2.738 | |
| | | 1.877 | |
| | | 3.669 | |
| | | 2.948 | |
| | | 2.021 | |
| | | 3.951 | |
| | | 3.158 | |
| | | 2.165 | |
| | | 4.233 | |

PLANAR

On the label:
DESIGN/FLATFRONT
DESIGN/FLATFRONT L (Left)

Art. 0243 09 22 04

T11-33: 0243
T11-33: 0244

| Height | 600 | | | |
|-------------|-------|-------|-------|-------|
| Type | 11 | 21 | 22 | 33 |
| 400 | 274 | 365 | 487 | 691 |
| | 190 | 250 | 333 | 470 |
| | 364 | 491 | 654 | 933 |
| 500 | 343 | 457 | 608 | 864 |
| | 238 | 312 | 416 | 587 |
| | 456 | 614 | 817 | 1.166 |
| 600 | 412 | 548 | 730 | 1.037 |
| | 286 | 374 | 499 | 705 |
| | 547 | 736 | 980 | 1.399 |
| 700 | 480 | 639 | 852 | 1.209 |
| | 333 | 437 | 583 | 822 |
| | 638 | 859 | 1.144 | 1.632 |
| 800 | 549 | 731 | 973 | 1.383 |
| | 381 | 500 | 666 | 940 |
| | 729 | 982 | 1.307 | 1.866 |
| 900 | 617 | 822 | 1.096 | 1.556 |
| | 428 | 562 | 749 | 1.057 |
| | 820 | 1.104 | 1.471 | 2.099 |
| 1000 | 686 | 913 | 1.217 | 1.728 |
| | 476 | 624 | 832 | 1.174 |
| | 911 | 1.227 | 1.634 | 2.332 |
| 1100 | 754 | 1.005 | 1.338 | 1.901 |
| | 523 | 687 | 915 | 1.292 |
| | 1.002 | 1.350 | 1.797 | 2.565 |
| 1200 | 823 | 1.096 | 1.460 | 2.074 |
| | 571 | 749 | 999 | 1.409 |
| | 1.093 | 1.472 | 1.961 | 2.798 |
| 1400 | 960 | 1.279 | 1.704 | 2.420 |
| | 666 | 874 | 1.165 | 1.644 |
| | 1.275 | 1.718 | 2.288 | 3.265 |
| 1600 | 1.098 | 1.461 | 1.947 | 2.765 |
| | 761 | 999 | 1.331 | 1.879 |
| | 1.458 | 1.963 | 2.614 | 3.731 |
| 1800 | 1.235 | 1.644 | 2.190 | 3.111 |
| | 857 | 1.124 | 1.498 | 2.114 |
| | 1.640 | 2.209 | 2.941 | 4.198 |
| 2000 | 1.372 | 1.827 | 2.434 | 3.457 |
| | 952 | 1.249 | 1.665 | 2.349 |
| | 1.822 | 2.454 | 3.268 | 4.664 |
| 2200 | 1.509 | 2.009 | 2.677 | 3.802 |
| | 1.047 | 1.373 | 1.831 | 2.584 |
| | 2.004 | 2.699 | 3.595 | 5.130 |
| 2400 | 1.646 | 2.192 | 2.921 | 4.148 |
| | 1.142 | 1.498 | 1.998 | 2.819 |
| | 2.186 | 2.945 | 3.922 | 5.597 |
| 2600 | | | 3.164 | |
| | | | 2.164 | 4.248 |
| 2800 | | | 3.407 | |
| | | | 2.330 | 4.575 |
| 3000 | | | 3.651 | |
| | | | 2.497 | 4.902 |

| 700 | | | |
|-------|-------|-------|-------|
| 11 | 21 | 22 | 33 |
| | | | 782 |
| | | | 531 |
| | | | 1.055 |
| 390 | 517 | 686 | 977 |
| 270 | 354 | 468 | 664 |
| 519 | 694 | 924 | 1.319 |
| 468 | 620 | 824 | 1.172 |
| 324 | 424 | 562 | 796 |
| 623 | 832 | 1.109 | 1.582 |
| 547 | 723 | 961 | 1.368 |
| 378 | 495 | 655 | 929 |
| 727 | 971 | 1.294 | 1.846 |
| 624 | 827 | 1.098 | 1.563 |
| 432 | 566 | 749 | 1.062 |
| 830 | 1.110 | 1.478 | 2.110 |
| 702 | 930 | 1.235 | 1.758 |
| 486 | 636 | 842 | 1.195 |
| 934 | 1.248 | 1.663 | 2.373 |
| 780 | 1.033 | 1.373 | 1.954 |
| 540 | 707 | 936 | 1.328 |
| 1.038 | 1.387 | 1.848 | 2.637 |
| | | 1.510 | 2.150 |
| | | 1.030 | 1.461 |
| | | 2.033 | 2.901 |
| | | 1.648 | 2.344 |
| | | 1.123 | 1.593 |
| | | 2.218 | 3.164 |
| | | 1.922 | 2.736 |
| | | 1.310 | 1.859 |
| | | 2.587 | 3.692 |
| | | 2.197 | 3.126 |
| | | 1.498 | 2.124 |
| | | 2.957 | 4.219 |
| | | | 3.517 |
| | | | 2.390 |
| | | | 4.747 |
| | | 2.746 | 3.908 |
| | | 1.872 | 2.655 |
| | | 3.696 | 5.274 |

| 900 | | | |
|-------|-------|-------|-------|
| 11 | 21 | 22 | 33 |
| 378 | 504 | 665 | 956 |
| 261 | 345 | 451 | 649 |
| 504 | 676 | 900 | 1.290 |
| 472 | 630 | 832 | 1.194 |
| 326 | 432 | 564 | 811 |
| 630 | 845 | 1.126 | 1.613 |
| 567 | 756 | 999 | 1.433 |
| 391 | 518 | 676 | 973 |
| 756 | 1.014 | 1.351 | 1.935 |
| 661 | 882 | 1.165 | 1.673 |
| 456 | 605 | 789 | 1.136 |
| 882 | 1.183 | 1.576 | 2.258 |
| 756 | 1.008 | 1.331 | 1.911 |
| 521 | 691 | 902 | 1.298 |
| 1.008 | 1.352 | 1.801 | 2.580 |
| 850 | 1.134 | 1.498 | 2.150 |
| 586 | 777 | 1.014 | 1.460 |
| 1.134 | 1.521 | 2.026 | 2.903 |
| 945 | 1.260 | 1.664 | 2.389 |
| 651 | 864 | 1.127 | 1.622 |
| 1.260 | 1.690 | 2.251 | 3.225 |
| 1.039 | 1.386 | 1.830 | 2.628 |
| 717 | 950 | 1.240 | 1.785 |
| 1.386 | 1.859 | 2.476 | 3.548 |
| 1.133 | 1.513 | 1.997 | 2.867 |
| 782 | 1.036 | 1.352 | 1.947 |
| 1.512 | 2.028 | 2.701 | 3.870 |
| 1.322 | 1.765 | 2.329 | 3.344 |
| 912 | 1.209 | 1.578 | 2.271 |
| 1.764 | 2.366 | 3.151 | 4.515 |
| 1.511 | 2.017 | 2.662 | 3.822 |
| 1.042 | 1.382 | 1.803 | 2.596 |
| 2.016 | 2.704 | 3.602 | 5.160 |
| 1.700 | 2.269 | 2.995 | 4.300 |
| 1.173 | 1.554 | 2.029 | 2.920 |
| 2.268 | 3.042 | 4.052 | 5.805 |

General information

COMPACT PLANAR

The Compact Planar radiator with its close-fitting side panels and upper grille gives your home a neat and contemporary finish. In addition, it is equipped with a lovely flat front panel. With the Stelrad Compact radiator as a base, the Compact Planar's flat front adds a touch of beauty to any interior:

| | |
|-----------------------------|--|
| Product: | decorative encased panel radiator with a flat front plate |
| Finishing: | decorative flat front with upper grille and side panels |
| Also supplied: | VDI brackets with anti-lift (type Monclac), screws, plugs, air vent, blind plug and installation instructions |
| Connections: | 4 x ½" female connection |
| Lugs: | 2 pairs of mounting lugs up to 1.600 mm and 3 pairs from 1.800 mm |
| Packaging: | Every radiator is sturdily packaged in high-quality cardboard and wrapped in plastic. The radiator's characteristics are shown on the label: type – height – length. |
| Warranty: | 10 years, as long as the installation instructions have been followed and Stelrad's warranty conditions have been met. |
| Paint process: | All radiators are degreased, phosphated, cathodically primed and powder-coated in Stelrad white 9016 as standard. |
| Colours: | Stelrad white 9016 + 35 different Stelrad colours and about 200 RAL-colours are possible |
| Max. operating pressure: | 10 bar (tested to 13 bar) |
| Max. operating temperature: | 110 °C |
| Conformity: | in accordance with EN442 |
| Quality assurance: | NF |
| Types: | 11 21 22 33 |
| Heights: | 300 400 500 600 700 900 mm |
| Lengths: | 400 – 2.000 mm |
| Depths: | 63 79 102 160 mm |



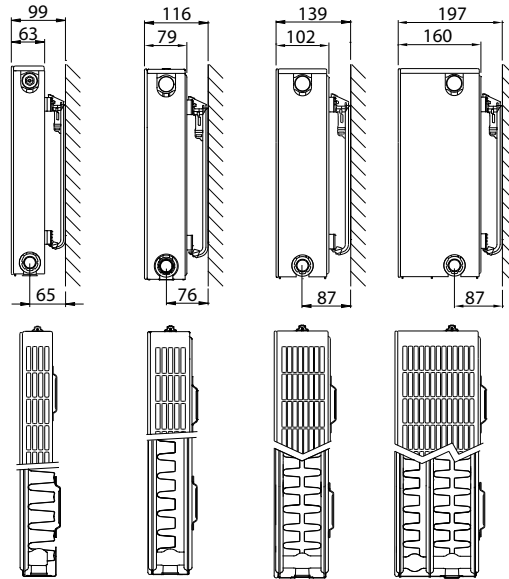
2006

Type overview

Calculation factor
per meter
at 75/65/20°C
according to EN442

Characteristic equation:

$$\Phi = K_M \times \Delta T^n$$



| Height | | Type 11 | Type 21 | Type 22 | Type 33 | Centre distance |
|--------|----------------|---------|---------|---------|---------|-----------------|
| 300 | W | 469 | | 929 | 1.346 | 250 |
| | kg | 11,88 | | 19,60 | 28,00 | |
| | l | 1,89 | | 3,70 | 5,40 | |
| | m ² | 2,09 | | 3,51 | 5,26 | |
| | n | 1,30 | | 1,30 | 1,31 | |
| 400 | W | 626 | 889 | 1.177 | 1.690 | 350 |
| | kg | 16,13 | 22,87 | 26,40 | 38,13 | |
| | l | 2,34 | 4,67 | 4,67 | 6,87 | |
| | m ² | 2,95 | 3,37 | 4,92 | 7,38 | |
| | n | 1,29 | 1,32 | 1,30 | 1,32 | |
| 500 | W | 774 | 1.062 | 1.411 | 2.017 | 450 |
| | kg | 20,39 | 28,89 | 33,20 | 48,27 | |
| | l | 2,80 | 5,63 | 5,63 | 8,33 | |
| | m ² | 3,80 | 4,31 | 6,33 | 9,49 | |
| | n | 1,28 | 1,32 | 1,31 | 1,33 | |
| 600 | W | 911 | 1.227 | 1.634 | 2.332 | 550 |
| | kg | 24,65 | 34,90 | 40,00 | 58,40 | |
| | l | 3,25 | 6,60 | 6,60 | 9,80 | |
| | m ² | 4,66 | 5,24 | 7,74 | 11,61 | |
| | n | 1,27 | 1,32 | 1,32 | 1,34 | |
| 700 | W | 1.038 | 1.387 | 1.848 | 2.637 | 650 |
| | kg | 28,91 | 40,91 | 46,80 | 68,53 | |
| | l | 3,77 | 7,63 | 7,63 | 11,37 | |
| | m ² | 5,51 | 6,18 | 9,15 | 13,72 | |
| | n | 1,28 | 1,32 | 1,33 | 1,34 | |
| 900 | W | 1.260 | 1.690 | 2.251 | 3.225 | 850 |
| | kg | 37,43 | 52,94 | 60,40 | 88,80 | |
| | l | 4,80 | 9,70 | 9,70 | 14,50 | |
| | m ² | 7,22 | 8,05 | 11,97 | 17,96 | |
| | n | 1,29 | 1,31 | 1,35 | 1,34 | |

W=heat output per meter / kg=weight per meter / l=content per meter / m²=surface per meter / n=exponent
The manufacturer reserves the right to alter any of the specifications shown in this document without prior notice.

COMPACT PLANAR

Heat outputs according to EN442



EN442 (W) 70/50/20°C

EN442 (W) 55/45/20°C

EN442 (W) 75/65/20°C

Stelrad BV/PL24/0020/EC007

| Height | 300 | | |
|-------------|-----|-------|-------|
| | 11 | 22 | 33 |
| 400 | 141 | 279 | 401 |
| | 97 | 192 | 275 |
| | 188 | 372 | 538 |
| 500 | 175 | 347 | 502 |
| | 120 | 239 | 344 |
| | 235 | 465 | 673 |
| 600 | 210 | 417 | 603 |
| | 145 | 287 | 413 |
| | 281 | 557 | 808 |
| 700 | 245 | 487 | 703 |
| | 169 | 335 | 482 |
| | 328 | 650 | 942 |
| 800 | 280 | 556 | 804 |
| | 193 | 383 | 551 |
| | 375 | 743 | 1.077 |
| 900 | 316 | 626 | 904 |
| | 217 | 431 | 619 |
| | 422 | 836 | 1.211 |
| 1000 | 351 | 696 | 1.004 |
| | 241 | 479 | 689 |
| | 469 | 929 | 1.346 |
| 1100 | 386 | 765 | 1.105 |
| | 265 | 527 | 758 |
| | 516 | 1.022 | 1.481 |
| 1200 | 421 | 835 | 1.205 |
| | 290 | 575 | 826 |
| | 563 | 1.115 | 1.615 |
| 1400 | 491 | 974 | 1.406 |
| | 338 | 671 | 964 |
| | 657 | 1.301 | 1.884 |
| 1600 | | 1.113 | 1.607 |
| | | 767 | 1.102 |
| | | 1.486 | 2.154 |
| 1800 | | 1.252 | 1.808 |
| | | 863 | 1.239 |
| | | 1.672 | 2.423 |
| 2000 | | 1.391 | 2.009 |
| | | 958 | 1.377 |
| | | 1.858 | 2.692 |

| 400 | | | |
|-------|-------|-------|-------|
| 11 | 21 | 22 | 33 |
| 187 | 265 | 352 | 503 |
| 129 | 182 | 242 | 344 |
| 250 | 356 | 471 | 676 |
| 235 | 331 | 440 | 629 |
| 162 | 226 | 302 | 430 |
| 313 | 445 | 589 | 845 |
| 282 | 397 | 528 | 755 |
| 194 | 272 | 363 | 516 |
| 376 | 533 | 706 | 1.014 |
| 328 | 463 | 616 | 881 |
| 226 | 317 | 423 | 602 |
| 438 | 622 | 824 | 1.183 |
| 376 | 530 | 704 | 1.007 |
| 259 | 363 | 484 | 688 |
| 501 | 711 | 942 | 1.352 |
| 422 | 596 | 792 | 1.132 |
| 291 | 408 | 544 | 774 |
| 563 | 800 | 1.059 | 1.521 |
| 469 | 662 | 880 | 1.258 |
| 324 | 453 | 605 | 860 |
| 626 | 889 | 1.177 | 1.690 |
| 516 | 729 | 968 | 1.384 |
| 356 | 499 | 665 | 946 |
| 689 | 978 | 1.295 | 1.859 |
| 563 | 795 | 1.055 | 1.510 |
| 388 | 544 | 725 | 1.032 |
| 751 | 1.067 | 1.412 | 2.028 |
| 657 | 928 | 1.232 | 1.761 |
| 453 | 635 | 847 | 1.204 |
| 876 | 1.245 | 1.648 | 2.366 |
| 751 | 1.060 | 1.408 | 2.013 |
| 518 | 725 | 967 | 1.376 |
| 1.002 | 1.422 | 1.883 | 2.704 |
| 845 | 1.192 | 1.584 | 2.265 |
| 583 | 816 | 1.088 | 1.548 |
| 1.127 | 1.600 | 2.119 | 3.042 |
| 939 | 1.325 | 1.760 | 2.516 |
| 647 | 907 | 1.209 | 1.720 |
| 1.252 | 1.778 | 2.354 | 3.380 |

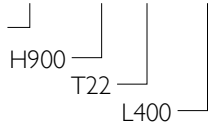
| 500 | | | |
|-------|-------|-------|-------|
| 11 | 21 | 22 | 33 |
| 233 | 317 | 421 | 599 |
| 161 | 216 | 289 | 409 |
| 310 | 425 | 564 | 807 |
| 291 | 395 | 527 | 749 |
| 201 | 270 | 361 | 510 |
| 387 | 531 | 706 | 1.009 |
| 349 | 474 | 632 | 899 |
| 241 | 324 | 433 | 613 |
| 464 | 637 | 847 | 1.210 |
| 407 | 553 | 737 | 1.049 |
| 282 | 378 | 505 | 715 |
| 542 | 743 | 988 | 1.412 |
| 465 | 633 | 842 | 1.199 |
| 322 | 433 | 578 | 817 |
| 619 | 850 | 1.129 | 1.614 |
| 524 | 712 | 948 | 1.348 |
| 362 | 487 | 650 | 919 |
| 697 | 956 | 1.270 | 1.815 |
| 582 | 791 | 1.053 | 1.498 |
| 402 | 541 | 722 | 1.021 |
| 774 | 1.062 | 1.411 | 2.017 |
| 639 | 870 | 1.158 | 1.648 |
| 442 | 595 | 794 | 1.123 |
| 851 | 1.168 | 1.552 | 2.219 |
| 698 | 949 | 1.263 | 1.798 |
| 483 | 649 | 866 | 1.225 |
| 929 | 1.274 | 1.693 | 2.420 |
| 814 | 1.107 | 1.474 | 2.098 |
| 563 | 757 | 1.010 | 1.430 |
| 1.084 | 1.487 | 1.975 | 2.824 |
| 930 | 1.265 | 1.685 | 2.397 |
| 643 | 865 | 1.155 | 1.634 |
| 1.238 | 1.699 | 2.258 | 3.227 |
| 1.047 | 1.424 | 1.895 | 2.697 |
| 724 | 974 | 1.299 | 1.838 |
| 1.393 | 1.912 | 2.540 | 3.631 |
| 1.163 | 1.582 | 2.106 | 2.996 |
| 804 | 1.082 | 1.444 | 2.042 |
| 1.548 | 2.124 | 2.822 | 4.034 |

Core assortment (Stelrad white 9016) available ex factory within 10 days.
 Core assortment is subject to change, please refer to www.stelrad.eu for the latest information.
 Delivery time depends on the model, please refer to your distributor.

COMPACT PLANAR

On the label:
 COMPACT PLAN T11-33: 0216

Art. 0216 09 22 04



| Height | 600 | | | |
|--------|-------|-------|-------|-------|
| Type | 11 | 21 | 22 | 33 |
| 400 | 274 | 365 | 487 | 691 |
| | 190 | 250 | 333 | 470 |
| | 364 | 491 | 654 | 933 |
| 500 | 343 | 457 | 608 | 864 |
| | 238 | 312 | 416 | 587 |
| | 456 | 614 | 817 | 1.166 |
| 600 | 412 | 548 | 730 | 1.037 |
| | 286 | 374 | 499 | 705 |
| | 547 | 736 | 980 | 1.399 |
| 700 | 480 | 639 | 852 | 1.209 |
| | 333 | 437 | 583 | 822 |
| | 638 | 859 | 1.144 | 1.632 |
| 800 | 549 | 731 | 973 | 1.383 |
| | 381 | 500 | 666 | 940 |
| | 729 | 982 | 1.307 | 1.866 |
| 900 | 617 | 822 | 1.096 | 1.556 |
| | 428 | 562 | 749 | 1.057 |
| | 820 | 1.104 | 1.471 | 2.099 |
| 1000 | 686 | 913 | 1.217 | 1.728 |
| | 476 | 624 | 832 | 1.174 |
| | 911 | 1.227 | 1.634 | 2.332 |
| 1100 | 754 | 1.005 | 1.338 | 1.901 |
| | 523 | 687 | 915 | 1.292 |
| | 1.002 | 1.350 | 1.797 | 2.565 |
| 1200 | 823 | 1.096 | 1.460 | 2.074 |
| | 571 | 749 | 999 | 1.409 |
| | 1.093 | 1.472 | 1.961 | 2.798 |
| 1400 | 960 | 1.279 | 1.704 | 2.420 |
| | 666 | 874 | 1.165 | 1.644 |
| | 1.275 | 1.718 | 2.288 | 3.265 |
| 1600 | 1.098 | 1.461 | 1.947 | 2.765 |
| | 761 | 999 | 1.331 | 1.879 |
| | 1.458 | 1.963 | 2.614 | 3.731 |
| 1800 | 1.235 | 1.644 | 2.190 | 3.111 |
| | 857 | 1.124 | 1.498 | 2.114 |
| | 1.640 | 2.209 | 2.941 | 4.198 |
| 2000 | 1.372 | 1.827 | 2.434 | 3.457 |
| | 952 | 1.249 | 1.665 | 2.349 |
| | 1.822 | 2.454 | 3.268 | 4.664 |

| 700 | | | |
|-------|-------|-------|-------|
| 11 | 21 | 22 | 33 |
| 312 | 413 | 549 | 782 |
| 216 | 283 | 374 | 531 |
| 415 | 555 | 739 | 1.055 |
| 390 | 517 | 686 | 977 |
| 270 | 354 | 468 | 664 |
| 519 | 694 | 924 | 1.319 |
| 468 | 620 | 824 | 1.172 |
| 324 | 424 | 562 | 796 |
| 623 | 832 | 1.109 | 1.582 |
| 547 | 723 | 961 | 1.368 |
| 378 | 495 | 655 | 929 |
| 727 | 971 | 1.294 | 1.846 |
| 624 | 827 | 1.098 | 1.563 |
| 432 | 566 | 749 | 1.062 |
| 830 | 1.110 | 1.478 | 2.110 |
| 702 | 930 | 1.235 | 1.758 |
| 486 | 636 | 842 | 1.195 |
| 934 | 1.248 | 1.663 | 2.373 |
| 780 | 1.033 | 1.373 | 1.954 |
| 540 | 707 | 936 | 1.328 |
| 1.038 | 1.387 | 1.848 | 2.637 |
| 859 | 1.137 | 1.510 | 2.150 |
| 594 | 778 | 1.030 | 1.461 |
| 1.142 | 1.526 | 2.033 | 2.901 |
| 937 | 1.239 | 1.648 | 2.344 |
| 649 | 848 | 1.123 | 1.593 |
| 1.246 | 1.664 | 2.218 | 3.164 |
| 1.092 | 1.447 | 1.922 | 2.736 |
| 756 | 989 | 1.310 | 1.859 |
| 1.453 | 1.942 | 2.587 | 3.692 |
| 1.249 | 1.653 | 2.197 | 3.126 |
| 865 | 1.131 | 1.498 | 2.124 |
| 1.661 | 2.219 | 2.957 | 4.219 |
| 1.404 | 1.860 | 2.471 | 3.517 |
| 972 | 1.272 | 1.684 | 2.390 |
| 1.868 | 2.497 | 3.326 | 4.747 |
| 1.561 | 2.066 | 2.746 | 3.908 |
| 1.081 | 1.413 | 1.872 | 2.655 |
| 2.076 | 2.774 | 3.696 | 5.274 |

| 900 | | | |
|-------|-------|-------|-------|
| 11 | 21 | 22 | 33 |
| 378 | 504 | 665 | 956 |
| 261 | 345 | 451 | 649 |
| 504 | 676 | 900 | 1.290 |
| 472 | 630 | 832 | 1.194 |
| 326 | 432 | 564 | 811 |
| 630 | 845 | 1.126 | 1.613 |
| 567 | 756 | 999 | 1.433 |
| 391 | 518 | 676 | 973 |
| 756 | 1.014 | 1.351 | 1.935 |
| 661 | 882 | 1.165 | 1.673 |
| 456 | 605 | 789 | 1.136 |
| 882 | 1.183 | 1.576 | 2.258 |
| 756 | 1.008 | 1.331 | 1.911 |
| 521 | 691 | 902 | 1.298 |
| 1.008 | 1.352 | 1.801 | 2.580 |
| 850 | 1.134 | 1.498 | 2.150 |
| 586 | 777 | 1.014 | 1.460 |
| 1.134 | 1.521 | 2.026 | 2.903 |
| 945 | 1.260 | 1.664 | 2.389 |
| 651 | 864 | 1.127 | 1.622 |
| 1.260 | 1.690 | 2.251 | 3.225 |
| 1.039 | 1.386 | 1.830 | 2.628 |
| 717 | 950 | 1.240 | 1.785 |
| 1.386 | 1.859 | 2.476 | 3.548 |
| 1.133 | 1.513 | 1.997 | 2.867 |
| 782 | 1.036 | 1.352 | 1.947 |
| 1.512 | 2.028 | 2.701 | 3.870 |
| 1.322 | 1.765 | 2.329 | 3.344 |
| 912 | 1.209 | 1.578 | 2.271 |
| 1.764 | 2.366 | 3.151 | 4.515 |
| 1.511 | 2.017 | 2.662 | 3.822 |
| 1.042 | 1.382 | 1.803 | 2.596 |
| 2.016 | 2.704 | 3.602 | 5.160 |
| 1.700 | 2.269 | 2.995 | 4.300 |
| 1.173 | 1.554 | 2.029 | 2.920 |
| 2.268 | 3.042 | 4.052 | 5.805 |
| 1.889 | 2.521 | 3.328 | 4.778 |
| 1.303 | 1.727 | 2.254 | 3.245 |
| 2.520 | 3.380 | 4.502 | 6.450 |

General information

COMPACT STYLE

The decorative Compact Style radiator features horizontal lines creating an atmosphere of space and sophistication. A compact radiator that has a stylish front panel, with close-fitting side panels and decorative upper grille giving your home a neat and distinctive appearance.

| | |
|-----------------------------|--|
| Product: | decorative encased panel radiator with a stylish front plate |
| Finishing: | decorative stylish front with upper grille and side panels |
| Also supplied: | VDI brackets with anti-lift (type Monclac), screws, plugs, air vent, blind plug and installation instructions |
| Connections: | 4 x ½" female connection |
| Lugs: | 2 pairs of mounting lugs up to 1.600 mm and 3 pairs from 1.800 mm |
| Packaging: | Every radiator is sturdily packaged in high-quality cardboard and wrapped in plastic. The radiator's characteristics are shown on the label: type – height – length. |
| Warranty: | 10 years, as long as the installation instructions have been followed and Stelrad's warranty conditions have been met. |
| Paint process: | All radiators are degreased, phosphated, cathodically primed and powder-coated in Stelrad white 9016 as standard. |
| Colours: | Stelrad white 9016 + 35 different Stelrad colours and about 200 RAL-colours are possible |
| Max. operating pressure: | 10 bar (tested to 13 bar) |
| Max. operating temperature: | 110 °C |
| Conformity: | in accordance with EN442 |
| Quality assurance: | NF |
| Types: | 11 21 22 33 |
| Heights: | 300 400 500 600 700 900 mm |
| Lengths: | 400 – 2.000 mm |
| Depths: | 63 79 102 160 mm |



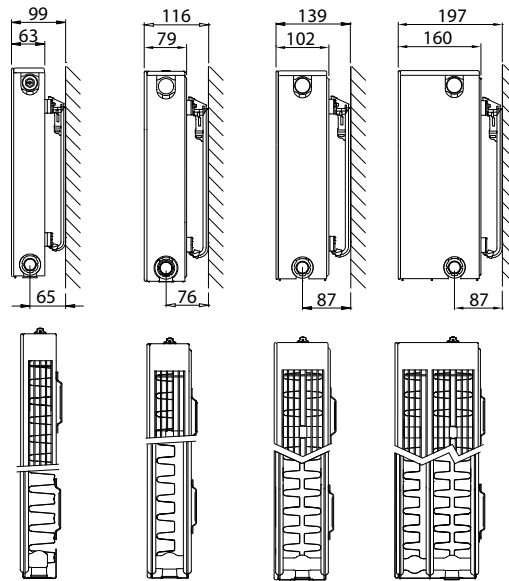
2014

Type overview

Calculation factor
per meter
at 75/65/20°C
according to EN442

Characteristic equation:

$$\Phi = K_M \times \Delta T^n$$



| Height | | Type 11 | Type 21 | Type 22 | Type 33 | Centre distance |
|--------|----------------|---------|---------|---------|---------|-----------------|
| 300 | W | | | 898 | 1.287 | 250 |
| | kg | | | 19,30 | 27,60 | |
| | l | | | 3,10 | 5,40 | |
| | m ² | | | 3,51 | 5,26 | |
| | n | | | 1,30 | 1,30 | |
| 400 | W | 614 | 870 | 1.153 | 1.649 | 350 |
| | kg | 16,20 | 22,60 | 25,67 | 36,63 | |
| | l | 2,30 | 4,15 | 4,13 | 6,63 | |
| | m ² | 2,95 | 3,37 | 4,92 | 7,38 | |
| | n | 1,27 | 1,30 | 1,30 | 1,31 | |
| 500 | W | 746 | 1.038 | 1.388 | 1.979 | 450 |
| | kg | 20,23 | 28,00 | 32,03 | 45,67 | |
| | l | 2,77 | 5,20 | 5,17 | 7,87 | |
| | m ² | 3,80 | 4,31 | 6,33 | 9,49 | |
| | n | 1,28 | 1,30 | 1,31 | 1,32 | |
| 600 | W | 870 | 1.196 | 1.601 | 2.280 | 550 |
| | kg | 24,27 | 33,60 | 38,40 | 54,70 | |
| | l | 3,23 | 6,25 | 6,20 | 9,10 | |
| | m ² | 4,66 | 5,24 | 7,74 | 11,61 | |
| | n | 1,28 | 1,31 | 1,31 | 1,32 | |
| 700 | W | 987 | 1.350 | 1.796 | 2.553 | 650 |
| | kg | 28,30 | 39,20 | 44,70 | 63,60 | |
| | l | 3,70 | 7,30 | 7,03 | 10,63 | |
| | m ² | 5,51 | 6,18 | 9,15 | 13,72 | |
| | n | 1,28 | 1,31 | 1,32 | 1,33 | |
| 900 | W | 1.200 | 1.649 | 2.132 | 3.022 | 850 |
| | kg | 35,90 | 50,60 | 57,30 | 81,40 | |
| | l | 4,50 | 9,00 | 8,70 | 13,70 | |
| | m ² | 7,22 | 8,05 | 11,97 | 17,96 | |
| | n | 1,28 | 1,32 | 1,32 | 1,33 | |

W=heat output per meter / kg=weight per meter / l=content per meter / m²=surface per meter / n=exponent
The manufacturer reserves the right to alter any of the specifications shown in this document without prior notice.

COMPACT STYLE

Heat outputs according to EN442



EN442 (W) 70/50/20°C

EN442 (W) 55/45/20°C

EN442 (W) 75/65/20°C

Stelrad BV/PL24/0020/EC007

| Height | 300 | |
|-------------|-----------------------|-------------------------|
| | 22 | 33 |
| 400 | | |
| 500 | 336 231 449 | 482 331 644 |
| 600 | | |
| 700 | | |
| 800 | 537 370 718 | 770 530 1.030 |
| 900 | 605 416 808 | 866 596 1.158 |
| 1000 | 672 463 898 | 963 662 1.287 |
| 1200 | 807 555 1.078 | 1.155 794 1.544 |
| 1400 | 941 648 1.257 | 1.348 927 1.802 |
| 1600 | 1.076 740 1.437 | 1.540 1.059 2.059 |
| 1800 | 1.210 833 1.616 | 1.733 1.192 2.317 |
| 2000 | 1.344 925 1.796 | 1.925 1.324 2.574 |

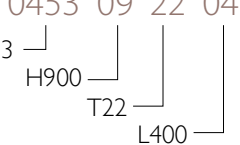
| 400 | | | |
|---------------------|-----------------------|-------------------------|-------------------------|
| 11 | 21 | 22 | 33 |
| | | | |
| 231 160 307 | 326 224 435 | 431 296 577 | 615 422 825 |
| 277 192 368 | 391 269 522 | 517 356 692 | 739 507 989 |
| 324 224 430 | 456 314 609 | 603 415 807 | 862 592 1.154 |
| 370 256 491 | 521 359 696 | 689 474 922 | 985 676 1.319 |
| 416 289 553 | 586 404 783 | 776 533 1.038 | 1.108 761 1.484 |
| 462 320 614 | 652 449 870 | 862 593 1.153 | 1.231 845 1.649 |
| 555 385 737 | 782 539 1.044 | 1.035 711 1.384 | 1.478 1.014 1.979 |
| 647 449 860 | 912 628 1.218 | 1.207 829 1.614 | 1.724 1.184 2.309 |
| 739 512 982 | 1.043 718 1.392 | 1.379 948 1.845 | 1.970 1.352 2.638 |
| 832 577 1.105 | 1.173 808 1.566 | 1.551 1.066 2.075 | 2.217 1.521 2.968 |
| 924 641 1.228 | 1.303 898 1.740 | 1.724 1.185 2.306 | 2.463 1.690 3.298 |

| 500 | | | |
|-----------------------|-------------------------|-------------------------|-------------------------|
| 11 | 21 | 22 | 33 |
| 224 155 298 | 310 213 415 | 414 284 555 | 591 405 792 |
| 281 194 373 | 388 267 519 | 518 356 694 | 738 506 990 |
| 337 234 448 | 466 320 623 | 622 427 833 | 885 606 1.187 |
| 393 272 522 | 544 374 727 | 726 498 972 | 1.033 707 1.385 |
| 449 311 597 | 621 427 830 | 829 569 1.110 | 1.180 809 1.583 |
| 505 350 671 | 698 480 934 | 933 640 1.249 | 1.328 910 1.781 |
| 561 389 746 | 776 534 1.038 | 1.036 711 1.388 | 1.476 1.011 1.979 |
| 673 467 895 | 932 641 1.246 | 1.244 854 1.666 | 1.771 1.213 2.375 |
| 785 544 1.044 | 1.087 747 1.453 | 1.451 996 1.943 | 2.066 1.415 2.771 |
| 898 622 1.194 | 1.242 854 1.661 | 1.658 1.138 2.221 | 2.361 1.617 3.166 |
| 1.010 700 1.343 | 1.397 960 1.868 | 1.865 1.280 2.498 | 2.656 1.819 3.562 |
| 1.123 778 1.492 | 1.552 1.067 2.076 | 2.073 1.423 2.776 | 2.951 2.022 3.958 |

Core assortment (Stelrad white 9016) available ex factory within 10 days.
Core assortment is subject to change, please refer to www.stelrad.eu for the latest information.
Delivery time depends on the model, please refer to your distributor.

COMPACT STYLE

On the label:
COMPACT DECO T11-33: 0453



Art. 0453 09 22 04

| Height | 600 | | | |
|-------------|-------|-------|-------|-------|
| Type | 11 | 21 | 22 | 33 |
| 400 | 262 | 357 | 477 | 679 |
| | 181 | 245 | 327 | 464 |
| | 348 | 478 | 640 | 912 |
| 500 | 327 | 447 | 597 | 849 |
| | 227 | 307 | 409 | 580 |
| | 435 | 598 | 801 | 1.140 |
| 600 | 393 | 536 | 717 | 1.018 |
| | 272 | 368 | 491 | 696 |
| | 522 | 718 | 961 | 1.368 |
| 700 | 458 | 625 | 836 | 1.188 |
| | 317 | 430 | 573 | 812 |
| | 609 | 837 | 1.121 | 1.596 |
| 800 | 523 | 715 | 955 | 1.358 |
| | 363 | 491 | 655 | 928 |
| | 696 | 957 | 1.281 | 1.824 |
| 900 | 589 | 804 | 1.075 | 1.528 |
| | 408 | 552 | 736 | 1.044 |
| | 783 | 1.076 | 1.441 | 2.052 |
| 1000 | 654 | 894 | 1.194 | 1.697 |
| | 453 | 614 | 818 | 1.160 |
| | 870 | 1.196 | 1.601 | 2.280 |
| 1200 | 785 | 1.072 | 1.433 | 2.037 |
| | 544 | 736 | 982 | 1.392 |
| | 1.044 | 1.435 | 1.921 | 2.736 |
| 1400 | 916 | 1.251 | 1.671 | 2.376 |
| | 634 | 859 | 1.145 | 1.625 |
| | 1.218 | 1.674 | 2.241 | 3.192 |
| 1600 | 1.047 | 1.430 | 1.911 | 2.716 |
| | 725 | 982 | 1.309 | 1.857 |
| | 1.392 | 1.914 | 2.562 | 3.648 |
| 1800 | 1.178 | 1.609 | 2.149 | 3.055 |
| | 816 | 1.105 | 1.473 | 2.089 |
| | 1.566 | 2.153 | 2.882 | 4.104 |
| 2000 | 1.309 | 1.787 | 2.388 | 3.395 |
| | 906 | 1.227 | 1.636 | 2.321 |
| | 1.740 | 2.392 | 3.202 | 4.560 |

| 700 | | | |
|-------|-------|-------|-------|
| 11 | 21 | 22 | 33 |
| 297 | 403 | 535 | 760 |
| 206 | 277 | 366 | 519 |
| 395 | 540 | 718 | 1.021 |
| 371 | 504 | 669 | 949 |
| 257 | 346 | 458 | 648 |
| 494 | 675 | 898 | 1.277 |
| 445 | 605 | 803 | 1.140 |
| 308 | 415 | 550 | 778 |
| 592 | 810 | 1.078 | 1.532 |
| 519 | 705 | 937 | 1.329 |
| 360 | 484 | 641 | 908 |
| 691 | 945 | 1.257 | 1.787 |
| 594 | 806 | 1.071 | 1.519 |
| 411 | 553 | 733 | 1.037 |
| 790 | 1.080 | 1.437 | 2.042 |
| 668 | 907 | 1.204 | 1.710 |
| 462 | 622 | 824 | 1.167 |
| 888 | 1.215 | 1.616 | 2.298 |
| 742 | 1.008 | 1.338 | 1.899 |
| 514 | 691 | 916 | 1.297 |
| 987 | 1.350 | 1.796 | 2.553 |
| 890 | 1.209 | 1.606 | 2.279 |
| 616 | 830 | 1.099 | 1.557 |
| 1.184 | 1.620 | 2.155 | 3.064 |
| 1.039 | 1.411 | 1.874 | 2.659 |
| 719 | 968 | 1.282 | 1.816 |
| 1.382 | 1.890 | 2.514 | 3.574 |
| 1.187 | 1.613 | 2.142 | 3.039 |
| 822 | 1.106 | 1.466 | 2.075 |
| 1.579 | 2.160 | 2.874 | 4.085 |
| 1.336 | 1.814 | 2.409 | 3.418 |
| 925 | 1.245 | 1.649 | 2.334 |
| 1.777 | 2.430 | 3.233 | 4.595 |
| 1.484 | 2.016 | 2.677 | 3.798 |
| 1.027 | 1.383 | 1.832 | 2.594 |
| 1.974 | 2.700 | 3.592 | 5.106 |

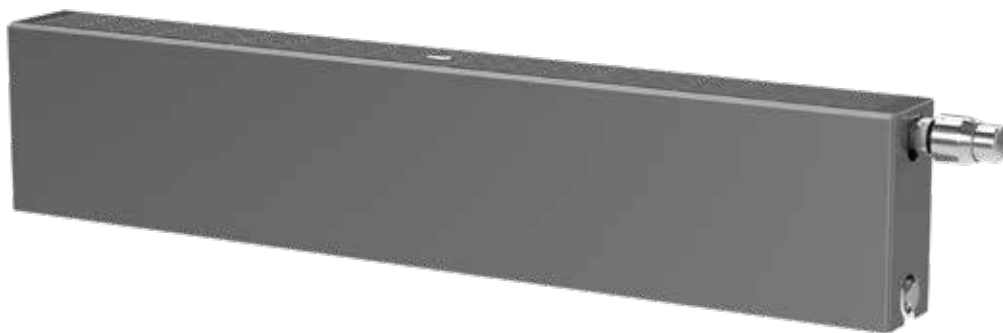
| 900 | | | |
|-------|-------|-------|-------|
| 11 | 21 | 22 | 33 |
| 361 | 492 | 635 | 898 |
| 250 | 337 | 434 | 612 |
| 480 | 660 | 853 | 1.209 |
| 451 | 614 | 793 | 1.122 |
| 312 | 421 | 542 | 765 |
| 600 | 825 | 1.066 | 1.511 |
| 541 | 737 | 952 | 1.347 |
| 375 | 505 | 650 | 918 |
| 720 | 989 | 1.279 | 1.813 |
| 632 | 860 | 1.110 | 1.571 |
| 437 | 589 | 759 | 1.071 |
| 840 | 1.154 | 1.492 | 2.115 |
| 722 | 983 | 1.270 | 1.796 |
| 500 | 673 | 867 | 1.224 |
| 960 | 1.319 | 1.706 | 2.418 |
| 812 | 1.106 | 1.428 | 2.020 |
| 562 | 758 | 976 | 1.377 |
| 1.080 | 1.484 | 1.919 | 2.720 |
| 902 | 1.229 | 1.587 | 2.245 |
| 625 | 842 | 1.084 | 1.530 |
| 1.200 | 1.649 | 2.132 | 3.022 |
| 1.083 | 1.475 | 1.904 | 2.693 |
| 750 | 1.011 | 1.300 | 1.836 |
| 1.440 | 1.979 | 2.558 | 3.626 |
| 1.263 | 1.722 | 2.221 | 3.143 |
| 875 | 1.179 | 1.518 | 2.142 |
| 1.680 | 2.309 | 2.985 | 4.231 |
| 1.444 | 1.967 | 2.538 | 3.591 |
| 1.000 | 1.347 | 1.734 | 2.448 |
| 1.920 | 2.638 | 3.411 | 4.835 |
| 1.624 | 2.213 | 2.856 | 4.041 |
| 1.125 | 1.515 | 1.951 | 2.754 |
| 2.160 | 2.968 | 3.838 | 5.440 |
| 1.805 | 2.459 | 3.173 | 4.489 |
| 1.250 | 1.684 | 2.168 | 3.060 |
| 2.400 | 3.298 | 4.264 | 6.044 |

General information

PLANAR PLINTH

The Planar Plinth is Stelrad's response to the growing demand for low-line decorative radiators. With a completely flat front, a decorative upper grille and side panels the Planar Plinth radiator achieves, despite its modest size, high heat outputs. Moreover this radiator can be connected either as a valve or as a compact radiator.

| | |
|-----------------------------|--|
| Product: | decorative valve radiator with a flat front and a height of 200 mm |
| Finishing: | decorative flat front, upper grille and side panels |
| Pre-installed: | preset Heimeier 4368 or 4369 valve insert |
| Valve insert: | The integrated adjustable valve insert (without thermostatic head) is factory-fit on the right side of the radiator; CEN certified, tested in accordance with EN215 and compatible with thermostatic heads M30 x 1,5 mm. The thermostatic valve insert is factory-set in relation to the size of the radiator. This presetting ensures optimum throughput in the radiator. Factory setting for two-pipe systems, also suitable for one-pipe systems (as long as the valve insert is adjusted to position 8). |
| Also supplied: | air vent and blind plugs |
| Connections: | 6 x 1/2" female connection (2 x 1/2" lateral bottom connection included). |
| Lugs: | no lugs |
| Packaging: | Every radiator is sturdily packaged in high-quality cardboard and wrapped in plastic. The radiator's characteristics are shown on the label: type – height – length. |
| Warranty: | 10 years, as long as the installation instructions have been followed and Stelrad's warranty conditions have been met. |
| Paint process: | All radiators are degreased, phosphated, primed and powder-coated in Stelrad white 9016 as standard. |
| Colours: | Stelrad white 9016 + 35 different Stelrad colours and about 200 RAL-colours are possible |
| Max. operating pressure: | 10 bar (tested to 13 bar) |
| Max. operating temperature: | 110 °C |
| Conformity: | in accordance with EN442 |
| Types: | 22 33 44 |
| Height: | 200 mm |
| Lengths: | 1.000 – 2.600 mm |
| Depths: | 102 160 218 mm |

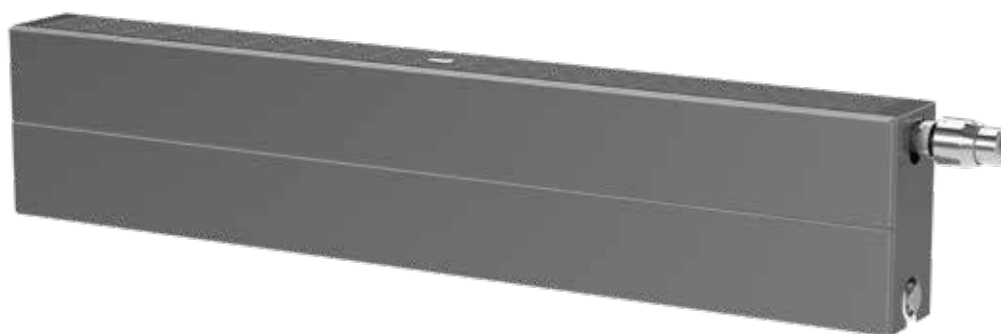


General information

PLANAR STYLE PLINTH

Are you having problems finding a suitable radiator for your large window sections? The Planar Style Plinth offers you the perfect solution. This plinth radiator is equipped with one stylised front, a decorative upper grille and side panels. In combination with the Compact Style, Planar Style or Vertex Style its horizontal play of lines ensures design consistency throughout your home. The radiator can be connected either as a valve or as a compact radiator:

| | |
|-----------------------------|--|
| Product: | decorative valve radiator with a stylish front and a height of 200 mm |
| Finishing: | decorative stylish front, upper grille and side panels |
| Pre-installed: | preset Heimeier 4368 or 4369 valve insert |
| Valve insert: | The integrated adjustable valve insert (without thermostatic head) is factory-fit on the right side of the radiator; CEN certified, tested in accordance with EN215 and compatible with thermostatic heads M30 x 1,5 mm. The thermostatic valve insert is factory-set in relation to the size of the radiator. This presetting ensures optimum throughput in the radiator. Factory setting for two-pipe systems, also suitable for one-pipe systems (as long as the valve insert is adjusted to position 8). |
| Also supplied: | air vent and blind plugs |
| Connections: | 6 x ½" female connection (2 x ½" lateral bottom connection included). |
| Lugs: | no lugs |
| Packaging: | Every radiator is sturdily packaged in high-quality cardboard and wrapped in plastic. The radiator's characteristics are shown on the label: type – height – length. |
| Warranty: | 10 years, as long as the installation instructions have been followed and Stelrad's warranty conditions have been met. |
| Paint process: | All radiators are degreased, phosphated, primed and powder-coated in Stelrad white 9016 as standard. |
| Colours: | Stelrad white 9016 + 35 different Stelrad colours and about 200 RAL-colours are possible |
| Max. operating pressure: | 10 bar (tested to 13 bar) |
| Max. operating temperature: | 110 °C |
| Conformity: | in accordance with EN442 |
| Types: | 22 33 44 |
| Height: | 200 mm |
| Lengths: | 1.000 – 2.600 mm |
| Depths: | 102 160 218 mm |



General information

PLANAR PLINTH D

Because large window sections are being increasingly used in modern architecture, the Planar Plinth D has a flat front and back panel. It's Stelrad's response to the growing demand for decorative plinth radiators.

Despite their modest size the Planar Plinth D radiators still achieve high heat outputs.

Moreover this radiator can be connected either as a valve or as a compact radiator:

| | |
|-----------------------------|--|
| Product: | decorative valve radiator with a flat front and rear and a height of 200 mm |
| Finishing: | decorative flat front and rear, upper grille and side panels |
| Pre-installed: | preset Heimeier 4368 or 4369 valve insert |
| Valve insert: | The integrated adjustable valve insert (without thermostatic head) is factory-fit on the right side of the radiator; CEN certified, tested in accordance with EN215 and compatible with thermostatic heads M30 x 1,5 mm. The thermostatic valve insert is factory-set in relation to the size of the radiator. This presetting ensures optimum throughput in the radiator. Factory setting for two-pipe systems, also suitable for one-pipe systems (as long as the valve insert is adjusted to position 8). |
| Also supplied: | air vent and blind plugs |
| Connections: | 6 x ½" female connection (2 x ½" lateral bottom connection included). |
| Lugs: | no lugs |
| Packaging: | Every radiator is sturdily packaged in high-quality cardboard and wrapped in plastic. The radiator's characteristics are shown on the label: type – height – length. |
| Warranty: | 10 years, as long as the installation instructions have been followed and Stelrad's warranty conditions have been met. |
| Paint process: | All radiators are degreased, phosphated, primed and powder-coated in Stelrad white 9016 as standard. |
| Colours: | Stelrad white 9016 + 35 different Stelrad colours and about 200 RAL-colours are possible |
| Max. operating pressure: | 10 bar (tested to 13 bar) |
| Max. operating temperature: | 110 °C |
| Conformity: | in accordance with EN442 |
| Types: | 22 33 44 |
| Height: | 200 mm |
| Lengths: | 1.000 – 2.600 mm |
| Depths: | 104 162 220 mm |



General information

PLANAR STYLE PLINTH D

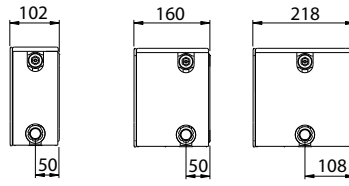
Low radiators are highly suitable for spaces with large floor-to-ceiling windows. The cold air from a window is immediately converted into pleasant warmth. With a stylised front and rear, a decorative upper grille and side panels the Planar Style Plinth D radiator ensures optimal warmth with a minimum of height and a great double finish! Moreover this radiator can be connected either as a valve or as a compact radiator.

| | |
|-----------------------------|--|
| Product: | decorative valve radiator with a stylish front and rear and a height of 200 mm |
| Finishing: | decorative stylish front and rear, upper grille and side panels |
| Pre-installed: | preset Heimeier 4368 or 4369 valve insert |
| Valve insert: | The integrated adjustable valve insert (without thermostatic head) is factory-fit on the right side of the radiator, CEN certified, tested in accordance with EN215 and compatible with thermostatic heads M30 x 1,5 mm. The thermostatic valve insert is factory-set in relation to the size of the radiator. This presetting ensures optimum throughput in the radiator. Factory setting for two-pipe systems, also suitable for one-pipe systems (as long as the valve insert is adjusted to position 8). |
| Also supplied: | air vent and blind plugs |
| Connections: | 6 x 1/2" female connection (2 x 1/2" lateral bottom connection included). |
| Lugs: | no lugs |
| Packaging: | Every radiator is sturdily packaged in high-quality cardboard and wrapped in plastic. The radiator's characteristics are shown on the label: type – height – length. |
| Warranty: | 10 years, as long as the installation instructions have been followed and Stelrad's warranty conditions have been met. |
| Paint process: | All radiators are degreased, phosphated, primed and powder-coated in Stelrad white 9016 as standard. |
| Colours: | Stelrad white 9016 + 35 different Stelrad colours and about 200 RAL-colours are possible |
| Max. operating pressure: | 10 bar (tested to 13 bar) |
| Max. operating temperature: | 110 °C |
| Conformity: | in accordance with EN442 |
| Types: | 22 33 44 |
| Height: | 200 mm |
| Lengths: | 1.000 – 2.600 mm |
| Depths: | 104 162 220 mm |



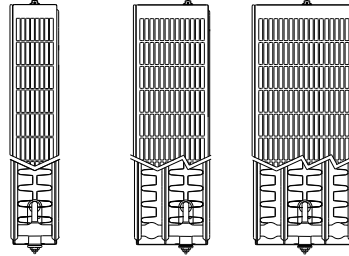
Type overview Planar Plinth and Planar Style Plinth

Calculation factor
per meter
at 75/65/20°C
according to EN442



Characteristic equation:

$$\Phi = K_M \times \Delta T^n$$

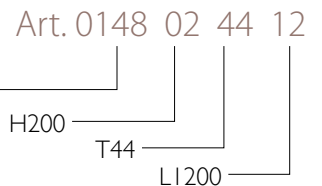


| Height | | Type 22 | Type 33 | Type 44 | Centre distance |
|--------|----|---------|---------|---------|-----------------|
| 200 | W | 611 | 918 | 1.197 | 150 |
| | kg | 12,30 | 17,60 | 23,00 | |
| | l | 2,80 | 4,20 | 5,60 | |
| | m² | 2,05 | 3,08 | 4,10 | |
| | n | 1,26 | 1,28 | 1,29 | |

W=heat output per meter / kg=weight per meter / l=content per meter / m²=surface per meter / n=exponent
The manufacturer reserves the right to alter any of the specifications shown in this document without prior notice.

Heat outputs according to EN442

On the label:
PLAN PLINTH T22-44: 0148
PLINTH DECO T22-44: 0251



- EN442 (W) 70/50/20°C**
- EN442 (W) 55/45/20°C**
- EN442 (W) 75/65/20°C**

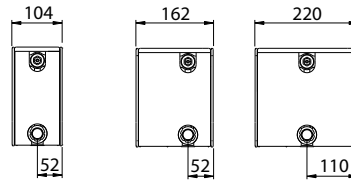
Stelrad BV/PL24/0020/E007

| Height | 200 | | | Height |
|-------------|-------|-------|-------|-------------|
| Type | 22 | 33 | 44 | Type |
| 1000 | 461 | 690 | 897 | 1000 |
| | 321 | 478 | 619 | |
| | 611 | 918 | 1.197 | |
| 1200 | 553 | 829 | 1.076 | 1200 |
| | 385 | 574 | 742 | |
| | 733 | 1.102 | 1.436 | |
| 1400 | 645 | 966 | 1.256 | 1400 |
| | 449 | 669 | 866 | |
| | 855 | 1.285 | 1.676 | |
| 1600 | 738 | 1.105 | 1.436 | 1600 |
| | 513 | 765 | 990 | |
| | 978 | 1.469 | 1.915 | |
| 1800 | 830 | 1.242 | 1.615 | 1800 |
| | 578 | 861 | 1.114 | |
| | 1.100 | 1.652 | 2.155 | |
| 2000 | 922 | 1.381 | 1.795 | 2000 |
| | 642 | 956 | 1.238 | |
| | 1.222 | 1.836 | 2.394 | |
| 2200 | 1.014 | 1.519 | 1.974 | 2200 |
| | 706 | 1.052 | 1.361 | |
| | 1.344 | 2.020 | 2.633 | |
| 2400 | 1.106 | 1.657 | 2.154 | 2400 |
| | 770 | 1.148 | 1.485 | |
| | 1.466 | 2.203 | 2.873 | |
| 2600 | 1.199 | 1.795 | 2.333 | 2600 |
| | 834 | 1.243 | 1.609 | |
| | 1.589 | 2.387 | 3.112 | |



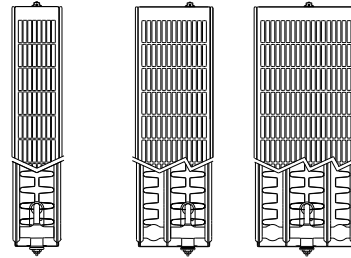
Type overview Planar Plinth D and Planar Style Plinth D

Calculation factor
per meter
at 75/65/20°C
according to EN442



Characteristic equation:

$$\Phi = K_M \times \Delta T^n$$

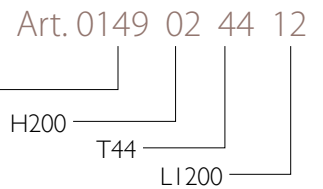


| Height | | Type 22 | Type 33 | Type 44 | Centre distance |
|--------|----|---------|---------|---------|-----------------|
| 200 | W | 576 | 906 | 1.181 | 150 |
| | kg | 13,50 | 19,30 | 24,60 | |
| | l | 2,80 | 4,20 | 5,60 | |
| | m² | 2,05 | 3,08 | 4,10 | |
| | n | 1,27 | 1,26 | 1,28 | |

W=heat output per meter / kg=weight per meter / l=content per meter / m²=surface per meter / n=exponent
The manufacturer reserves the right to alter any of the specifications shown in this document without prior notice.

Heat outputs according to EN442

On the label:
PLAN PLINTH D T22-44: 0149
PLINTH DECO D T22-44: 0252



| | |
|-----------|------------|
| EN442 (W) | 70/50/20°C |
| EN442 (W) | 55/45/20°C |
| EN442 (W) | 75/65/20°C |

Stelrad BV/PL24/0020/E007

| Height | 200 | | | Height |
|--------|-------|-------|-------|--------|
| Type | 22 | 33 | 44 | Type |
| 1000 | 434 | 684 | 887 | 1000 |
| | 301 | 477 | 613 | |
| | 576 | 906 | 1.181 | |
| 1200 | 521 | 821 | 1.064 | 1200 |
| | 362 | 572 | 735 | |
| | 691 | 1.087 | 1.417 | |
| 1400 | 607 | 958 | 1.241 | 1400 |
| | 422 | 667 | 858 | |
| | 806 | 1.268 | 1.653 | |
| 1600 | 695 | 1.095 | 1.419 | 1600 |
| | 482 | 763 | 981 | |
| | 922 | 1.450 | 1.890 | |
| 1800 | 781 | 1.232 | 1.596 | 1800 |
| | 543 | 858 | 1.103 | |
| | 1.037 | 1.631 | 2.126 | |
| 2000 | 868 | 1.369 | 1.773 | 2000 |
| | 603 | 953 | 1.226 | |
| | 1.152 | 1.812 | 2.362 | |
| 2200 | 955 | 1.505 | 1.951 | 2200 |
| | 663 | 1.048 | 1.348 | |
| | 1.267 | 1.993 | 2.598 | |
| 2400 | 1.041 | 1.642 | 2.128 | 2400 |
| | 723 | 1.143 | 1.471 | |
| | 1.382 | 2.174 | 2.834 | |
| 2600 | 1.129 | 1.779 | 2.306 | 2600 |
| | 784 | 1.239 | 1.594 | |
| | 1.498 | 2.356 | 3.071 | |



General information

RENO PLANAR

The Reno Planar is a compact radiator, with a beautiful decorative flat front, specially designed for use in home renovations. Its very specific dimensions make it possible to replace the old cast iron and column radiators while preserving the existing pipes. Simple and quick installation is possible without conversion. In addition, this radiator offers the same advantages as a compact radiator thanks to its finish with a sturdy housing and decorative grille.

| | |
|-----------------------------|---|
| Product: | the fully encased compact radiator with a flat front specifically developed for the renovation market |
| Finishing: | decorative flat front, upper grille and side panels |
| Also supplied: | installation instructions |
| Connections: | 4 x 1/2" female connection |
| Lugs: | 2 pairs of mounting lugs up to 1.600 mm and 3 pairs from 1.800 mm |
| Packaging: | Every radiator is sturdily packaged in high-quality cardboard and wrapped in plastic. The radiator's characteristics are shown on the label: type – height – length. |
| Warranty: | 10 years, as long as the installation instructions have been followed and Stelrad's warranty conditions have been met. |
| Paint process: | All radiators are degreased, phosphated, cathodically primed and powder-coated in Stelrad white 9016 as standard. |
| Colours: | Stelrad white 9016 + 35 different Stelrad colours and about 200 RAL-colours are possible |
| Max. operating pressure: | 10 bar (tested to 13 bar) |
| Max. operating temperature: | 110 °C |
| Conformity: | in accordance with EN442 |
| Types: | 21 22 33 |
| Heights: | 550 950 mm |
| Lengths: | 400 – 2.000 mm |
| Depths: | 79 102 160 mm |

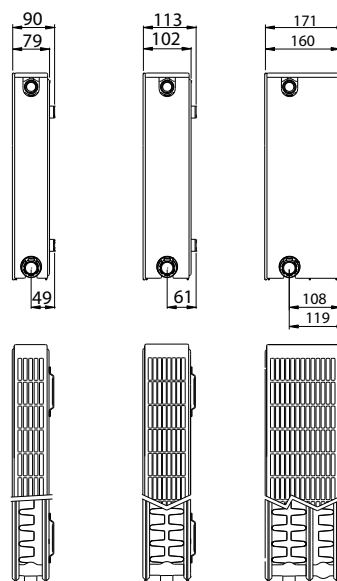


Type overview

Calculation factor
per meter
at 75/65/20°C
according to EN442

Characteristic equation:

$$\Phi = K_M \times \Delta T^n$$



| Height | | Type 21 | Type 22 | Type 33 | Centre distance |
|--------|----|---------|---------|---------|-----------------|
| 550 | W | 1.146 | 1.524 | 2.176 | 500 |
| | kg | 31,89 | 36,60 | 53,33 | |
| | l | 5,95 | 5,95 | 9,00 | |
| | m² | 4,78 | 7,04 | 10,55 | |
| | n | 1,32 | 1,32 | 1,34 | |
| 950 | W | 1.815 | 2.309 | 3.300 | 900 |
| | kg | 50,85 | 56,45 | 81,25 | |
| | l | 10,45 | 10,50 | 15,63 | |
| | m² | 8,52 | 12,68 | 19,02 | |
| | n | 1,31 | 1,35 | 1,38 | |

W=heat output per meter / kg=weight per meter / l=content per meter / m²=surface per meter / n=exponent
The manufacturer reserves the right to alter any of the specifications shown in this document without prior notice.

RENO PLANAR

Heat outputs according to EN442



On the label:
RENO PLAN

Art. 0444 0950 22 1000
T21-33: 0444 ┌
 └─ H950 ─┐
 └─ T22 ─┐
 └─ L1000 ─┘

EN442 (W) 70/50/20°C

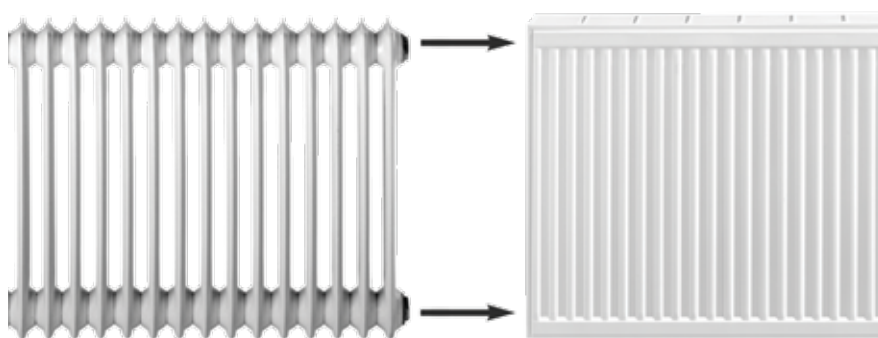
EN442 (W) 55/45/20°C

EN442 (W) 75/65/20°C

| Height | 550 | | |
|--------|-------|-------|-------|
| | 21 | 22 | 33 |
| 400 | 341 | 454 | 646 |
| | 233 | 311 | 440 |
| | 458 | 610 | 870 |
| 500 | 427 | 568 | 807 |
| | 292 | 389 | 549 |
| | 573 | 762 | 1.088 |
| 600 | 512 | 682 | 969 |
| | 350 | 467 | 659 |
| | 688 | 914 | 1.306 |
| 700 | 597 | 795 | 1.130 |
| | 408 | 545 | 769 |
| | 802 | 1.067 | 1.523 |
| 800 | 683 | 909 | 1.292 |
| | 467 | 622 | 879 |
| | 917 | 1.219 | 1.741 |
| 900 | 768 | 1.022 | 1.453 |
| | 525 | 700 | 989 |
| | 1.031 | 1.372 | 1.958 |
| 1000 | 853 | 1.136 | 1.614 |
| | 583 | 778 | 1.099 |
| | 1.146 | 1.524 | 2.176 |
| 1100 | 939 | 1.250 | 1.776 |
| | 642 | 856 | 1.209 |
| | 1.261 | 1.676 | 2.394 |
| 1200 | 1.024 | 1.363 | 1.937 |
| | 700 | 933 | 1.319 |
| | 1.375 | 1.829 | 2.611 |
| 1400 | 1.195 | 1.590 | 2.260 |
| | 817 | 1.089 | 1.538 |
| | 1.604 | 2.134 | 3.046 |
| 1600 | 1.365 | 1.818 | 2.583 |
| | 933 | 1.245 | 1.758 |
| | 1.834 | 2.438 | 3.482 |
| 1800 | 1.536 | 2.045 | 2.906 |
| | 1.050 | 1.400 | 1.978 |
| | 2.063 | 2.743 | 3.917 |
| 2000 | 1.707 | 2.272 | 3.229 |
| | 1.167 | 1.556 | 2.198 |
| | 2.292 | 3.048 | 4.352 |

| 950 | | | Height |
|------|-------|-------|--------|
| 21 | 22 | 33 | |
| 400 | 542 | 684 | 971 |
| | 372 | 464 | 653 |
| | 726 | 924 | 1.320 |
| 500 | 677 | 855 | 1.213 |
| | 464 | 580 | 817 |
| | 908 | 1.155 | 1.650 |
| 600 | 813 | 1.026 | 1.456 |
| | 557 | 696 | 980 |
| | 1.089 | 1.385 | 1.980 |
| 700 | 948 | 1.197 | 1.699 |
| | 650 | 812 | 1.143 |
| | 1.271 | 1.616 | 2.310 |
| 800 | 1.084 | 1.368 | 1.942 |
| | 743 | 928 | 1.306 |
| | 1.452 | 1.847 | 2.640 |
| 900 | 1.219 | 1.539 | 2.184 |
| | 836 | 1.044 | 1.470 |
| | 1.634 | 2.078 | 2.970 |
| 1000 | 1.355 | 1.709 | 2.427 |
| | 929 | 1.160 | 1.633 |
| | 1.815 | 2.309 | 3.300 |
| 1100 | 1.490 | 1.880 | 2.670 |
| | 1.022 | 1.276 | 1.796 |
| | 1.997 | 2.540 | 3.630 |
| 1200 | 1.625 | 2.051 | 2.912 |
| | 1.115 | 1.392 | 1.960 |
| | 2.178 | 2.771 | 3.960 |
| 1400 | 1.896 | 2.393 | 3.398 |
| | 1.300 | 1.624 | 2.286 |
| | 2.541 | 3.233 | 4.620 |
| 1600 | 2.167 | 2.735 | 3.883 |
| | 1.486 | 1.856 | 2.613 |
| | 2.904 | 3.694 | 5.280 |
| 1800 | 2.438 | 3.077 | 4.368 |
| | 1.672 | 2.088 | 2.940 |
| | 3.267 | 4.156 | 5.940 |
| 2000 | 2.709 | 3.419 | 4.854 |
| | 1.858 | 2.320 | 3.266 |
| | 3.630 | 4.618 | 6.600 |

Core assortment (Stelrad white 9016) available ex factory within 10 days.
Core assortment is subject to change, please refer to www.stelrad.eu for the latest information.
Delivery time depends on the model, please refer to your distributor:



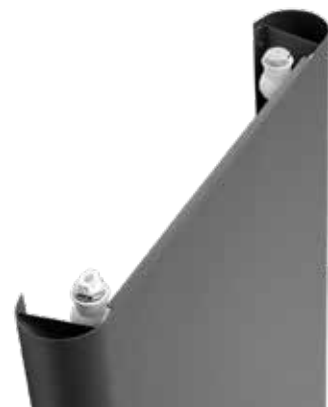
Stelrad BV/PL24/0020/EC07

General information

VERTEX SWING

With its attractive round contours the Vertex Swing radiator is set to charm anyone. Its specific design not only makes it look graceful, it also provides heating performance that exceeds expectations. You can also have the colour of the Vertex Swing seamlessly merge into your interior; or use it as an eye-catcher to give the space extra character. Whatever choices you make, the Vertex Swing offers you the ultimate solution.

| | |
|-----------------------------|--|
| Product: | decorative vertical radiator with a centre connection, a minimum distance to the wall and round curves |
| Finishing: | completely smooth, rounded design |
| Also supplied: | wall brackets, ETA safety screws and plugs, screws, plugs, air vent, blind plugs and installation instructions |
| Connections: | 4 x ½" female connection (centre connection included) |
| Lugs: | no lugs |
| Packaging: | Every radiator is sturdily packaged with protective foam-filled bags, in high-quality cardboard and wrapped in plastic. The radiator's characteristics are shown on the label: type – height – length. |
| Warranty: | 10 years, as long as the installation instructions have been followed and Stelrad's warranty conditions have been met. |
| Paint process: | All radiators are degreased, phosphated, cathodically primed and powder-coated in Stelrad white 9016 as standard. |
| Colours: | Stelrad white 9016 + 35 different Stelrad colours and about 200 RAL-colours are possible |
| Max. operating pressure: | 10 bar (tested to 13 bar) |
| Max. operating temperature: | 110 °C |
| Conformity: | in accordance with EN442 |
| Types: | 21 22 |
| Heights: | 1.820 2.020 mm |
| Lengths: | Type 21: 504 604 704 mm Type 22: 527 627 727 mm |
| Depths: | 96 119 mm |

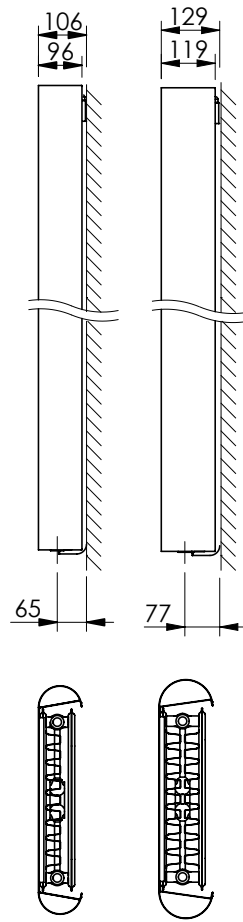


Type overview

Calculation factor
per nominal meter
at 75/65/20°C
according to EN442

Characteristic equation:

$$\Phi = K_M \times \Delta T^n$$



| Height | | Type 21 | Type 22 | Nominal Height |
|--------|----------------|---------|---------|----------------|
| 1820 | W | 3.060 | 3.690 | 1800 |
| | kg | 96,00 | 105,30 | |
| | l | 15,90 | 15,90 | |
| | m ² | 13,58 | 18,90 | |
| | n | 1,30 | 1,31 | |
| 2020 | W | 3.270 | 3.960 | 2000 |
| | kg | 106,20 | 116,40 | |
| | l | 17,70 | 17,70 | |
| | m ² | 15,88 | 22,58 | |
| | n | 1,30 | 1,30 | |

W=heat output per nom. meter / kg=weight per nom. meter / l=content per nom. meter / m²=surface per nom. meter / n=exponent
The manufacturer reserves the right to alter any of the specifications shown in this document without prior notice.

General information

VERTEX TANGO

With its natural sleek contours the Vertex Tango creates allure in any interior. Whether you choose a minimalist look or a cosy warm atmosphere, its seamless angular finish makes the Vertex Tango stylish and uniform in every way. Choose one of our colours to find the perfect harmony between your home and your Vertex Tango radiator.

| | |
|-----------------------------|--|
| Product: | decorative vertical radiator with a centre connection, a minimum distance to the wall and a neat angular look |
| Finishing: | completely smooth, angled design |
| Also supplied: | wall brackets, ETA safety screws and plugs, screws, plugs, air vent, blind plugs and installation instructions |
| Connections: | 4 x ½" female connection (centre connection included) |
| Lugs: | no lugs |
| Packaging: | Every radiator is sturdily packaged with protective foam-filled bags, in high-quality cardboard and wrapped in plastic. The radiator's characteristics are shown on the label: type – height – length. |
| Warranty: | 10 years, as long as the installation instructions have been followed and Stelrad's warranty conditions have been met. |
| Paint process: | All radiators are degreased, phosphated, cathodically primed and powder-coated in Stelrad white 9016 as standard. |
| Colours: | Stelrad white 9016 + 35 different Stelrad colours and about 200 RAL-colours are possible |
| Max. operating pressure: | 10 bar (tested to 13 bar) |
| Max. operating temperature: | 110 °C |
| Conformity: | in accordance with EN442 |
| Types: | 21 22 |
| Heights: | 1.820 2.020 mm |
| Lengths: | 410 510 610 mm |
| Depths: | 96 119 mm |

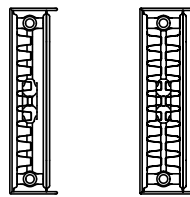
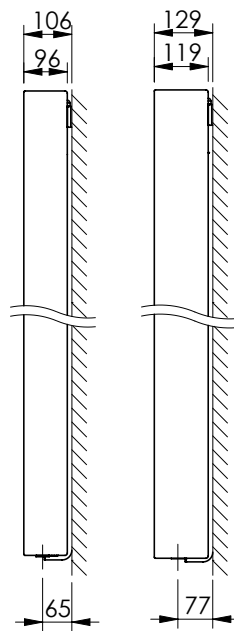


Type overview

Calculation factor
per nominal meter
at 75/65/20°C
according to EN442

Characteristic equation:

$$\dot{\Phi} = K_M \times \Delta T^n$$



| Height | | Type 21 | Type 22 | Nominal Height |
|--------|----------------|---------|---------|----------------|
| 1820 | W | 3.060 | 3.690 | 1800 |
| | kg | 96,00 | 105,30 | |
| | l | 15,90 | 15,90 | |
| | m ² | 13,58 | 18,90 | |
| | n | 1,30 | 1,31 | |
| 2020 | W | 3.270 | 3.960 | 2000 |
| | kg | 106,20 | 116,40 | |
| | l | 17,70 | 17,70 | |
| | m ² | 15,88 | 22,58 | |
| | n | 1,30 | 1,30 | |

W=heat output per nom. meter / kg=weight per nom. meter / l=content per nom. meter / m²=surface per nom. meter / n=exponent
The manufacturer reserves the right to alter any of the specifications shown in this document without prior notice.

General information

VERTEX SLIM

The Vertex Slim is the ultimate design radiator for anyone preferring a sleek and masterly design. The completely uniform front and recessed black side panels and upper grille give the radiator an unparalleled aura. Its excellent bi-colour finish adds extra class to your home, even if the space is limited.

| | |
|-----------------------------|--|
| Product: | decorative vertical radiator with a centre connection and a smooth front panel and recessed black side panels |
| Finishing: | completely smooth design with jointless recessed black side panels |
| Also supplied: | wall brackets, ETA safety screws and plugs, screws, plugs, air vent, blind plugs and installation instructions |
| Connections: | 4 x ½" female connection (centre connection included) |
| Lugs: | no lugs |
| Packaging: | Every radiator is sturdily packaged with protective foam-filled bags, in high-quality cardboard and wrapped in plastic. The radiator's characteristics are shown on the label: type – height – length. |
| Warranty: | 10 years, as long as the installation instructions have been followed and Stelrad's warranty conditions have been met. |
| Paint process: | All radiators are degreased, phosphated, cathodically primed and powder-coated in Stelrad white 9016 as standard. |
| Colours front panel: | Stelrad white 9016 + 35 different Stelrad colours and about 200 RAL-colours are possible |
| Colour side panel: | SN170 black |
| Max. operating pressure: | 10 bar (tested to 13 bar) |
| Max. operating temperature: | 110 °C |
| Conformity: | in accordance with EN442 |
| Types: | 11 21 22 |
| Heights: | 1.840 2.040 mm |
| Lengths: | 470 570 670 mm |
| Depths: | 73 96 119 mm |

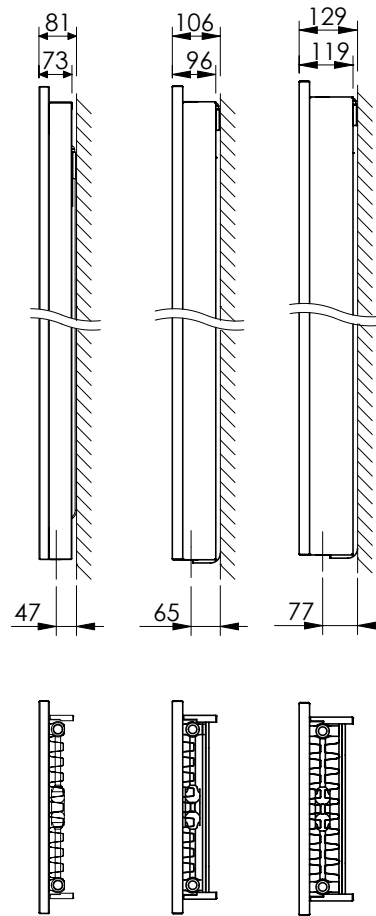


Type overview

Calculation factor
per nominal meter
at 75/65/20°C
according to EN442

Characteristic equation:

$$\Phi = K_M \times \Delta T^n$$



| Height | | Type 11 | Type 21 | Type 22 | Nominal Height |
|--------|----------------|---------|---------|---------|----------------|
| 1840 | W | 2.133 | 3.060 | 3.690 | 1800 |
| | kg | 63,00 | 96,00 | 105,30 | |
| | l | 8,10 | 15,90 | 15,90 | |
| | m ² | 9,86 | 13,58 | 18,90 | |
| | n | 1,30 | 1,30 | 1,31 | |
| 2040 | W | 2.298 | 3.270 | 3.960 | 2000 |
| | kg | 69,60 | 106,20 | 116,40 | |
| | l | 9,00 | 17,70 | 17,70 | |
| | m ² | 11,80 | 15,88 | 22,58 | |
| | n | 1,30 | 1,30 | 1,30 | |

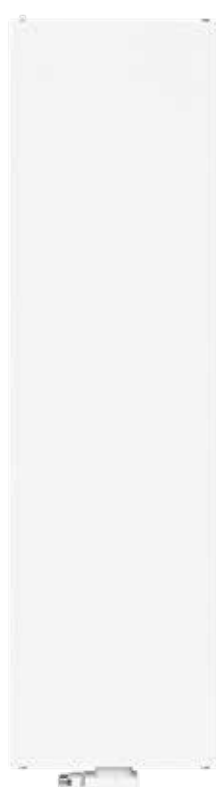
W=heat output per nom. meter / kg=weight per nom. meter / l=content per nom. meter / m²=surface per nom. meter / n=exponent
The manufacturer reserves the right to alter any of the specifications shown in this document without prior notice.

General information

VERTEX PLAN

The Vertex Plan combines a sleek and decorative appearance and is perfect for applications where wall space is at a premium. This radiator can be perfectly combined with the Planar 8 to provide a modern design and consistent look throughout your whole home.

| | |
|-----------------------------|--|
| Product: | decorative vertical radiator with a centre connection and a flat front |
| Finishing: | decorative flat front and side panels |
| Also supplied: | wall brackets, ETA safety screws and plugs, screws, plugs, air vent, blind plugs and installation instructions |
| Connections: | 4 x ½" female connection (centre connection included) |
| Lugs: | no lugs |
| Packaging: | Every radiator is sturdily packaged in high-quality cardboard and wrapped in plastic. The radiator's characteristics are shown on the label: type – height – length. |
| Warranty: | 10 years, as long as the installation instructions have been followed and Stelrad's warranty conditions have been met. |
| Paint process: | All radiators are degreased, phosphated, cathodically primed and powder-coated in Stelrad white 9016 as standard. |
| Colours: | Stelrad white 9016 + 35 different Stelrad colours and about 200 RAL-colours are possible |
| Max. operating pressure: | 10 bar (tested to 13 bar) |
| Max. operating temperature: | 110 °C |
| Conformity: | in accordance with EN442 |
| Quality assurance: | NF |
| Types: | 11 20 21 22 |
| Heights: | 1.600 1.800 2.000 2.200 mm |
| Lengths: | 300 400 500 600 700 mm |
| Depths: | 49 79 79 102 mm |

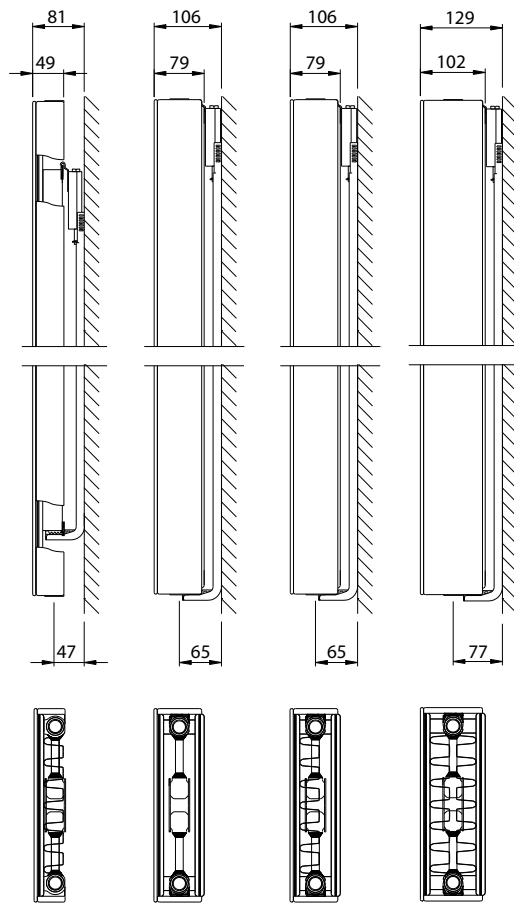


Type overview

Calculation factor
per meter
at 75/65/20°C
according to EN442

Characteristic equation:

$$\Phi = K_M \times \Delta T^n$$



| Height | | Type 11 | Type 20 | Type 21 | Type 22 | Height |
|--------|----------------|---------|---------|---------|---------|--------|
| 1600 | W | 1.959 | 2.310 | 2.808 | 3.390 | 1600 |
| | kg | 56,10 | 77,70 | 85,80 | 94,20 | |
| | l | 7,20 | 14,10 | 14,10 | 14,10 | |
| | m ² | 9,40 | 7,33 | 12,66 | 17,98 | |
| | n | 1,31 | 1,27 | 1,31 | 1,31 | |
| 1800 | W | 2.133 | 2.532 | 3.060 | 3.690 | 1800 |
| | kg | 63,00 | 86,70 | 96,00 | 105,30 | |
| | l | 8,10 | 16,20 | 15,90 | 15,90 | |
| | m ² | 9,86 | 8,25 | 13,58 | 18,90 | |
| | n | 1,30 | 1,27 | 1,30 | 1,31 | |
| 2000 | W | 2.298 | 2.748 | 3.270 | 3.960 | 2000 |
| | kg | 69,60 | 95,40 | 106,20 | 116,40 | |
| | l | 9,00 | 18,30 | 17,70 | 17,70 | |
| | m ² | 11,80 | 9,17 | 15,88 | 22,58 | |
| | n | 1,30 | 1,27 | 1,30 | 1,30 | |
| 2200 | W | 2.454 | 2.958 | 3.510 | 4.230 | 2200 |
| | kg | 75,60 | 105,60 | 116,40 | 126,60 | |
| | l | 9,90 | 20,10 | 20,10 | 20,10 | |
| | m ² | 12,26 | 10,09 | 16,79 | 23,50 | |
| | n | 1,29 | 1,27 | 1,30 | 1,29 | |

W=heat output per meter / kg=weight per meter / l=content per meter / m²=surface per meter / n=exponent
The manufacturer reserves the right to alter any of the specifications shown in this document without prior notice.

General information

VERTEX STYLE

In both traditional and trendy newly build and renovation projects large glazed sections and terrace windows are often used to optimise natural lighting and thus limiting the open wall space. With the Vertex Style Stelrad offers you the ideal solution. When combining the Vertex Style with Planar Style 8 and Compact Style models a light and spacious feeling is created throughout your home.

| | |
|-----------------------------|--|
| Product: | decorative vertical radiator with a centre connection and a stylised front |
| Finishing: | decorative stylised front and side panels |
| Also supplied: | wall brackets, ETA safety screws and plugs, screws, plugs, air vent, blind plugs and installation instructions |
| Connections: | 4 x ½" female connection (centre connection included) |
| Lugs: | no lugs |
| Packaging: | Every radiator is sturdily packaged in high-quality cardboard and wrapped in plastic. The radiator's characteristics are shown on the label: type – height – length. |
| Warranty: | 10 years, as long as the installation instructions have been followed and Stelrad's warranty conditions have been met. |
| Paint process: | All radiators are degreased, phosphated, cathodically primed and powder-coated in Stelrad white 9016 as standard. |
| Colours: | Stelrad white 9016 + 35 different Stelrad colours and about 200 RAL-colours are possible |
| Max. operating pressure: | 10 bar (tested to 13 bar) |
| Max. operating temperature: | 110 °C |
| Conformity: | in accordance with EN442 |
| Quality assurance: | NF |
| Types: | 11 20 21 22 |
| Heights: | 1.600 1.800 2.000 2.200 mm |
| Lengths: | 300 400 500 600 700 mm |
| Depths: | 49 79 79 102 mm |

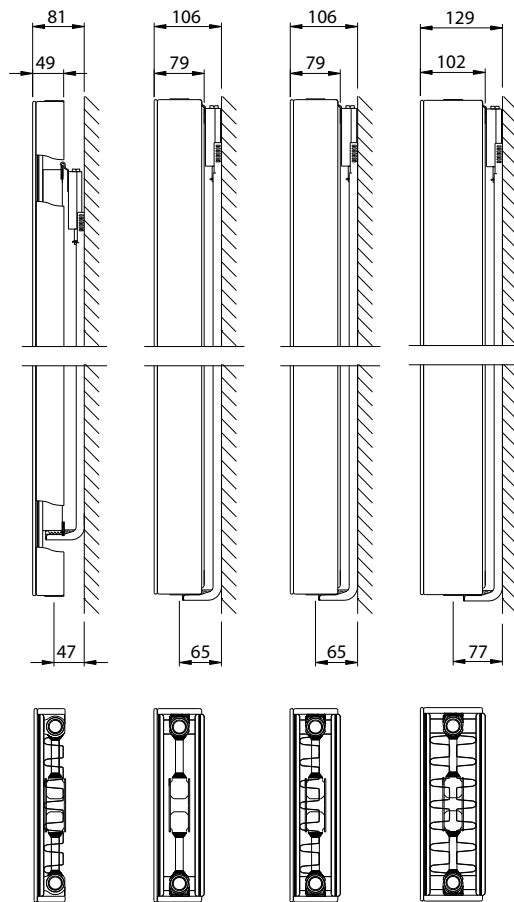


Type overview

Calculation factor
per meter
at 75/65/20°C
according to EN442

Characteristic equation:

$$\Phi = K_M \times \Delta T^n$$



| Height | | Type 11 | Type 20 | Type 21 | Type 22 | Height |
|--------|----------------|---------|---------|---------|---------|--------|
| 1600 | W | 1.959 | 2.310 | 2.808 | 3.390 | 1600 |
| | kg | 56,10 | 77,70 | 85,80 | 94,20 | |
| | l | 7,20 | 14,10 | 14,10 | 14,10 | |
| | m ² | 9,40 | 7,33 | 12,66 | 17,98 | |
| | n | 1,31 | 1,27 | 1,31 | 1,31 | |
| 1800 | W | 2.133 | 2.532 | 3.060 | 3.690 | 1800 |
| | kg | 63,00 | 86,70 | 96,00 | 105,30 | |
| | l | 8,10 | 16,20 | 15,90 | 15,90 | |
| | m ² | 9,86 | 8,25 | 13,58 | 18,90 | |
| | n | 1,30 | 1,27 | 1,30 | 1,31 | |
| 2000 | W | 2.298 | 2.748 | 3.270 | 3.960 | 2000 |
| | kg | 69,60 | 95,40 | 106,20 | 116,40 | |
| | l | 9,00 | 18,30 | 17,70 | 17,70 | |
| | m ² | 11,80 | 9,17 | 15,88 | 22,58 | |
| | n | 1,30 | 1,27 | 1,30 | 1,30 | |
| 2200 | W | 2.454 | 2.958 | 3.510 | 4.230 | 2200 |
| | kg | 75,60 | 105,60 | 116,40 | 126,60 | |
| | l | 9,90 | 20,10 | 20,10 | 20,10 | |
| | m ² | 12,26 | 10,09 | 16,79 | 23,50 | |
| | n | 1,29 | 1,27 | 1,30 | 1,29 | |

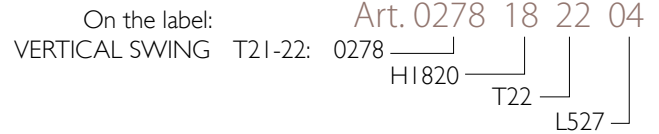
W=heat output per meter / kg=weight per meter / l=content per meter / m²=surface per meter / n=exponent
The manufacturer reserves the right to alter any of the specifications shown in this document without prior notice.

VERTEX SWING

Heat outputs according to EN442



- EN442 (W) 70/50/20°C**
- EN442 (W) 55/45/20°C**
- EN442 (W) 75/65/20°C**



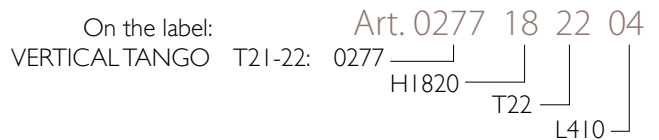
Steirrad BV/PL24/0020/EO07

| Height | 1820 | | 2020 | |
|--------|-------|-------|-------|-------|
| | Type | | | |
| 504 | 915 | 979 | 1.103 | 1.185 |
| | 629 | 673 | 757 | 815 |
| | 1.224 | 1.308 | 1.476 | 1.584 |
| 604 | 1.144 | 1.223 | 1.378 | 1.481 |
| | 786 | 841 | 946 | 1.019 |
| | 1.530 | 1.635 | 1.845 | 1.980 |
| 704 | 1.372 | 1.468 | 1.654 | 1.778 |
| | 943 | 1.010 | 1.136 | 1.223 |
| | 1.836 | 1.962 | 2.214 | 2.376 |

VERTEX TANGO

Steirrad BV/PL24/0020/EO07

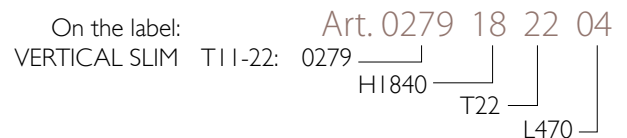
| Height | 1820 | | 2020 | | Height |
|--------|-------|-------|-------|-------|--------|
| | Type | 21 | 22 | Type | |
| 410 | 915 | 1.103 | 979 | 1.185 | 410 |
| | 629 | 757 | 673 | 815 | |
| | 1.224 | 1.476 | 1.308 | 1.584 | |
| 510 | 1.144 | 1.378 | 1.223 | 1.481 | 510 |
| | 786 | 946 | 841 | 1.019 | |
| | 1.530 | 1.845 | 1.635 | 1.980 | |
| 610 | 1.372 | 1.654 | 1.468 | 1.778 | 610 |
| | 943 | 1.136 | 1.010 | 1.223 | |
| | 1.836 | 2.214 | 1.962 | 2.376 | |



VERTEX SLIM

Steirrad BV/PL24/0020/EO07

| Height | 1840 | | | 2040 | | | Height |
|--------|-------|-------|-------|-------|-------|-------|--------|
| | Type | 11 | 21 | 22 | 11 | 21 | |
| 470 | 638 | 915 | 1.103 | 688 | 979 | 1.185 | 470 |
| | 439 | 629 | 757 | 474 | 673 | 815 | |
| | 853 | 1.224 | 1.476 | 919 | 1.308 | 1.584 | |
| 570 | 797 | 1.144 | 1.378 | 860 | 1.223 | 1.481 | 570 |
| | 548 | 786 | 946 | 592 | 841 | 1.019 | |
| | 1.067 | 1.530 | 1.845 | 1.149 | 1.635 | 1.980 | |
| 670 | 957 | 1.372 | 1.654 | 1.032 | 1.468 | 1.778 | 670 |
| | 659 | 943 | 1.136 | 711 | 1.010 | 1.223 | |
| | 1.280 | 1.836 | 2.214 | 1.379 | 1.962 | 2.376 | |

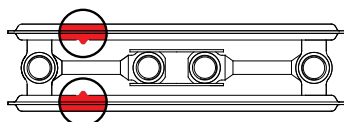


CONNECTION POSSIBILITIES VERTEX SWING, TANGO, SLIM

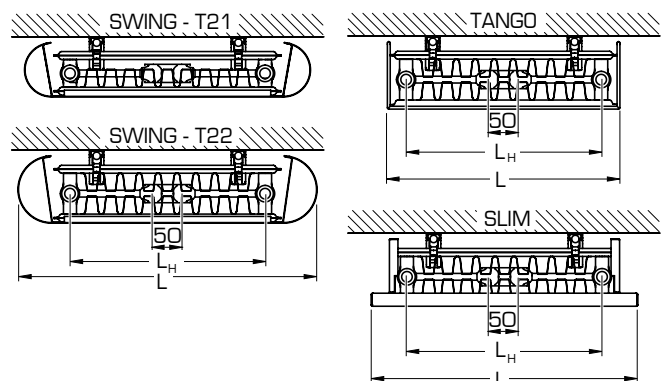
View: front of radiator



| L | | | | L _H | L _{nom} |
|-----------|-----------|-------|------|-----------------|------------------|
| Swing T21 | Swing T22 | Tango | Slim | centre distance | |
| 504 | 527 | 410 | 470 | 344 | 400 |
| 604 | 627 | 510 | 570 | 444 | 500 |
| 704 | 727 | 610 | 670 | 544 | 600 |



● flow lock



VERTEX PLAN

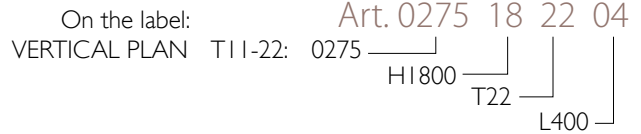
Heat outputs according to EN442



EN442 (W) 70/50/20°C

EN442 (W) 55/45/20°C

EN442 (W) 75/65/20°C



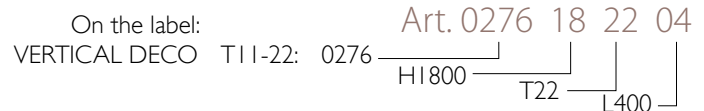
Stelrad BV/PLZ/4/0020/0E007

| Height | 1600 | | | |
|--------|-------|-------|-------|-------|
| | 11 | 20 | 21 | 22 |
| 300 | 439 | 522 | 629 | 759 |
| | 302 | 362 | 432 | 520 |
| | 588 | 693 | 842 | 1.017 |
| 400 | 586 | 696 | 839 | 1.011 |
| | 403 | 483 | 576 | 693 |
| | 784 | 924 | 1.123 | 1.356 |
| 500 | 732 | 870 | 1.049 | 1.264 |
| | 503 | 604 | 720 | 866 |
| | 980 | 1.155 | 1.404 | 1.695 |
| 600 | 878 | 1.044 | 1.259 | 1.517 |
| | 603 | 724 | 864 | 1.039 |
| | 1.175 | 1.386 | 1.685 | 2.034 |
| 700 | 1.025 | 1.218 | 1.468 | 1.770 |
| | 704 | 845 | 1.008 | 1.213 |
| | 1.371 | 1.617 | 1.966 | 2.373 |

| Height | 1800 | | | |
|--------|-------|-------|-------|-------|
| | 11 | 20 | 21 | 22 |
| 300 | 479 | 572 | 686 | 827 |
| | 329 | 397 | 472 | 568 |
| | 640 | 760 | 918 | 1.107 |
| 400 | 638 | 763 | 915 | 1.103 |
| | 439 | 529 | 629 | 757 |
| | 853 | 1.013 | 1.224 | 1.476 |
| 500 | 797 | 953 | 1.144 | 1.378 |
| | 548 | 661 | 786 | 946 |
| | 1.067 | 1.266 | 1.530 | 1.845 |
| 600 | 957 | 1.144 | 1.372 | 1.654 |
| | 659 | 793 | 943 | 1.136 |
| | 1.280 | 1.519 | 1.836 | 2.214 |
| 700 | 1.117 | 1.334 | 1.601 | 1.930 |
| | 768 | 926 | 1.100 | 1.325 |
| | 1.493 | 1.772 | 2.142 | 2.583 |

| Height | 2000 | | | |
|--------|-------|-------|-------|-------|
| | 11 | 20 | 21 | 22 |
| 300 | 516 | 620 | 734 | 889 |
| | 355 | 430 | 505 | 612 |
| | 689 | 824 | 981 | 1.188 |
| 400 | 688 | 827 | 979 | 1.185 |
| | 474 | 574 | 673 | 815 |
| | 919 | 1.099 | 1.308 | 1.584 |
| 500 | 860 | 1.034 | 1.223 | 1.481 |
| | 592 | 717 | 841 | 1.019 |
| | 1.149 | 1.374 | 1.635 | 1.980 |
| 600 | 1.032 | 1.242 | 1.468 | 1.778 |
| | 711 | 861 | 1.010 | 1.223 |
| | 1.379 | 1.649 | 1.962 | 2.376 |
| 700 | 1.205 | 1.449 | 1.712 | 2.074 |
| | 830 | 1.005 | 1.178 | 1.427 |
| | 1.609 | 1.924 | 2.289 | 2.772 |

| Height | 2200 | | | | Height |
|--------|-------|-------|-------|-------|--------|
| | 11 | 20 | 21 | 22 | |
| 300 | 552 | 668 | 788 | 951 | 300 |
| | 380 | 463 | 543 | 656 | |
| | 736 | 887 | 1.053 | 1.269 | |
| 400 | 736 | 891 | 1.051 | 1.268 | 400 |
| | 507 | 618 | 724 | 874 | |
| | 982 | 1.183 | 1.404 | 1.692 | |
| 500 | 920 | 1.113 | 1.314 | 1.585 | 500 |
| | 634 | 772 | 905 | 1.093 | |
| | 1.227 | 1.479 | 1.755 | 2.115 | |
| 600 | 1.103 | 1.336 | 1.577 | 1.902 | 600 |
| | 761 | 927 | 1.086 | 1.311 | |
| | 1.472 | 1.775 | 2.106 | 2.538 | |
| 700 | 1.287 | 1.559 | 1.839 | 2.219 | 700 |
| | 888 | 1.081 | 1.267 | 1.530 | |
| | 1.718 | 2.071 | 2.457 | 2.961 | |



VERTEX STYLE

Stelrad BV/PLZ/4/0020/0E007

| Height | 1600 | | | |
|--------|-------|-------|-------|-------|
| | 11 | 20 | 21 | 22 |
| 300 | 439 | 522 | 629 | 759 |
| | 302 | 362 | 432 | 520 |
| | 588 | 693 | 842 | 1.017 |
| 400 | 586 | 696 | 839 | 1.011 |
| | 403 | 483 | 576 | 693 |
| | 784 | 924 | 1.123 | 1.356 |
| 500 | 732 | 870 | 1.049 | 1.264 |
| | 503 | 604 | 720 | 866 |
| | 980 | 1.155 | 1.404 | 1.695 |
| 600 | 878 | 1.044 | 1.259 | 1.517 |
| | 603 | 724 | 864 | 1.039 |
| | 1.175 | 1.386 | 1.685 | 2.034 |
| 700 | 1.025 | 1.218 | 1.468 | 1.770 |
| | 704 | 845 | 1.008 | 1.213 |
| | 1.371 | 1.617 | 1.966 | 2.373 |

| Height | 1800 | | | |
|--------|-------|-------|-------|-------|
| | 11 | 20 | 21 | 22 |
| 300 | 479 | 572 | 686 | 827 |
| | 329 | 397 | 472 | 568 |
| | 640 | 760 | 918 | 1.107 |
| 400 | 638 | 763 | 915 | 1.103 |
| | 439 | 529 | 629 | 757 |
| | 853 | 1.013 | 1.224 | 1.476 |
| 500 | 797 | 953 | 1.144 | 1.378 |
| | 548 | 661 | 786 | 946 |
| | 1.067 | 1.266 | 1.530 | 1.845 |
| 600 | 957 | 1.144 | 1.372 | 1.654 |
| | 659 | 793 | 943 | 1.136 |
| | 1.280 | 1.519 | 1.836 | 2.214 |
| 700 | 1.117 | 1.334 | 1.601 | 1.930 |
| | 768 | 926 | 1.100 | 1.325 |
| | 1.493 | 1.772 | 2.142 | 2.583 |

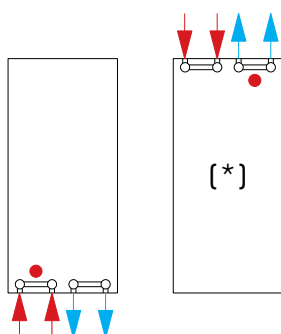
| Height | 2000 | | | |
|--------|-------|-------|-------|-------|
| | 11 | 20 | 21 | 22 |
| 300 | 516 | 620 | 734 | 889 |
| | 355 | 430 | 505 | 612 |
| | 689 | 824 | 981 | 1.188 |
| 400 | 688 | 827 | 979 | 1.185 |
| | 474 | 574 | 673 | 815 |
| | 919 | 1.099 | 1.308 | 1.584 |
| 500 | 860 | 1.034 | 1.223 | 1.481 |
| | 592 | 717 | 841 | 1.019 |
| | 1.149 | 1.374 | 1.635 | 1.980 |
| 600 | 1.032 | 1.242 | 1.468 | 1.778 |
| | 711 | 861 | 1.010 | 1.223 |
| | 1.379 | 1.649 | 1.962 | 2.376 |
| 700 | 1.205 | 1.449 | 1.712 | 2.074 |
| | 830 | 1.005 | 1.178 | 1.427 |
| | 1.609 | 1.924 | 2.289 | 2.772 |

| Height | 2200 | | | | Height |
|--------|-------|-------|-------|-------|--------|
| | 11 | 20 | 21 | 22 | |
| 300 | 552 | 668 | 788 | 951 | 300 |
| | 380 | 463 | 543 | 656 | |
| | 736 | 887 | 1.053 | 1.269 | |
| 400 | 736 | 891 | 1.051 | 1.268 | 400 |
| | 507 | 618 | 724 | 874 | |
| | 982 | 1.183 | 1.404 | 1.692 | |
| 500 | 920 | 1.113 | 1.314 | 1.585 | 500 |
| | 634 | 772 | 905 | 1.093 | |
| | 1.227 | 1.479 | 1.755 | 2.115 | |
| 600 | 1.103 | 1.336 | 1.577 | 1.902 | 600 |
| | 761 | 927 | 1.086 | 1.311 | |
| | 1.472 | 1.775 | 2.106 | 2.538 | |
| 700 | 1.287 | 1.559 | 1.839 | 2.219 | 700 |
| | 888 | 1.081 | 1.267 | 1.530 | |
| | 1.718 | 2.071 | 2.457 | 2.961 | |

Core assortment (Stelrad white 9016) available ex factory within 10 days. Core assortment is subject to change, please refer to www.stelrad.eu for the latest information. Delivery time depends on the model, please refer to your distributor.

CONNECTION POSSIBILITIES VERTEX PLAN · VERTEX STYLE

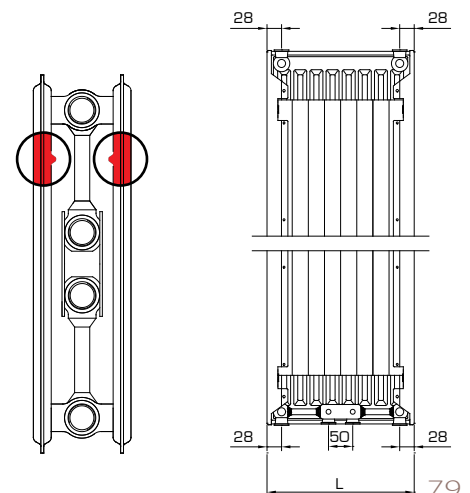
View: front of radiator



(*) With these connection options, both the supply and return must be vented.

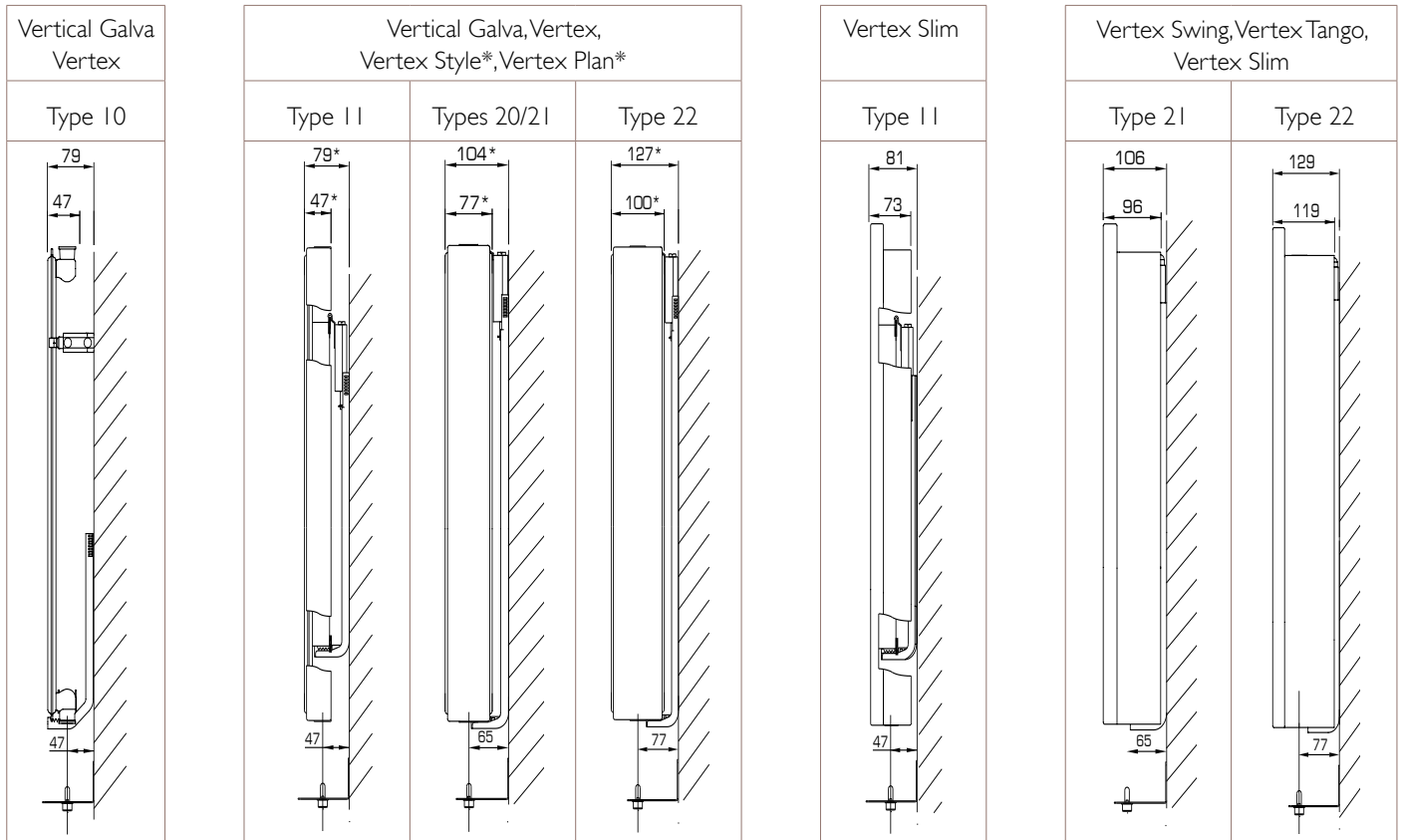
Top connection allowed provided there is a temperature difference between flow and return of maximum 20°C.

flow lock ●



WALL BRACKETS

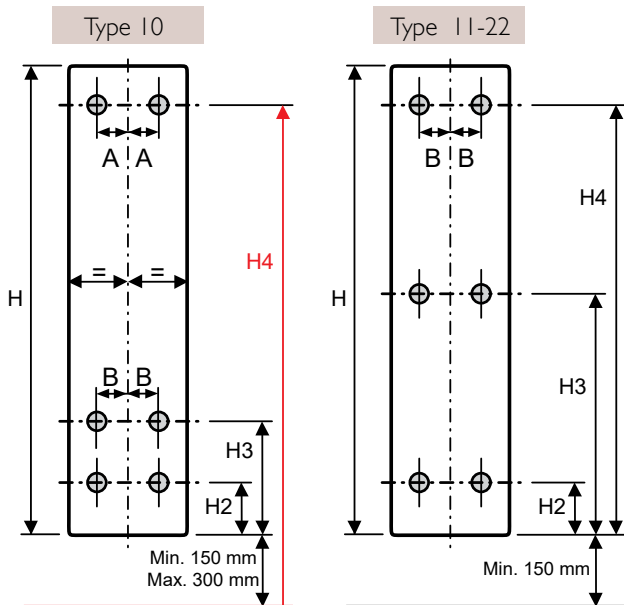
Vertex Swing · Vertex Tango · Vertex Slim · Vertex Plan · Vertex Style · Vertical Galva · Vertex



* size +2 mm

| Nominal Height (mm) | Type 10 | | | Type 11 | | | Types 20-22 | | |
|---------------------|---------|-----|------|---------|------|------|-------------|------|------|
| | H2 | H3 | H4 | H2 | H3 | H4 | H2 | H3 | H4 |
| 1600 | 170 | 270 | 1500 | 160 | 730 | 1300 | 70 | 740 | 1410 |
| 1800 | 170 | 270 | 1700 | 160 | 830 | 1500 | 70 | 840 | 1610 |
| 2000 | 170 | 270 | 1900 | 160 | 930 | 1700 | 70 | 940 | 1810 |
| 2200 | 170 | 270 | 2100 | 160 | 1030 | 1900 | 70 | 1040 | 2010 |

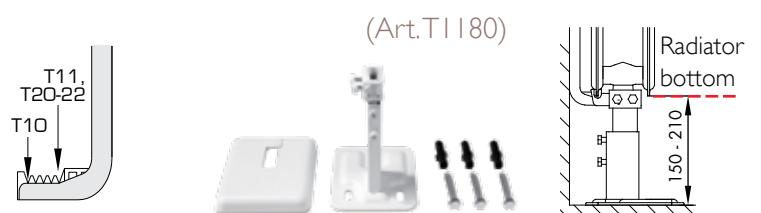
| Nominal Length (mm) | Type 10 | | Type 11 | Types 20-22 |
|---------------------|---------|-----|---------|-------------|
| | A | B | B | B |
| 300 | 45 | 75 | 50 | 60 |
| 400 | 95 | 125 | 80 | 110 |
| 500 | 145 | 175 | 130 | 160 |
| 600 | 195 | 225 | 180 | 210 |
| 700 | 245 | 275 | 230 | 260 |



Always refer to the installation instructions and safety regulations before mounting a radiator!

An additional floor support for vertical radiators (types 20-22) is available for weak walls. A professional inspection of the wall should always be conducted prior to mounting the radiator.

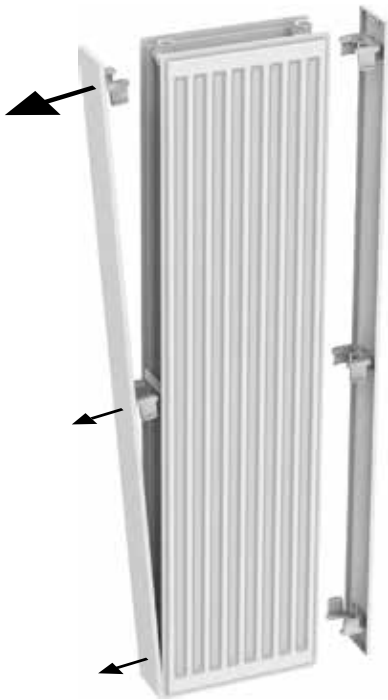
ATTENTION:
Always to be used in combination with the supplied wall brackets!



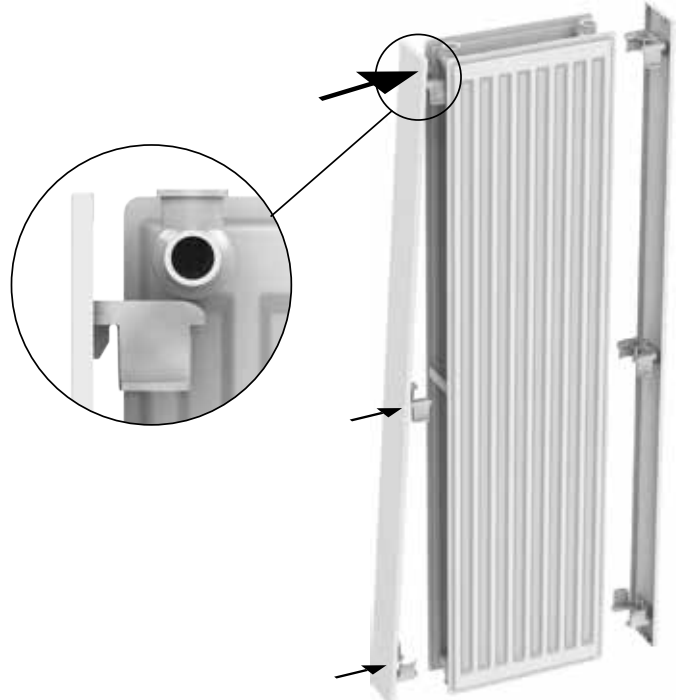
MOUNTING & DISMOUNTING - DRESSING

Vertex Plan · Vertex Style · Vertical Galva · Vertex (Types 20/21/22)

Dismounting



Mounting



GRILLE & BRACKET HIDER

Vertex Slim

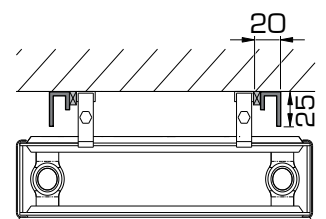
| L (mm) | Art. N° (Type 11) | Art. N° (Type 21) | Art. N° (Type 22) |
|--------|-------------------|-------------------|-------------------|
| 470 | R35141104 | R35142104 | R35142204 |
| 570 | R35141105 | R35142105 | R35142205 |
| 670 | R35141106 | R35142106 | R35142206 |



Vertex Plan · Vertex Style · Vertical Galva · Vertex

| Radiator height (mm) | Art. N° |
|----------------------|---------|
| 1600 | T117116 |
| 1800 | T117118 |
| 2000 | T117120 |
| 2200 | T117122 |

Available for radiator types 11, 20, 21 and 22.
colour: Stelrad white 9016
Fast and easy subsequent mounting

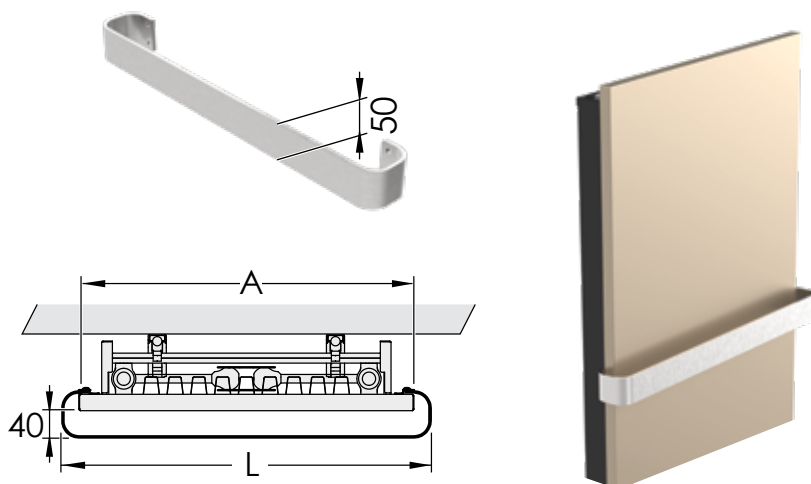


TOWEL RAIL VERTICAL RADIATORS

Vertex Slim

| L (mm) | A (mm) | Art. N° White | Art. N° Stainless |
|------------|-----------|------------------|----------------------|
| 520 | 470 | T116104 | T116204 |
| 620 | 570 | T116105 | T116205 |
| 720 | 670 | T116106 | T116206 |

Finish: brushed stainless steel or white painted
(also available in SN170 black)
3 mounting positions (+/-770, 1050 and 1350 mm
above radiator bottom),
multiple mounting is possible



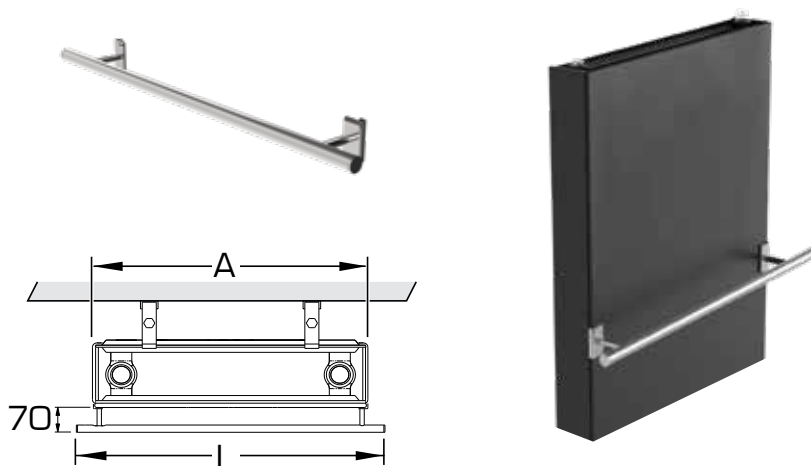
Vertex Plan · Vertex Style · Vertical Galva (except type II)

Vertex (except type II) · Vertex Slim* · Vertex Plan E · Vertex E

| L (mm) | A (mm) | Art. N° |
|------------|------------|---------|
| 380 | 300 | T116403 |
| 480 | 400 (470*) | T116404 |
| 580 | 500 (570*) | T116405 |
| 680 | 600 (670*) | T116406 |
| 780 | 700 | T116407 |

Finish: chrome, can be mounted at any position,
multiple positions possible

* Vertex Slim: only with adapter art. T1165



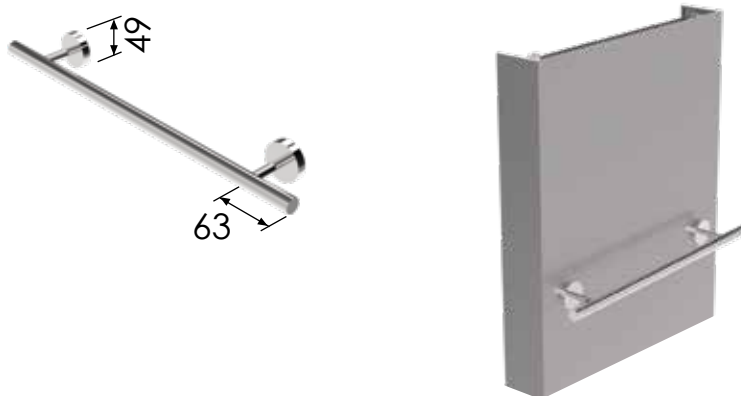
Vertex Plan · Vertex Style · Vertex Swing · Vertex Tango

Vertex Slim · Vertex Plan E

| L (mm) | A (mm) | Art. Nr. |
|------------|------------|----------|
| 400 | 400 | T116604 |
| 500 | 500 | T116605 |
| 600 | 600 | T116606 |
| 700 | 700 | T116607 |

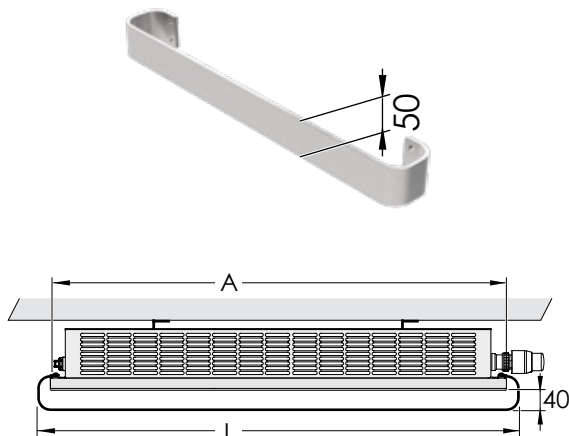
Finish: chrome

Magnetic holders, can be mounted at any position,
multiple positions possible



TOWEL RAILS HORIZONTAL RADIATORS

Planar Slim ECO

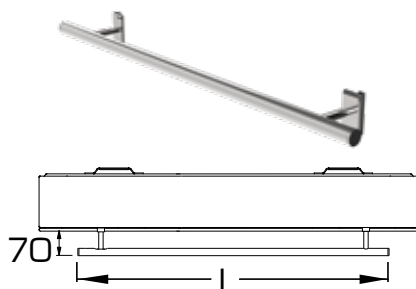


| L (mm) | A (mm) | Art. N° White | Art. N° Stainless steel |
|-------------|--------|------------------|----------------------------|
| 720 | 670 | T116106 | T116206 |
| 920 | 870 | T116108 | T116208 |
| 1120 | 1070 | T116110 | T116210 |

Rail width: 50 mm

Finish: brushed stainless steel or white painted aluminum (also available in SNI 70 black)

Planar VENTO · Compact VENTO · Novello ECO · Planar Slim ECO*
Planar ECO · Planar Style ECO · Planar 8 · Planar Style 8 · Planar Compact Planar · Compact Style · Reno · Reno Planar · Novello 8 Novello · Compact All In

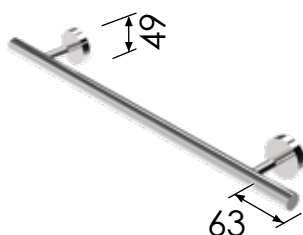


| L (mm) | Art. N° |
|------------|---------|
| 380 | T116403 |
| 480 | T116404 |
| 580 | T116405 |
| 680 | T116406 |
| 780 | T116407 |

Colour: chrome

* Planar Slim ECO: only with adapter art.T1165

Planar VENTO · Planar Slim ECO · Planar ECO · Planar Style ECO
Planar 8 · Planar Style 8 · Hygiene Planar 8 · Planar Compact Planar · Compact Style · Reno Planar

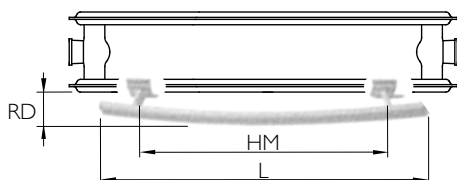


| L (mm) | Art. N° |
|------------|---------|
| 400 | T116604 |
| 500 | T116605 |
| 600 | T116606 |
| 700 | T116607 |

Finish: chrome

Magnetic holders, can be mounted at any position, multiple positions possible

Compact VENTO · Novello ECO · Hygiene ECO · ECO Galva
Hygiene ECO Galva · Reno · Galva · Hygiene Galva · Hygiene Novello 8 · Novello · Compact All In



| L (mm) Rail length | Art. N° | RD (mm) | HM (mm) towel dimension |
|-----------------------|---------|---------|----------------------------|
| 400 | T1149 | 62 | 260 |
| 500 | T1150 | 66 | 360 |
| 600 | T1151 | 69 | 460 |
| 800 | T1152 | 80 | 600 |
| 1000 | T1153 | 103 | 800 |

Mounting & dismounting of dressing: see pages 172 and 173

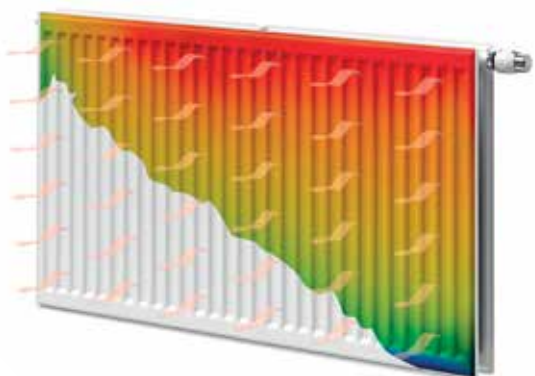
Colour: Stelrad white 9016 only

General information

ECO GALVA

The ECO radiator and its serial flow technology are perfectly suited to operate in low-temperature heating systems. This technology (water flows first through the front panel) results in higher energy efficiency, maximum radiation, faster heating rate and less waste of energy through the back wall. In addition, the ECO Galva radiator is treated with a protective galvanized coating, so it can be used without any concerns in wet areas.

| | |
|-----------------------------|---|
| Product: | low-temperature valve radiator with serial flow technology, perfectly suited for low-temperature heating systems and equipped with a protective galvanised coating underneath, both a centre and lateral bottom connection and a preset valve insert, which can be fitted on the left or right side of the radiator |
| Finishing: | protective galvanised coating without top grille or side panels |
| Pre-installed: | preset Heimeier 4368 or 4369 valve insert, ECO air vent and blind plugs |
| Valve insert: | The integrated adjustable valve insert (without thermostatic head) is factory-fit on the right side of the radiator; CEN certified, tested in accordance with EN215 and compatible with thermostatic heads M30 x 1,5 mm. For types 21, 22 and 33 the valve insert can also be fitted on the left side of the radiator. The thermostatic valve insert is factory-set in relation to the size of the radiator. This presetting ensures optimum throughput in the radiator. Factory setting for two-pipe systems, also suitable for one-pipe systems (as long as the valve insert is adjusted to position 8). |
| Also supplied: | VDI brackets with anti-lift (type Monclac), screws, plugs and installation instructions |
| Connections: | 2 x ¾" male Eurocone centre connection and 2 x ½" female lateral bottom connection |
| Lugs: | 2 pairs of mounting lugs |
| Packaging: | Every radiator is sturdily packaged in high-quality cardboard and wrapped in plastic. The product description is shown on the label: type – height – length. |
| Warranty: | 10 years, as long as the installation instructions have been followed and Stelrad's warranty conditions have been met. |
| Paint process: | All radiators are galvanised, degreased, phosphated, cataphoretically primed and powder-coated in Stelrad white 9016 as standard. |
| Colours: | Stelrad white 9016 + 35 different Stelrad colours and about 200 RAL-colours are possible |
| Heat cost allocator: | Suitable for heat cost allocators, both electronic and according to the evaporation principle (covered by the norm of EN834 & EN835). |
| Max. operating pressure: | 10 bar (tested to 13 bar) |
| Max. operating temperature: | 110 °C |
| Conformity: | in accordance with EN442 |
| Types: | 11 21 22 33 |
| Heights: | 400 500 600 700 900 mm |
| Lengths: | 400 – 1.600 mm |
| Depths: | 60 77 100 158 mm |

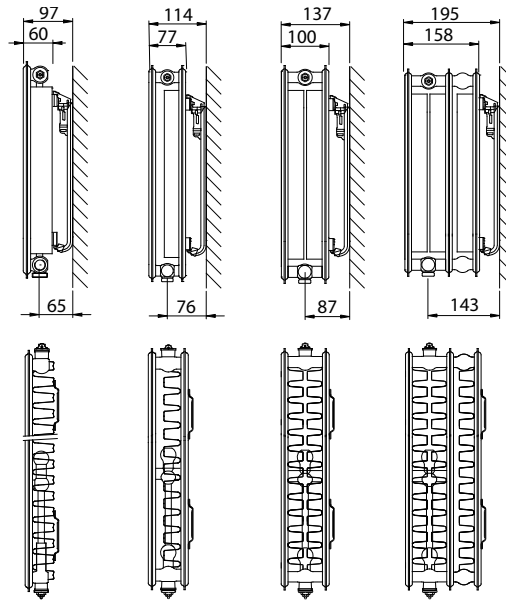


Type overview

Calculation factor
per meter
at 75/65/20°C
according to EN442

Characteristic equation:

$$\Phi = K_M \times \Delta T^n$$



| Height | | Type 11 | Type 21 | Type 22 | Type 33 | Height |
|--------|----------------|---------|---------|---------|---------|--------|
| 400 | W | 687 | 978 | 1.212 | 1.726 | 400 |
| | kg | 11,68 | 18,28 | 20,55 | 30,53 | |
| | l | 2,34 | 4,62 | 4,62 | 6,93 | |
| | m ² | 2,95 | 3,37 | 4,92 | 7,38 | |
| | n | 1,31 | 1,27 | 1,29 | 1,28 | |
| 500 | W | 848 | 1.174 | 1.452 | 2.071 | 500 |
| | kg | 14,99 | 22,72 | 25,60 | 38,17 | |
| | l | 2,80 | 5,78 | 5,78 | 8,67 | |
| | m ² | 3,80 | 4,31 | 6,33 | 9,49 | |
| | n | 1,30 | 1,29 | 1,30 | 1,30 | |
| 600 | W | 1.000 | 1.360 | 1.679 | 2.387 | 600 |
| | kg | 18,30 | 27,15 | 30,65 | 45,80 | |
| | l | 3,25 | 6,95 | 6,95 | 10,40 | |
| | m ² | 4,66 | 5,24 | 7,74 | 11,61 | |
| | n | 1,29 | 1,31 | 1,31 | 1,31 | |
| 700 | W | 1.142 | 1.538 | 1.896 | 2.674 | 700 |
| | kg | 21,33 | 31,32 | 35,63 | 53,18 | |
| | l | 3,77 | 8,12 | 8,12 | 11,27 | |
| | m ² | 5,51 | 6,18 | 9,15 | 13,72 | |
| | n | 1,29 | 1,32 | 1,31 | 1,32 | |
| 900 | W | 1.397 | 1.872 | 2.303 | 3.171 | 900 |
| | kg | 27,40 | 39,65 | 45,60 | 67,94 | |
| | l | 4,80 | 10,45 | 10,45 | 13,00 | |
| | m ² | 7,22 | 8,05 | 11,97 | 17,96 | |
| | n | 1,29 | 1,28 | 1,29 | 1,23 | |

W=heat output per meter / kg=weight per meter / l=content per meter / m²=surface per meter / n=exponent
The manufacturer reserves the right to alter any of the specifications shown in this document without prior notice.

ECO GALVA

Heat outputs according to EN442



EN442 (W) 70/50/20°C

EN442 (W) 55/45/20°C

EN442 (W) 75/65/20°C

Stelrad BV/PL24/0020/EC007

| Height | 400 | | | |
|-------------|-------|-------|-------|-------|
| | 11 | 21 | 22 | 33 |
| 400 | 205 | 294 | 364 | 518 |
| | 141 | 204 | 251 | 358 |
| | 275 | 391 | 485 | 690 |
| 500 | 257 | 368 | 455 | 648 |
| | 177 | 255 | 314 | 448 |
| | 344 | 489 | 606 | 863 |
| 600 | 308 | 442 | 546 | 778 |
| | 211 | 306 | 377 | 538 |
| | 412 | 587 | 727 | 1.036 |
| 700 | 359 | 516 | 636 | 907 |
| | 247 | 358 | 439 | 627 |
| | 481 | 685 | 848 | 1.208 |
| 800 | 411 | 589 | 728 | 1.037 |
| | 282 | 408 | 503 | 717 |
| | 550 | 782 | 970 | 1.381 |
| 900 | 462 | 662 | 819 | 1.166 |
| | 317 | 459 | 565 | 806 |
| | 618 | 880 | 1.091 | 1.553 |
| 1000 | 513 | 736 | 910 | 1.296 |
| | 353 | 510 | 628 | 896 |
| | 687 | 978 | 1.212 | 1.726 |
| 1100 | 565 | 810 | 1.000 | 1.426 |
| | 388 | 562 | 691 | 986 |
| | 756 | 1.076 | 1.333 | 1.899 |
| 1200 | 616 | 884 | 1.091 | 1.555 |
| | 423 | 613 | 754 | 1.075 |
| | 824 | 1.174 | 1.454 | 2.071 |
| 1400 | 719 | 1.030 | 1.273 | 1.814 |
| | 494 | 715 | 879 | 1.254 |
| | 962 | 1.369 | 1.697 | 2.416 |
| 1600 | 821 | 1.178 | 1.455 | 2.074 |
| | 564 | 817 | 1.005 | 1.434 |
| | 1.099 | 1.565 | 1.939 | 2.762 |

| 500 | | | |
|-------|-------|-------|-------|
| 11 | 21 | 22 | 33 |
| 254 | 352 | 435 | 620 |
| 175 | 243 | 299 | 427 |
| 339 | 470 | 581 | 828 |
| 317 | 440 | 543 | 776 |
| 219 | 304 | 374 | 534 |
| 424 | 587 | 726 | 1.036 |
| 381 | 528 | 652 | 931 |
| 262 | 364 | 449 | 641 |
| 509 | 704 | 871 | 1.243 |
| 445 | 616 | 760 | 1.086 |
| 306 | 425 | 523 | 748 |
| 594 | 822 | 1.016 | 1.450 |
| 508 | 704 | 870 | 1.241 |
| 350 | 486 | 599 | 855 |
| 678 | 939 | 1.162 | 1.657 |
| 571 | 792 | 978 | 1.396 |
| 393 | 547 | 673 | 962 |
| 763 | 1.057 | 1.307 | 1.864 |
| 635 | 880 | 1.087 | 1.551 |
| 437 | 607 | 748 | 1.068 |
| 848 | 1.174 | 1.452 | 2.071 |
| 699 | 968 | 1.195 | 1.706 |
| 481 | 668 | 823 | 1.175 |
| 933 | 1.291 | 1.597 | 2.278 |
| 762 | 1.056 | 1.304 | 1.861 |
| 525 | 729 | 898 | 1.282 |
| 1.018 | 1.409 | 1.742 | 2.485 |
| 889 | 1.232 | 1.522 | 2.171 |
| 612 | 850 | 1.047 | 1.495 |
| 1.187 | 1.644 | 2.033 | 2.899 |
| 1.016 | 1.408 | 1.739 | 2.482 |
| 700 | 971 | 1.197 | 1.709 |
| 1.357 | 1.878 | 2.323 | 3.314 |

| 600 | | | |
|-------|-------|-------|-------|
| 11 | 21 | 22 | 33 |
| 300 | 406 | 502 | 713 |
| 207 | 279 | 344 | 490 |
| 400 | 544 | 672 | 955 |
| 375 | 508 | 627 | 892 |
| 259 | 348 | 430 | 612 |
| 500 | 680 | 840 | 1.194 |
| 450 | 609 | 752 | 1.069 |
| 311 | 418 | 516 | 734 |
| 600 | 816 | 1.007 | 1.432 |
| 525 | 711 | 877 | 1.248 |
| 363 | 488 | 602 | 857 |
| 700 | 952 | 1.175 | 1.671 |
| 600 | 812 | 1.003 | 1.426 |
| 414 | 557 | 688 | 979 |
| 800 | 1.088 | 1.343 | 1.910 |
| 675 | 914 | 1.128 | 1.604 |
| 466 | 627 | 774 | 1.101 |
| 900 | 1.224 | 1.511 | 2.148 |
| 750 | 1.015 | 1.254 | 1.783 |
| 518 | 697 | 860 | 1.224 |
| 1.000 | 1.360 | 1.679 | 2.387 |
| 825 | 1.117 | 1.379 | 1.961 |
| 570 | 766 | 946 | 1.346 |
| 1.100 | 1.496 | 1.847 | 2.626 |
| 900 | 1.218 | 1.504 | 2.139 |
| 621 | 836 | 1.032 | 1.468 |
| 1.200 | 1.632 | 2.015 | 2.864 |
| 1.050 | 1.422 | 1.755 | 2.496 |
| 725 | 975 | 1.204 | 1.713 |
| 1.400 | 1.904 | 2.351 | 3.342 |
| 1.200 | 1.625 | 2.005 | 2.852 |
| 829 | 1.115 | 1.376 | 1.958 |
| 1.600 | 2.176 | 2.686 | 3.819 |

ECO GALVA

On the label:
GALVA ECO T11-33: 0695

Art. 0695 09 22 04

| Height | 700 | | | |
|-------------|-------|-------|-------|-------|
| | 11 | 21 | 22 | 33 |
| 400 | 343 | 459 | 566 | 797 |
| | 237 | 314 | 388 | 545 |
| | 457 | 615 | 758 | 1.070 |
| 500 | 428 | 573 | 707 | 996 |
| | 296 | 393 | 485 | 681 |
| | 571 | 769 | 948 | 1.337 |
| 600 | 514 | 688 | 849 | 1.195 |
| | 355 | 471 | 582 | 817 |
| | 685 | 923 | 1.138 | 1.604 |
| 700 | 599 | 803 | 990 | 1.394 |
| | 414 | 550 | 679 | 953 |
| | 799 | 1.077 | 1.327 | 1.872 |
| 800 | 686 | 917 | 1.132 | 1.593 |
| | 473 | 628 | 776 | 1.089 |
| | 914 | 1.230 | 1.517 | 2.139 |
| 900 | 771 | 1.032 | 1.273 | 1.793 |
| | 532 | 707 | 872 | 1.226 |
| | 1.028 | 1.384 | 1.706 | 2.407 |
| 1000 | 857 | 1.147 | 1.415 | 1.991 |
| | 591 | 786 | 970 | 1.362 |
| | 1.142 | 1.538 | 1.896 | 2.674 |
| 1100 | 942 | 1.262 | 1.556 | 2.190 |
| | 650 | 864 | 1.067 | 1.498 |
| | 1.256 | 1.692 | 2.086 | 2.941 |
| 1200 | 1.028 | 1.376 | 1.697 | 2.390 |
| | 709 | 943 | 1.163 | 1.634 |
| | 1.370 | 1.846 | 2.275 | 3.209 |
| 1400 | 1.199 | 1.605 | 1.980 | 2.788 |
| | 828 | 1.100 | 1.357 | 1.907 |
| | 1.599 | 2.153 | 2.654 | 3.744 |
| 1600 | 1.370 | 1.835 | 2.264 | 3.186 |
| | 946 | 1.257 | 1.551 | 2.179 |
| | 1.827 | 2.461 | 3.034 | 4.278 |

| 900 | | | |
|-------|-------|-------|-------|
| 11 | 21 | 22 | 33 |
| 419 | 564 | 691 | 963 |
| 289 | 390 | 477 | 676 |
| 559 | 749 | 921 | 1.268 |
| 523 | 704 | 864 | 1.205 |
| 361 | 488 | 596 | 845 |
| 699 | 936 | 1.152 | 1.586 |
| 628 | 845 | 1.036 | 1.445 |
| 433 | 585 | 715 | 1.014 |
| 838 | 1.123 | 1.382 | 1.903 |
| 733 | 986 | 1.209 | 1.686 |
| 506 | 683 | 834 | 1.183 |
| 978 | 1.310 | 1.612 | 2.220 |
| 838 | 1.127 | 1.381 | 1.927 |
| 578 | 781 | 953 | 1.352 |
| 1.118 | 1.498 | 1.842 | 2.537 |
| 942 | 1.268 | 1.555 | 2.168 |
| 650 | 878 | 1.073 | 1.520 |
| 1.257 | 1.685 | 2.073 | 2.854 |
| 1.047 | 1.408 | 1.727 | 2.408 |
| 723 | 976 | 1.192 | 1.689 |
| 1.397 | 1.872 | 2.303 | 3.171 |
| 1.152 | 1.549 | 1.900 | 2.649 |
| 795 | 1.073 | 1.311 | 1.858 |
| 1.537 | 2.059 | 2.533 | 3.488 |
| 1.257 | 1.690 | 2.073 | 2.890 |
| 867 | 1.171 | 1.430 | 2.027 |
| 1.676 | 2.246 | 2.764 | 3.805 |
| 1.467 | 1.972 | 2.418 | 3.372 |
| 1.012 | 1.366 | 1.668 | 2.365 |
| 1.956 | 2.621 | 3.224 | 4.439 |
| 1.676 | 2.253 | 2.763 | 3.854 |
| 1.156 | 1.561 | 1.907 | 2.703 |
| 2.235 | 2.995 | 3.685 | 5.074 |

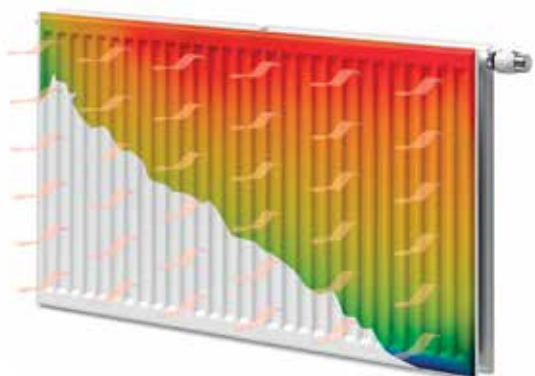
General information

HYGIENE ECO GALVA

The ECO radiator and its serial flow technology are perfectly suited to operate in low-temperature heating systems. This technology (water flows first through the front panel) results in higher energy efficiency, maximum radiation, faster heating rate and less waste of energy through the back wall.

In addition, the Hygiene ECO Galva radiator is treated with a protective galvanized coating, so it can be used without any concerns in wet areas.

| | |
|-----------------------------|---|
| Product: | low-temperature valve radiator without convection fins with serial flow technology, perfectly suited for low-temperature heating systems, specifically developed for environments where hygiene and safety are all-important and equipped with a protective galvanised coating underneath, both a centre and lateral bottom connection and a preset valve insert, which can be fitted on the left or right side of the radiator |
| Finishing: | protective galvanised coating without top grille or side panels |
| Pre-installed: | preset Heimeier 4368 or 4369 valve insert, ECO air vent and blind plugs |
| Valve insert: | The integrated adjustable valve insert (without thermostatic head) is factory-fit on the right side of the radiator; CEN certified, tested in accordance with EN215 and compatible with thermostatic heads M30 x 1,5 mm. For types 20 and 30 the valve insert can also be fitted on the left side of the radiator. The thermostatic valve insert is factory-set in relation to the size of the radiator. This presetting ensures optimum throughput in the radiator. Factory setting for two-pipe systems, also suitable for one-pipe systems (as long as the valve insert is adjusted to position 8). |
| Also supplied: | VDI brackets with anti-lift (type Monclac), screws, plugs and installation instructions |
| Connections: | 2 x ¾" male Eurocone centre connection and 2 x ½" female lateral bottom connection |
| Lugs: | 2 pairs of mounting lugs |
| Packaging: | Every radiator is sturdily packaged in high-quality cardboard and wrapped in plastic. The product description is shown on the label: type – height – length. |
| Warranty: | 10 years, as long as the installation instructions have been followed and Stelrad's warranty conditions have been met. |
| Paint process: | All radiators are galvanised, degreased, phosphated, cataphoretically primed and powder-coated in Stelrad white 9016 as standard. |
| Colours: | Stelrad white 9016 + 35 different Stelrad colours and about 200 RAL-colours are possible |
| Heat cost allocator: | Suitable for heat cost allocators, both electronic and according to the evaporation principle (covered by the norm of EN834 & EN835). |
| Max. operating pressure: | 10 bar (tested to 13 bar) |
| Max. operating temperature: | 110 °C |
| Conformity: | in accordance with EN442 |
| Types: | 10 20 30 |
| Heights: | 400 500 600 700 900 mm |
| Lengths: | 400 – 1.600 mm |
| Depths: | 47 77 158 mm |

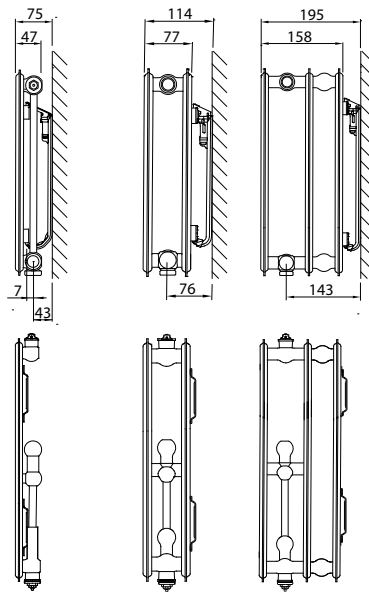


Type overview

Calculation factor
per meter
at 75/65/20°C
according to EN442

Characteristic equation:

$$\dot{\Phi} = K_M \times \Delta T^n$$



| Height | | Type 10 | Type 20 | Type 30 | Height |
|--------|----------------|---------|---------|---------|--------|
| 400 | W | 430 | 732 | 1.074 | 400 |
| | kg | 8,22 | 15,35 | 23,27 | |
| | l | 2,34 | 4,71 | 7,07 | |
| | m ² | 0,91 | 1,83 | 2,73 | |
| | n | 1,29 | 1,28 | 1,30 | |
| 500 | W | 521 | 879 | 1.275 | 500 |
| | kg | 10,28 | 19,12 | 28,73 | |
| | l | 2,80 | 5,70 | 8,63 | |
| | m ² | 1,14 | 2,28 | 3,42 | |
| | n | 1,30 | 1,28 | 1,30 | |
| 600 | W | 610 | 1.023 | 1.470 | 600 |
| | kg | 12,33 | 22,90 | 34,20 | |
| | l | 3,25 | 6,70 | 10,20 | |
| | m ² | 1,37 | 2,74 | 4,11 | |
| | n | 1,31 | 1,29 | 1,31 | |
| 700 | W | 699 | 1.167 | 1.659 | 700 |
| | kg | 14,19 | 26,83 | 40,10 | |
| | l | 3,77 | 7,57 | 11,33 | |
| | m ² | 1,60 | 3,20 | 4,79 | |
| | n | 1,32 | 1,29 | 1,31 | |
| 900 | W | 877 | 1.458 | 2.034 | 900 |
| | kg | 17,90 | 34,70 | 51,90 | |
| | l | 4,80 | 9,30 | 13,60 | |
| | m ² | 2,06 | 4,12 | 6,17 | |
| | n | 1,33 | 1,30 | 1,32 | |

W=heat output per meter / kg=weight per meter / l=content per meter / m²=surface per meter / n=exponent
The manufacturer reserves the right to alter any of the specifications shown in this document without prior notice.

HYGIENE ECO GALVA

Heat outputs according to EN442



EN442 (W) 70/50/20°C

EN442 (W) 55/45/20°C

EN442 (W) 75/65/20°C

Steirrad BV/PL2/40020/EO07

| Height | 400 | | | |
|-------------|------|-----|-------|-------|
| | Type | 10 | 20 | 30 |
| 400 | | | 220 | 322 |
| | | | 153 | 221 |
| | | | 293 | 430 |
| 500 | | 161 | 275 | 402 |
| | | 111 | 191 | 276 |
| | | 215 | 366 | 537 |
| 600 | | 193 | 330 | 482 |
| | | 133 | 229 | 331 |
| | | 258 | 439 | 644 |
| 700 | | 226 | 385 | 563 |
| | | 155 | 267 | 387 |
| | | 301 | 512 | 752 |
| 800 | | 258 | 441 | 643 |
| | | 178 | 305 | 442 |
| | | 344 | 586 | 859 |
| 900 | | 290 | 496 | 723 |
| | | 200 | 343 | 498 |
| | | 387 | 659 | 967 |
| 1000 | | 322 | 551 | 804 |
| | | 222 | 381 | 553 |
| | | 430 | 732 | 1.074 |
| 1100 | | 354 | 605 | 884 |
| | | 244 | 419 | 608 |
| | | 473 | 805 | 1.181 |
| 1200 | | 387 | 660 | 964 |
| | | 267 | 457 | 663 |
| | | 516 | 878 | 1.289 |
| 1400 | | 451 | 771 | 1.125 |
| | | 311 | 534 | 774 |
| | | 602 | 1.025 | 1.504 |
| 1600 | | 516 | 881 | 1.285 |
| | | 355 | 610 | 884 |
| | | 688 | 1.171 | 1.718 |

| 500 | | |
|-----|-------|-------|
| 10 | 20 | 30 |
| | 264 | 381 |
| | 183 | 262 |
| | 352 | 510 |
| 194 | 331 | 477 |
| 134 | 229 | 328 |
| 261 | 440 | 638 |
| 234 | 396 | 572 |
| 161 | 274 | 393 |
| 313 | 527 | 765 |
| 273 | 462 | 667 |
| 188 | 319 | 458 |
| 365 | 615 | 893 |
| 312 | 528 | 763 |
| 214 | 365 | 524 |
| 417 | 703 | 1.020 |
| 351 | 594 | 858 |
| 241 | 411 | 590 |
| 469 | 791 | 1.148 |
| 389 | 660 | 953 |
| 268 | 457 | 655 |
| 521 | 879 | 1.275 |
| 428 | 726 | 1.048 |
| 294 | 502 | 720 |
| 573 | 967 | 1.403 |
| 467 | 793 | 1.144 |
| 321 | 548 | 786 |
| 625 | 1.055 | 1.530 |
| 545 | 925 | 1.334 |
| 375 | 639 | 917 |
| 729 | 1.231 | 1.785 |
| 623 | 1.056 | 1.525 |
| 428 | 730 | 1.048 |
| 834 | 1.406 | 2.040 |

| 600 | | |
|-----|-------|-------|
| 10 | 20 | 30 |
| | 307 | 439 |
| | 212 | 302 |
| | 409 | 588 |
| 227 | 384 | 549 |
| 156 | 265 | 377 |
| 305 | 512 | 735 |
| 273 | 461 | 659 |
| 187 | 318 | 452 |
| 366 | 614 | 882 |
| 318 | 537 | 769 |
| 218 | 371 | 528 |
| 427 | 716 | 1.029 |
| 364 | 614 | 879 |
| 249 | 424 | 603 |
| 488 | 818 | 1.176 |
| 409 | 691 | 988 |
| 281 | 477 | 679 |
| 549 | 921 | 1.323 |
| 455 | 768 | 1.098 |
| 312 | 530 | 754 |
| 610 | 1.023 | 1.470 |
| 500 | 844 | 1.208 |
| 343 | 583 | 829 |
| 671 | 1.125 | 1.617 |
| 546 | 921 | 1.318 |
| 374 | 636 | 905 |
| 732 | 1.228 | 1.764 |
| 637 | 1.074 | 1.537 |
| 436 | 742 | 1.056 |
| 854 | 1.432 | 2.058 |
| 728 | 1.228 | 1.757 |
| 499 | 848 | 1.206 |
| 976 | 1.637 | 2.352 |

HYGIENE ECO GALVA

On the label:
GALVA ECO T10-30: 0695

Art. 0695 09 20 04

| Height | 700 | | |
|-------------|---------------------|-----------------------|-------------------------|
| | 10 | 20 | 30 |
| 400 | | 350 241 467 | 496 340 664 |
| 500 | 261 178 350 | 438 302 584 | 620 425 830 |
| 600 | 312 214 419 | 525 362 700 | 743 510 995 |
| 700 | 364 249 489 | 612 422 817 | 867 595 1.161 |
| 800 | 416 285 559 | 700 482 934 | 991 680 1.327 |
| 900 | 469 321 629 | 787 542 1.050 | 1.115 765 1.493 |
| 1000 | 521 356 699 | 874 603 1.167 | 1.238 850 1.659 |
| 1100 | 573 392 769 | 962 663 1.284 | 1.362 935 1.825 |
| 1200 | 625 428 839 | 1.049 723 1.400 | 1.486 1.020 1.991 |
| 1400 | 729 499 979 | 1.224 844 1.634 | 1.734 1.190 2.323 |
| 1600 | 833 570 1.118 | 1.399 964 1.867 | 1.981 1.359 2.654 |

| | 900 | | |
|--|-----------------------|-------------------------|-------------------------|
| | 10 | 20 | 30 |
| | | 436 299 583 | 607 415 814 |
| | 325 222 439 | 545 374 729 | 758 519 1.017 |
| | 391 267 526 | 654 449 875 | 909 623 1.220 |
| | 456 311 614 | 763 524 1.021 | 1.061 727 1.424 |
| | 522 356 702 | 872 599 1.166 | 1.213 830 1.627 |
| | 586 400 789 | 981 674 1.312 | 1.365 935 1.831 |
| | 652 444 877 | 1.090 749 1.458 | 1.516 1.038 2.034 |
| | 717 489 965 | 1.199 824 1.604 | 1.667 1.142 2.237 |
| | 782 533 1.052 | 1.308 899 1.750 | 1.820 1.246 2.441 |
| | 913 622 1.228 | 1.526 1.048 2.041 | 2.123 1.454 2.848 |
| | 1.043 711 1.403 | 1.744 1.198 2.333 | 2.426 1.661 3.254 |

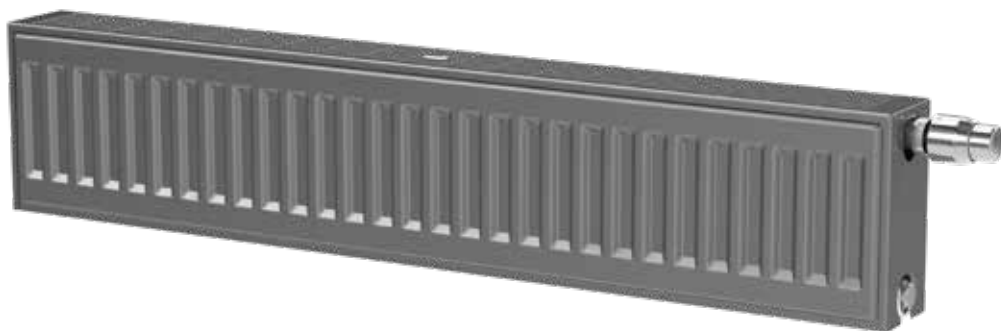
General information

NOVELLO PLINTH

The Novello Plinth offers the perfect solution for spaces with large window sections from floor to ceiling, like shop windows, verandas and winter gardens. Its subtle construction means this radiator perfectly matches any interior. The cold air close to a window is heated to provide warmth.

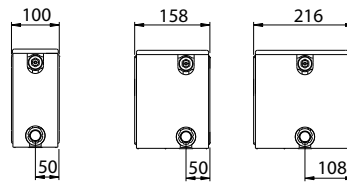
The Novello Plinth can be connected either as a valve or compact radiator:

| | |
|-----------------------------|--|
| Product: | fully encased valve radiator with a height of 200 mm |
| Finishing: | upper grille and side panels |
| Pre-installed: | preset Heimeier 4368 or 4369 valve insert |
| Valve insert: | The integrated adjustable valve insert (without thermostatic head) is factory-fit on the right side of the radiator, CEN certified, tested in accordance with EN215 and compatible with thermostatic heads M30 x 1,5 mm. The thermostatic valve insert is factory-set in relation to the size of the radiator. This presetting ensures optimum throughput in the radiator. Factory setting for two-pipe systems, also suitable for one-pipe systems (as long as the valve insert is adjusted to position 8). |
| Also supplied: | air vent and blind plugs |
| Connections: | 6 x 1/2" female connection (2 x 1/2" lateral bottom connection included) |
| Lugs: | no lugs |
| Packaging: | Every radiator is sturdily packaged in high-quality cardboard and wrapped in plastic. The radiator's characteristics are shown on the label: type – height – length. |
| Warranty: | 10 years, as long as the installation instructions have been followed and Stelrad's warranty conditions have been met. |
| Paint process: | All radiators are degreased, phosphated, primed and powder-coated in Stelrad white 9016 as standard. |
| Colours: | Stelrad white 9016 + 35 different Stelrad colours and about 200 RAL-colours are possible |
| Heat cost allocator: | Suitable for heat cost allocators, both electronic and according to the evaporation principle (covered by the norm of EN834 & EN835). |
| Max. operating pressure: | 10 bar (tested to 13 bar) |
| Max. operating temperature: | 110 °C |
| Conformity: | in accordance with EN442 |
| Types: | 22 33 44 |
| Height: | 200 mm |
| Lengths: | 1.000 – 2.600 mm |
| Depths: | 100 158 216 mm |



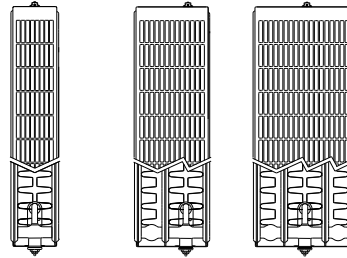
Type overview

Calculation factor
per meter
at 75/65/20°C
according to EN442



Characteristic equation:

$$\Phi = K_M \times \Delta T^n$$



| Height | | Type 22 | Type 33 | Type 44 | Centre distance |
|--------|----------------|---------|---------|---------|-----------------|
| 200 | W | 651 | 933 | 1.212 | 150 |
| | kg | 9,67 | 15,40 | 20,80 | |
| | l | 2,83 | 4,20 | 5,60 | |
| | m ² | 2,05 | 3,08 | 4,10 | |
| | n | 1,30 | 1,29 | 1,30 | |

W=heat output per meter / kg=weight per meter / l=content per meter / m²=surface per meter / n=exponent
The manufacturer reserves the right to alter any of the specifications shown in this document without prior notice.

Heat outputs according to EN442

On the label: Art. 0168 02 22 10
H200 T22-44: 0168 ——— | ——— | ——— |
H200 ——— | ——— | ——— |
T22 ——— | ——— | ——— |
L1000 ——— | ——— | ——— |

| | |
|-----------|------------|
| EN442 (W) | 70/50/20°C |
| EN442 (W) | 55/45/20°C |
| EN442 (W) | 75/65/20°C |

Stelrad BV/PL24/0020/E007

| Height | 200 | | | Height |
|--------|-------|-------|-------|--------|
| Type | 22 | 33 | 44 | Type |
| 1000 | 487 | 699 | 906 | 1000 |
| | 335 | 482 | 623 | |
| | 651 | 933 | 1.212 | |
| 1200 | 584 | 840 | 1.087 | 1200 |
| | 402 | 579 | 748 | |
| | 781 | 1.120 | 1.454 | |
| 1400 | 681 | 979 | 1.269 | 1400 |
| | 468 | 675 | 873 | |
| | 911 | 1.306 | 1.697 | |
| 1600 | 779 | 1.119 | 1.450 | 1600 |
| | 536 | 772 | 997 | |
| | 1.042 | 1.493 | 1.939 | |
| 1800 | 877 | 1.259 | 1.632 | 1800 |
| | 603 | 868 | 1.122 | |
| | 1.172 | 1.679 | 2.182 | |
| 2000 | 974 | 1.399 | 1.813 | 2000 |
| | 670 | 965 | 1.246 | |
| | 1.302 | 1.866 | 2.424 | |
| 2200 | 1.071 | 1.539 | 1.994 | 2200 |
| | 736 | 1.061 | 1.371 | |
| | 1.432 | 2.053 | 2.666 | |
| 2400 | 1.168 | 1.678 | 2.175 | 2400 |
| | 803 | 1.157 | 1.496 | |
| | 1.562 | 2.239 | 2.909 | |
| 2600 | 1.266 | 1.818 | 2.356 | 2600 |
| | 871 | 1.254 | 1.620 | |
| | 1.693 | 2.426 | 3.151 | |

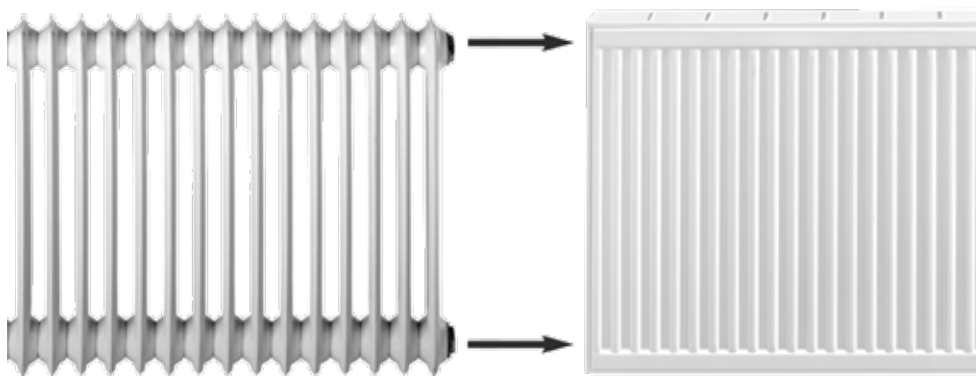


General information

RENO

A compact radiator with a very specific centre distance to replace old cast-iron and ribbed radiators while using the existing piping system.

| | |
|-----------------------------|---|
| Product: | the fully encased compact radiator specifically developed for the renovation market |
| Finishing: | upper grille and side panels |
| Also supplied: | installation instructions |
| Connections: | 4 x 1/2" female connection |
| Lugs: | 2 pairs of mounting lugs up to 1.600 mm and 3 pairs from 1.800 mm |
| Packaging: | Every radiator is sturdily packaged in high-quality cardboard and wrapped in plastic. The radiator's characteristics are shown on the label: type – height – length. |
| Warranty: | 10 years, as long as the installation instructions have been followed and Stelrad's warranty conditions have been met. |
| Paint process: | All radiators are degreased, phosphated, cathodically primed and powder-coated in Stelrad white 9016 as standard. |
| Colours: | Stelrad white 9016 + 35 different Stelrad colours and about 200 RAL-colours are possible |
| Heat cost allocator: | Suitable for heat cost allocators, both electronic and according to the evaporation principle (covered by the norm of EN834 & EN835). |
| Max. operating pressure: | 10 bar (tested to 13 bar) |
| Max. operating temperature: | 110 °C |
| Conformity: | in accordance with EN442 |
| Types: | 21 22 33 |
| Heights: | 550 950 mm |
| Lengths: | 400 – 3.000 mm |
| Depths: | 77 100 158 mm |

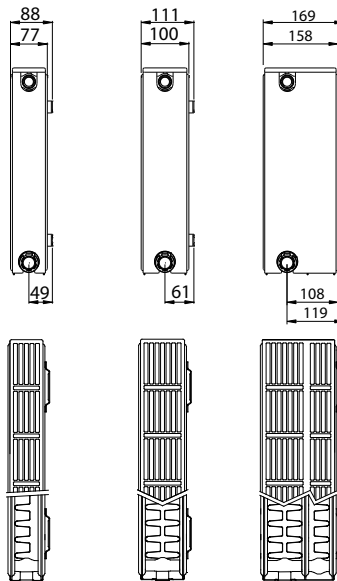


Type overview

Calculation factor
per meter
at 75/65/20°C
according to EN442

Characteristic equation:

$$\Phi = K_M \times \Delta T^n$$



| Height | | Type 21 | Type 22 | Type 33 | Centre distance |
|--------|----------------|---------|---------|---------|-----------------|
| 550 | W | 1.250 | 1.614 | 2.224 | 500 |
| | kg | 27,21 | 31,97 | 47,95 | |
| | l | 5,94 | 6,12 | 9,07 | |
| | m ² | 4,78 | 7,04 | 10,55 | |
| | n | 1,34 | 1,33 | 1,32 | |
| 950 | W | 1.906 | 2.406 | 3.427 | 900 |
| | kg | 45,00 | 53,50 | 78,00 | |
| | l | 10,10 | 10,05 | 15,30 | |
| | m ² | 8,52 | 12,68 | 19,02 | |
| | n | 1,33 | 1,34 | 1,34 | |

W=heat output per meter / kg=weight per meter / l=content per meter / m²=surface per meter / n=exponent
The manufacturer reserves the right to alter any of the specifications shown in this document without prior notice.

RENO

Heat outputs according to EN442



On the label: Art. 0219 0950 22 1000
 RENO T21-33: 0219 ┌ H950 ┌ T22 ┌ L1000 ┌

EN442 (W) 70/50/20°C

EN442 (W) 55/45/20°C

EN442 (W) 75/65/20°C

| Height | 550 | | |
|--------|-------|-------|-------|
| | 21 | 22 | 33 |
| 400 | 371 | 480 | 663 |
| | 253 | 327 | 453 |
| | 500 | 646 | 890 |
| 500 | 464 | 599 | 828 |
| | 316 | 408 | 566 |
| | 625 | 807 | 1.112 |
| 600 | 557 | 719 | 993 |
| | 379 | 490 | 679 |
| | 750 | 968 | 1.334 |
| 700 | 649 | 839 | 1.159 |
| | 442 | 572 | 793 |
| | 875 | 1.130 | 1.557 |
| 800 | 742 | 959 | 1.325 |
| | 505 | 653 | 906 |
| | 1.000 | 1.291 | 1.779 |
| 900 | 835 | 1.079 | 1.491 |
| | 568 | 735 | 1.019 |
| | 1.125 | 1.453 | 2.002 |
| 1000 | 928 | 1.199 | 1.656 |
| | 631 | 817 | 1.132 |
| | 1.250 | 1.614 | 2.224 |
| 1100 | 1.020 | 1.318 | 1.821 |
| | 695 | 898 | 1.245 |
| | 1.375 | 1.775 | 2.446 |
| 1200 | 1.113 | 1.439 | 1.987 |
| | 758 | 980 | 1.359 |
| | 1.500 | 1.937 | 2.669 |
| 1400 | 1.299 | 1.678 | 2.319 |
| | 884 | 1.144 | 1.585 |
| | 1.750 | 2.260 | 3.114 |
| 1600 | 1.484 | 1.918 | 2.649 |
| | 1.010 | 1.307 | 1.811 |
| | 2.000 | 2.582 | 3.558 |
| 1800 | 1.670 | 2.157 | 2.981 |
| | 1.137 | 1.470 | 2.038 |
| | 2.250 | 2.905 | 4.003 |
| 2000 | 1.855 | 2.397 | 3.312 |
| | 1.263 | 1.634 | 2.264 |
| | 2.500 | 3.228 | 4.448 |
| 2200 | 2.041 | 2.637 | 3.643 |
| | 1.389 | 1.797 | 2.491 |
| | 2.750 | 3.551 | 4.893 |
| 2400 | 2.226 | 2.877 | 3.975 |
| | 1.516 | 1.961 | 2.717 |
| | 3.000 | 3.874 | 5.338 |
| 2600 | | 3.116 | |
| | | 2.124 | |
| | | 4.196 | |
| 2800 | | 3.356 | |
| | | 2.287 | |
| | | 4.519 | |
| 3000 | | 3.596 | |
| | | 2.451 | |
| | | 4.842 | |

| 950 | | | Height | |
|------|-------|-------|--------|------|
| 21 | 22 | 33 | | |
| 400 | 567 | 714 | 1.016 | 400 |
| | 387 | 486 | 691 | |
| | 762 | 962 | 1.371 | |
| 500 | 709 | 893 | 1.270 | 500 |
| | 484 | 608 | 863 | |
| | 953 | 1.203 | 1.714 | |
| 600 | 851 | 1.072 | 1.524 | 600 |
| | 581 | 730 | 1.036 | |
| | 1.144 | 1.444 | 2.056 | |
| 700 | 992 | 1.250 | 1.778 | 700 |
| | 677 | 851 | 1.208 | |
| | 1.334 | 1.684 | 2.399 | |
| 800 | 1.134 | 1.429 | 2.032 | 800 |
| | 774 | 973 | 1.381 | |
| | 1.525 | 1.925 | 2.742 | |
| 900 | 1.275 | 1.607 | 2.286 | 900 |
| | 870 | 1.094 | 1.554 | |
| | 1.715 | 2.165 | 3.084 | |
| 1000 | 1.417 | 1.786 | 2.540 | 1000 |
| | 967 | 1.216 | 1.726 | |
| | 1.906 | 2.406 | 3.427 | |
| 1100 | 1.559 | 1.965 | 2.794 | 1100 |
| | 1.064 | 1.338 | 1.899 | |
| | 2.097 | 2.647 | 3.770 | |
| 1200 | 1.701 | 2.143 | 3.048 | 1200 |
| | 1.161 | 1.459 | 2.071 | |
| | 2.287 | 2.887 | 4.112 | |
| 1400 | 1.984 | 2.500 | 3.556 | 1400 |
| | 1.354 | 1.702 | 2.417 | |
| | 2.668 | 3.368 | 4.798 | |
| 1600 | 2.268 | 2.858 | 4.064 | 1600 |
| | 1.548 | 1.946 | 2.762 | |
| | 3.050 | 3.850 | 5.483 | |
| 1800 | 2.551 | 3.215 | 4.572 | 1800 |
| | 1.741 | 2.189 | 3.108 | |
| | 3.431 | 4.331 | 6.169 | |
| 2000 | 2.835 | 3.572 | 5.080 | 2000 |
| | 1.935 | 2.432 | 3.453 | |
| | 3.812 | 4.812 | 6.854 | |
| 2200 | | | | 2200 |
| | | | | |
| | | | | |
| 2400 | | | | 2400 |
| | | | | |
| | | | | |
| 2600 | | | | 2600 |
| | | | | |
| | | | | |
| 2800 | | | | 2800 |
| | | | | |
| | | | | |
| 3000 | | | | 3000 |
| | | | | |
| | | | | |

Core assortment (Stelrad white 9016) available ex factory within 10 days.
 Core assortment is subject to change, please refer to www.stelrad.eu for the latest information.
 Delivery time depends on the model, please refer to your distributor.

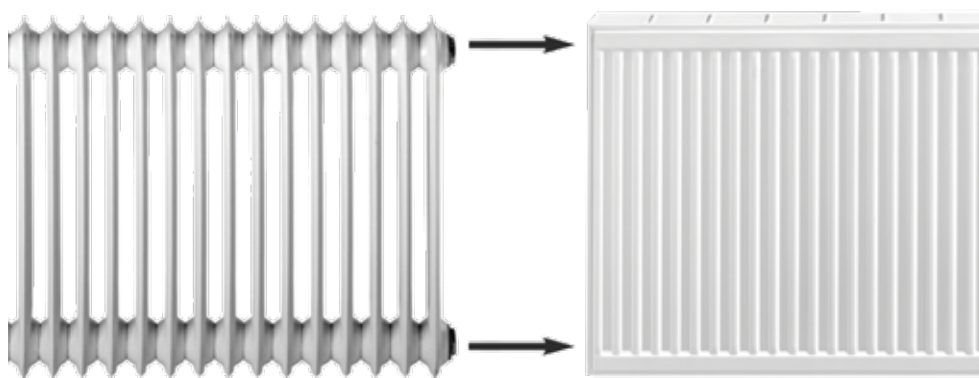
In W/m, estimated calculation

| DIN 4720 cast iron radiators | | | | | Renovation radiator: | | Reno | Reno Planar | | | |
|------------------------------|--------------------|----------|-----------------------------------|-------------|---|-----------|--------------------|------------------------------------|---------|-------------|---------|
| BH Height | NA Centre distance | BT Depth | Heat output according to DIN4703 | | | BH Height | NA Centre distance | Heat output according to W/m EN442 | | | |
| | | | Element BL 60 mm watt per element | | DIN cast iron 17 elements (L = 1020 mm) 70/55/20° C | | | 70/55/20° C | | 70/55/20° C | |
| | | | 90/70/20° C | 70/55/20° C | | | | Type | W/m | Type | W/m |
| 580 | 500 | 70 | 68 W | 43 W | 731 W | 550 | 500 | 21 | 996 W | 21 | 916 W |
| | | 110 | 92 W | 58 W | 986 W | | | 21 | 996 W | 22 | 1.219 W |
| | | 160 | 126 W | 81 W | 1.377 W | | | 22 | 1.287 W | 33 | 1.734 W |
| 980 | 900 | 220 | 162 W | 104 W | 1.768 W | 950 | 900 | 33 | 1.777 W | 33 | 1.734 W |
| | | 70 | 111 W | 71 W | 1.207 W | | | 21 | 1.522 W | 21 | 1.453 W |
| | | 160 | 204 W | 131 W | 2.227 W | | | 33 | 2.729 W | 33 | 2.612 W |
| | | 220 | 260 W | 166 W | 2.822 W | | | 33 | 2.729 W | 33 | 2.612 W |

| DIN 4722 steel radiators | | | | | Renovation radiator: | | Reno | Reno Planar | | | |
|--------------------------|--------------------|----------|-----------------------------------|-------------|-----------------------------------|-----------|--------------------|------------------------------------|---------|-------------|---------|
| BH Height | NA Centre distance | BT Depth | Heat output according to DIN4703 | | | BH Height | NA Centre distance | Heat output according to W/m EN442 | | | |
| | | | Element BL 50 mm watt per element | | DIN steel 20 elements 70/55/20° C | | | 70/55/20° C | | 70/55/20° C | |
| | | | 90/70/20° C | 70/55/20° C | | | | Type | W/m | Type | W/m |
| 600 | 500 | 110 | 73 W | 47 W | 940 W | 550 | 500 | 21 | 996 W | 22 | 1.219 W |
| | | 160 | 99 W | 63 W | 1.260 W | | | 22 | 1.287 W | 22 | 1.219 W |
| | | 220 | 128 W | 82 W | 1.640 W | | | 33 | 1.777 W | 33 | 1.734 W |
| 1000 | 900 | 110 | 122 W | 78 W | 1.560 W | 950 | 900 | 21 | 1.522 W | 21 | 1.453 W |
| | | 160 | 157 W | 100 W | 2.000 W | | | 22 | 1.918 W | 33 | 2.612 W |
| | | 220 | 204 W | 130 W | 2.600 W | | | 33 | 2.729 W | 33 | 2.612 W |

Example: Replacement of a DIN Steel radiator 20/500/160. System temperature 70/55° C,
Total heat output for 20 elements x 63 W = 1.260 W.

Selected: Renovation radiator Reno 22/550/1000 = 1.287 W



General information

GALVA

With an Accord All In radiator as a base and an extra protective galvanised coating for humid spaces underneath, the Galva radiator is the ideal panel radiator for your bathroom.

| | |
|-----------------------------|---|
| Product: | naked panel radiator with a protective galvanised coating |
| Finishing: | protective galvanised coating and without upper grille and side panels |
| Also supplied: | L-brackets, screws, plugs, blind plug, air vent and installation instructions |
| Connections: | 4 x ½" female connection |
| Lugs: | 2 pairs of mounting lugs |
| Packaging: | Every radiator is sturdily packaged in high-quality cardboard and wrapped in plastic. The radiator's characteristics are shown on the label: type – height – length. |
| Warranty: | 10 years, as long as the installation instructions have been followed and Stelrad's warranty conditions have been met. |
| Paint process: | All radiators are galvanised, degreased, phosphated, cathodically primed and powder-coated in Stelrad white 9016 as standard. |
| Colours: | Stelrad white 9016 + 35 different Stelrad colours and about 200 RAL-colours are possible |
| Heat cost allocator: | Suitable for heat cost allocators, both electronic and according to the evaporation principle (covered by the norm of EN834 & EN835). |
| Max. operating pressure: | 10 bar (tested to 13 bar) |
| Max. operating temperature: | 110 °C |
| Conformity: | in accordance with EN442 |
| Types: | 11 21 22 33 |
| Heights: | 400 500 600 700 900 mm |
| Lengths: | 400 – 1.600 mm |
| Depths: | 60 77 100 158 mm |

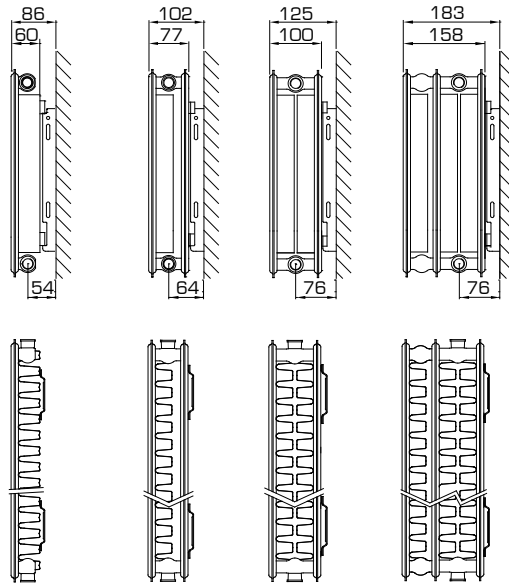


Type overview

Calculation factor
per meter
at 75/65/20°C
according to EN442

Characteristic equation:

$$\Phi = K_M \times \Delta T^n$$



| Height | | Type 11 | Type 21 | Type 22 | Type 33 | Centre distance |
|--------|----------------|---------|---------|---------|---------|-----------------|
| 400 | W | 687 | 1.000 | 1.281 | 1.805 | 350 |
| | kg | 11,68 | 18,78 | 21,83 | 32,67 | |
| | l | 2,34 | 4,67 | 4,67 | 6,87 | |
| | m ² | 2,95 | 3,37 | 4,92 | 7,38 | |
| | n | 1,31 | 1,33 | 1,33 | 1,33 | |
| 500 | W | 848 | 1.210 | 1.535 | 2.169 | 450 |
| | kg | 14,99 | 23,84 | 27,77 | 41,53 | |
| | l | 2,80 | 5,63 | 5,63 | 8,33 | |
| | m ² | 3,80 | 4,31 | 6,33 | 9,49 | |
| | n | 1,30 | 1,33 | 1,33 | 1,34 | |
| 600 | W | 1.000 | 1.409 | 1.778 | 2.514 | 550 |
| | kg | 18,30 | 28,90 | 33,70 | 50,40 | |
| | l | 3,25 | 6,60 | 6,60 | 9,80 | |
| | m ² | 4,66 | 5,24 | 7,74 | 11,61 | |
| | n | 1,29 | 1,33 | 1,33 | 1,35 | |
| 700 | W | 1.142 | 1.597 | 2.011 | 2.841 | 650 |
| | kg | 21,33 | 33,50 | 39,13 | 58,47 | |
| | l | 3,77 | 7,63 | 7,63 | 11,37 | |
| | m ² | 5,51 | 6,18 | 9,15 | 13,72 | |
| | n | 1,29 | 1,34 | 1,34 | 1,35 | |
| 900 | W | 1.397 | 1.941 | 2.453 | 3.448 | 850 |
| | kg | 27,40 | 42,70 | 50,00 | 74,60 | |
| | l | 4,80 | 9,70 | 9,70 | 14,50 | |
| | m ² | 7,22 | 8,05 | 11,97 | 17,96 | |
| | n | 1,29 | 1,36 | 1,35 | 1,37 | |

W=heat output per meter / kg=weight per meter / l=content per meter / m²=surface per meter / n=exponent
The manufacturer reserves the right to alter any of the specifications shown in this document without prior notice.

GALVA

Heat outputs according to EN442



EN442 (W) 70/50/20°C

EN442 (W) 55/45/20°C

EN442 (W) 75/65/20°C

Stelrad_BV/PL24/0020/EC007

| Height | 400 | | | |
|-------------|-------|-------|-------|-------|
| | 11 | 21 | 22 | 33 |
| 400 | 205 | 297 | 380 | 537 |
| | 141 | 203 | 259 | 367 |
| | 275 | 400 | 512 | 722 |
| 500 | 257 | 372 | 475 | 671 |
| | 177 | 254 | 324 | 458 |
| | 344 | 500 | 641 | 903 |
| 600 | 308 | 446 | 571 | 806 |
| | 211 | 304 | 389 | 550 |
| | 412 | 600 | 769 | 1.083 |
| 700 | 359 | 520 | 666 | 940 |
| | 247 | 355 | 454 | 642 |
| | 481 | 700 | 897 | 1.264 |
| 800 | 411 | 595 | 761 | 1.074 |
| | 282 | 406 | 519 | 733 |
| | 550 | 800 | 1.025 | 1.444 |
| 900 | 462 | 669 | 857 | 1.208 |
| | 317 | 457 | 584 | 825 |
| | 618 | 900 | 1.153 | 1.625 |
| 1000 | 513 | 743 | 952 | 1.343 |
| | 353 | 507 | 649 | 917 |
| | 687 | 1.000 | 1.281 | 1.805 |
| 1100 | 565 | 818 | 1.047 | 1.477 |
| | 388 | 558 | 713 | 1.009 |
| | 756 | 1.100 | 1.409 | 1.986 |
| 1200 | 616 | 892 | 1.142 | 1.611 |
| | 423 | 609 | 778 | 1.100 |
| | 824 | 1.200 | 1.537 | 2.166 |
| 1400 | 719 | 1.041 | 1.332 | 1.880 |
| | 494 | 710 | 908 | 1.284 |
| | 962 | 1.400 | 1.793 | 2.527 |
| 1600 | 821 | 1.190 | 1.523 | 2.148 |
| | 564 | 812 | 1.038 | 1.467 |
| | 1.099 | 1.600 | 2.050 | 2.888 |

| 500 | | | |
|-------|-------|-------|-------|
| 11 | 21 | 22 | 33 |
| 254 | 360 | 456 | 644 |
| 175 | 246 | 311 | 439 |
| 339 | 484 | 614 | 868 |
| 317 | 450 | 571 | 804 |
| 219 | 307 | 389 | 548 |
| 424 | 605 | 768 | 1.085 |
| 381 | 540 | 684 | 965 |
| 262 | 368 | 467 | 657 |
| 509 | 726 | 921 | 1.301 |
| 445 | 630 | 798 | 1.127 |
| 306 | 430 | 544 | 767 |
| 594 | 847 | 1.075 | 1.518 |
| 508 | 720 | 912 | 1.288 |
| 350 | 491 | 622 | 877 |
| 678 | 968 | 1.228 | 1.735 |
| 571 | 810 | 1.027 | 1.449 |
| 393 | 553 | 700 | 986 |
| 763 | 1.089 | 1.382 | 1.952 |
| 635 | 900 | 1.140 | 1.610 |
| 437 | 614 | 778 | 1.096 |
| 848 | 1.210 | 1.535 | 2.169 |
| 699 | 990 | 1.254 | 1.771 |
| 481 | 675 | 855 | 1.205 |
| 933 | 1.331 | 1.689 | 2.386 |
| 762 | 1.080 | 1.369 | 1.932 |
| 525 | 737 | 933 | 1.315 |
| 1.018 | 1.452 | 1.842 | 2.603 |
| 889 | 1.260 | 1.597 | 2.254 |
| 612 | 860 | 1.089 | 1.534 |
| 1.187 | 1.694 | 2.149 | 3.037 |
| 1.016 | 1.440 | 1.825 | 2.575 |
| 700 | 983 | 1.244 | 1.753 |
| 1.357 | 1.936 | 2.456 | 3.470 |

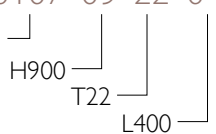
| 600 | | | |
|-------|-------|-------|-------|
| 11 | 21 | 22 | 33 |
| 300 | 419 | 528 | 745 |
| 207 | 286 | 360 | 505 |
| 400 | 564 | 711 | 1.006 |
| 375 | 524 | 661 | 931 |
| 259 | 357 | 451 | 632 |
| 500 | 705 | 889 | 1.257 |
| 450 | 628 | 793 | 1.116 |
| 311 | 429 | 541 | 758 |
| 600 | 845 | 1.067 | 1.508 |
| 525 | 733 | 925 | 1.303 |
| 363 | 501 | 631 | 884 |
| 700 | 986 | 1.245 | 1.760 |
| 600 | 838 | 1.057 | 1.489 |
| 414 | 572 | 721 | 1.010 |
| 800 | 1.127 | 1.422 | 2.011 |
| 675 | 943 | 1.189 | 1.675 |
| 466 | 644 | 811 | 1.137 |
| 900 | 1.268 | 1.600 | 2.263 |
| 750 | 1.048 | 1.321 | 1.861 |
| 518 | 715 | 901 | 1.263 |
| 1.000 | 1.409 | 1.778 | 2.514 |
| 825 | 1.153 | 1.454 | 2.047 |
| 570 | 787 | 991 | 1.389 |
| 1.100 | 1.550 | 1.956 | 2.765 |
| 900 | 1.258 | 1.586 | 2.234 |
| 621 | 858 | 1.081 | 1.516 |
| 1.200 | 1.691 | 2.134 | 3.017 |
| 1.050 | 1.467 | 1.850 | 2.606 |
| 725 | 1.002 | 1.261 | 1.769 |
| 1.400 | 1.973 | 2.489 | 3.520 |
| 1.200 | 1.676 | 2.114 | 2.978 |
| 829 | 1.144 | 1.442 | 2.021 |
| 1.600 | 2.254 | 2.845 | 4.022 |

Core assortment (Stelrad white 9016) available ex factory within 10 days.
 Core assortment is subject to change, please refer to www.stelrad.eu for the latest information.
 Delivery time depends on the model, please refer to your distributor.

GALVA

On the label:
4-CONNECTIONS NAKED GALVA T11-33: 0107

Art. 0107 09 22 04



| Height | 700 | | | |
|--------|-------|-------|-------|-------|
| | 11 | 21 | 22 | 33 |
| 400 | 343 | 474 | 597 | 840 |
| | 237 | 323 | 406 | 569 |
| | 457 | 639 | 804 | 1.136 |
| 500 | 428 | 592 | 747 | 1.050 |
| | 296 | 403 | 508 | 711 |
| | 571 | 799 | 1.006 | 1.421 |
| 600 | 514 | 711 | 896 | 1.260 |
| | 355 | 484 | 610 | 854 |
| | 685 | 958 | 1.207 | 1.705 |
| 700 | 599 | 830 | 1.045 | 1.470 |
| | 414 | 565 | 711 | 996 |
| | 799 | 1.118 | 1.408 | 1.989 |
| 800 | 686 | 948 | 1.194 | 1.680 |
| | 473 | 646 | 813 | 1.138 |
| | 914 | 1.278 | 1.609 | 2.273 |
| 900 | 771 | 1.066 | 1.343 | 1.890 |
| | 532 | 726 | 914 | 1.280 |
| | 1.028 | 1.437 | 1.810 | 2.557 |
| 1000 | 857 | 1.185 | 1.492 | 2.100 |
| | 591 | 807 | 1.016 | 1.422 |
| | 1.142 | 1.597 | 2.011 | 2.841 |
| 1100 | 942 | 1.304 | 1.641 | 2.310 |
| | 650 | 888 | 1.117 | 1.564 |
| | 1.256 | 1.757 | 2.212 | 3.125 |
| 1200 | 1.028 | 1.422 | 1.791 | 2.520 |
| | 709 | 968 | 1.219 | 1.707 |
| | 1.370 | 1.916 | 2.413 | 3.409 |
| 1400 | 1.199 | 1.659 | 2.089 | 2.940 |
| | 828 | 1.130 | 1.422 | 1.991 |
| | 1.599 | 2.236 | 2.815 | 3.977 |
| 1600 | 1.370 | 1.896 | 2.388 | 3.360 |
| | 946 | 1.291 | 1.626 | 2.276 |
| | 1.827 | 2.555 | 3.218 | 4.546 |

| 900 | | | |
|-------|-------|-------|-------|
| 11 | 21 | 22 | 33 |
| 419 | 573 | 726 | 1.016 |
| 289 | 388 | 492 | 685 |
| 559 | 776 | 981 | 1.379 |
| 523 | 717 | 907 | 1.270 |
| 361 | 485 | 615 | 857 |
| 699 | 971 | 1.227 | 1.724 |
| 628 | 861 | 1.089 | 1.524 |
| 433 | 583 | 739 | 1.028 |
| 838 | 1.165 | 1.472 | 2.069 |
| 733 | 1.004 | 1.271 | 1.779 |
| 506 | 680 | 862 | 1.200 |
| 978 | 1.359 | 1.717 | 2.414 |
| 838 | 1.148 | 1.452 | 2.032 |
| 578 | 777 | 985 | 1.371 |
| 1.118 | 1.553 | 1.962 | 2.758 |
| 942 | 1.291 | 1.634 | 2.286 |
| 650 | 874 | 1.108 | 1.542 |
| 1.257 | 1.747 | 2.208 | 3.103 |
| 1.047 | 1.434 | 1.815 | 2.540 |
| 723 | 971 | 1.231 | 1.713 |
| 1.397 | 1.941 | 2.453 | 3.448 |
| 1.152 | 1.578 | 1.997 | 2.795 |
| 795 | 1.068 | 1.354 | 1.885 |
| 1.537 | 2.135 | 2.698 | 3.793 |
| 1.257 | 1.721 | 2.179 | 3.049 |
| 867 | 1.165 | 1.478 | 2.056 |
| 1.676 | 2.329 | 2.944 | 4.138 |
| 1.467 | 2.008 | 2.541 | 3.556 |
| 1.012 | 1.359 | 1.724 | 2.399 |
| 1.956 | 2.717 | 3.434 | 4.827 |
| 1.676 | 2.295 | 2.904 | 4.065 |
| 1.156 | 1.554 | 1.970 | 2.742 |
| 2.235 | 3.106 | 3.925 | 5.517 |

General information

HYGIENE GALVA

With a Hygiene radiator as a base and an extra protective galvanised coating for humid spaces underneath, the Hygiene Galva radiator is the ideal panel radiator for your bathroom.

| | |
|-----------------------------|---|
| Product: | naked panel radiator without convection fins and with a protective galvanised coating |
| Finishing: | protective galvanised coating and without upper grille and side panels |
| Also supplied: | VDI brackets with anti-lift (type Monclac), screws, plugs, blind plug, air vent and installation instructions |
| Connections: | 4 x ½" female connection |
| Lugs: | 2 pairs of mounting lugs |
| Packaging: | Every radiator is sturdily packaged in high-quality cardboard and wrapped in plastic. The radiator's characteristics are shown on the label: type – height – length. |
| Warranty: | 10 years, as long as the installation instructions have been followed and Stelrad's warranty conditions have been met. |
| Paint process: | All radiators are galvanised, degreased, phosphated, cataphoretically primed and powder-coated in Stelrad white 9016 as standard. |
| Colours: | Stelrad white 9016 + 35 different Stelrad colours and about 200 RAL-colours are possible |
| Heat cost allocator: | Suitable for heat cost allocators, both electronic and according to the evaporation principle (covered by the norm of EN834 & EN835). |
| Max. operating pressure: | 10 bar (tested to 13 bar) |
| Max. operating temperature: | 110 °C |
| Conformity: | in accordance with EN442 |
| Types: | 10 20 30 |
| Heights: | 400 500 600 700 900 mm |
| Lengths: | 400 – 1.600 mm |
| Depths: | 47 77 158 mm |

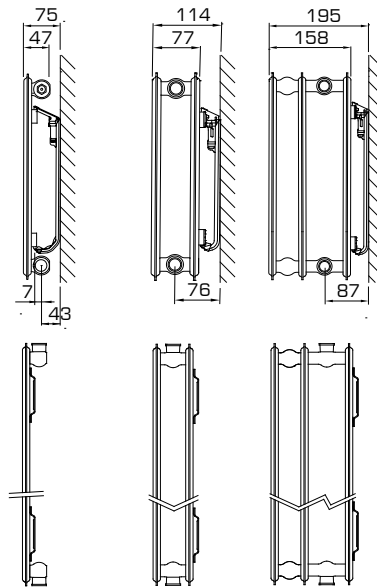


Type overview

Calculation factor
per meter
at 75/65/20°C
according to EN442

Characteristic equation:

$$\Phi = K_M \times \Delta T^n$$



| Height | | Type 10 | Type 20 | Type 30 | Centre distance |
|--------|----------------|---------|---------|---------|-----------------|
| 400 | W | 430 | 730 | 1.073 | 350 |
| | kg | 8,22 | 15,86 | 23,37 | |
| | l | 2,34 | 4,67 | 6,57 | |
| | m ² | 0,91 | 1,83 | 2,73 | |
| | n | 1,29 | 1,33 | 1,30 | |
| 500 | W | 521 | 883 | 1.277 | 450 |
| | kg | 10,28 | 20,08 | 28,83 | |
| | l | 2,80 | 5,63 | 7,93 | |
| | m ² | 1,14 | 2,28 | 3,42 | |
| | n | 1,30 | 1,32 | 1,31 | |
| 600 | W | 610 | 1.031 | 1.474 | 550 |
| | kg | 12,33 | 24,30 | 34,30 | |
| | l | 3,25 | 6,60 | 9,30 | |
| | m ² | 1,37 | 2,74 | 4,11 | |
| | n | 1,31 | 1,32 | 1,31 | |
| 700 | W | 699 | 1.174 | 1.666 | 650 |
| | kg | 14,19 | 28,00 | 40,07 | |
| | l | 3,77 | 7,63 | 10,67 | |
| | m ² | 1,60 | 3,20 | 4,79 | |
| | n | 1,32 | 1,32 | 1,32 | |
| 900 | W | 877 | 1.449 | 2.039 | 850 |
| | kg | 17,90 | 35,40 | 51,60 | |
| | l | 4,80 | 9,70 | 13,40 | |
| | m ² | 2,06 | 4,12 | 6,17 | |
| | n | 1,33 | 1,33 | 1,33 | |

W=heat output per meter / kg=weight per meter / l=content per meter / m²=surface per meter / n=exponent
The manufacturer reserves the right to alter any of the specifications shown in this document without prior notice.

HYGIENE GALVA

Heat outputs according to EN442



EN442 (W) 70/50/20°C

EN442 (W) 55/45/20°C

EN442 (W) 75/65/20°C

Stelrad BV/PL24/0020/EC007

| Height | 400 | | |
|-------------|-----|-------|-------|
| | 10 | 20 | 30 |
| 400 | 129 | 217 | 321 |
| | 89 | 148 | 221 |
| | 172 | 292 | 429 |
| 500 | 161 | 271 | 401 |
| | 111 | 185 | 276 |
| | 215 | 365 | 537 |
| 600 | 193 | 326 | 482 |
| | 133 | 222 | 331 |
| | 258 | 438 | 644 |
| 700 | 226 | 380 | 562 |
| | 155 | 259 | 386 |
| | 301 | 511 | 751 |
| 800 | 258 | 434 | 642 |
| | 178 | 296 | 441 |
| | 344 | 584 | 858 |
| 900 | 290 | 488 | 722 |
| | 200 | 333 | 497 |
| | 387 | 657 | 966 |
| 1000 | 322 | 543 | 802 |
| | 222 | 370 | 552 |
| | 430 | 730 | 1.073 |
| 1100 | 354 | 597 | 882 |
| | 244 | 407 | 607 |
| | 473 | 803 | 1.180 |
| 1200 | 387 | 651 | 963 |
| | 267 | 444 | 662 |
| | 516 | 876 | 1.288 |
| 1400 | 451 | 760 | 1.123 |
| | 311 | 518 | 772 |
| | 602 | 1.022 | 1.502 |
| 1600 | 516 | 868 | 1.284 |
| | 355 | 592 | 883 |
| | 688 | 1.168 | 1.717 |

| 500 | | |
|-----|-------|-------|
| 10 | 20 | 30 |
| 155 | 263 | 382 |
| 107 | 180 | 262 |
| 208 | 353 | 511 |
| 194 | 329 | 477 |
| 134 | 225 | 327 |
| 261 | 442 | 639 |
| 234 | 395 | 572 |
| 161 | 270 | 393 |
| 313 | 530 | 766 |
| 273 | 460 | 668 |
| 188 | 314 | 459 |
| 365 | 618 | 894 |
| 312 | 526 | 764 |
| 214 | 359 | 524 |
| 417 | 706 | 1.022 |
| 351 | 592 | 859 |
| 241 | 404 | 590 |
| 469 | 795 | 1.149 |
| 389 | 657 | 954 |
| 268 | 449 | 655 |
| 521 | 883 | 1.277 |
| 428 | 723 | 1.050 |
| 294 | 494 | 721 |
| 573 | 971 | 1.405 |
| 467 | 789 | 1.145 |
| 321 | 539 | 786 |
| 625 | 1.060 | 1.532 |
| 545 | 920 | 1.336 |
| 375 | 629 | 918 |
| 729 | 1.236 | 1.788 |
| 623 | 1.052 | 1.527 |
| 428 | 719 | 1.048 |
| 834 | 1.413 | 2.043 |

| 600 | | |
|-----|-------|-------|
| 10 | 20 | 30 |
| 182 | 307 | 441 |
| 125 | 210 | 302 |
| 244 | 412 | 590 |
| 227 | 385 | 550 |
| 156 | 263 | 378 |
| 305 | 516 | 737 |
| 273 | 461 | 660 |
| 187 | 316 | 453 |
| 366 | 619 | 884 |
| 318 | 538 | 771 |
| 218 | 369 | 529 |
| 427 | 722 | 1.032 |
| 364 | 615 | 880 |
| 249 | 421 | 604 |
| 488 | 825 | 1.179 |
| 409 | 692 | 991 |
| 281 | 474 | 680 |
| 549 | 928 | 1.327 |
| 455 | 769 | 1.101 |
| 312 | 526 | 755 |
| 610 | 1.031 | 1.474 |
| 500 | 845 | 1.210 |
| 343 | 579 | 830 |
| 671 | 1.134 | 1.621 |
| 546 | 922 | 1.321 |
| 374 | 631 | 906 |
| 732 | 1.237 | 1.769 |
| 637 | 1.076 | 1.541 |
| 436 | 737 | 1.057 |
| 854 | 1.443 | 2.064 |
| 728 | 1.230 | 1.761 |
| 499 | 842 | 1.208 |
| 976 | 1.650 | 2.358 |

Core assortment (Stelrad white 9016) available ex factory within 10 days.
 Core assortment is subject to change, please refer to www.stelrad.eu for the latest information.
 Delivery time depends on the model, please refer to your distributor.

HYGIENE GALVA

On the label: Art. 0108 09 20 04
 4-CONNECTIONS NAKED HYGIENE GALVA T10-30: 0108 —┐
 H900 —┐
 T20 —┐
 L400 —┘

| Height | 700 | | |
|-------------|-------|-------|-------|
| | 10 | 20 | 30 |
| 400 | 209 | 350 | 497 |
| | 143 | 239 | 340 |
| | 280 | 470 | 666 |
| 500 | 261 | 437 | 621 |
| | 178 | 299 | 425 |
| | 350 | 587 | 833 |
| 600 | 312 | 524 | 746 |
| | 214 | 359 | 511 |
| | 419 | 704 | 1.000 |
| 700 | 364 | 612 | 869 |
| | 249 | 419 | 595 |
| | 489 | 822 | 1.166 |
| 800 | 416 | 699 | 994 |
| | 285 | 478 | 681 |
| | 559 | 939 | 1.333 |
| 900 | 469 | 787 | 1.118 |
| | 321 | 539 | 765 |
| | 629 | 1.057 | 1.499 |
| 1000 | 521 | 874 | 1.242 |
| | 356 | 598 | 851 |
| | 699 | 1.174 | 1.666 |
| 1100 | 573 | 962 | 1.367 |
| | 392 | 658 | 936 |
| | 769 | 1.291 | 1.833 |
| 1200 | 625 | 1.049 | 1.490 |
| | 428 | 718 | 1.021 |
| | 839 | 1.409 | 1.999 |
| 1400 | 729 | 1.225 | 1.739 |
| | 499 | 838 | 1.191 |
| | 979 | 1.644 | 2.332 |
| 1600 | 833 | 1.399 | 1.988 |
| | 570 | 957 | 1.361 |
| | 1.118 | 1.878 | 2.666 |

| 900 | | |
|-------|-------|-------|
| 10 | 20 | 30 |
| 261 | 431 | 607 |
| 178 | 294 | 414 |
| 351 | 580 | 816 |
| 325 | 538 | 758 |
| 222 | 368 | 517 |
| 439 | 725 | 1.020 |
| 391 | 646 | 909 |
| 267 | 441 | 620 |
| 526 | 869 | 1.223 |
| 456 | 754 | 1.061 |
| 311 | 515 | 724 |
| 614 | 1.014 | 1.427 |
| 522 | 862 | 1.212 |
| 356 | 588 | 827 |
| 702 | 1.159 | 1.631 |
| 586 | 970 | 1.364 |
| 400 | 662 | 931 |
| 789 | 1.304 | 1.835 |
| 652 | 1.078 | 1.516 |
| 444 | 736 | 1.034 |
| 877 | 1.449 | 2.039 |
| 717 | 1.185 | 1.667 |
| 489 | 809 | 1.138 |
| 965 | 1.594 | 2.243 |
| 782 | 1.293 | 1.819 |
| 533 | 883 | 1.241 |
| 1.052 | 1.739 | 2.447 |
| 913 | 1.509 | 2.122 |
| 622 | 1.030 | 1.448 |
| 1.228 | 2.029 | 2.855 |
| 1.043 | 1.724 | 2.425 |
| 711 | 1.177 | 1.655 |
| 1.403 | 2.318 | 3.262 |

General information

HYGIENE

The Hygiene radiator is a panel radiator without convection fins, upper grille or side panels, made from high-quality steel. A classic icon.

| | |
|-----------------------------|--|
| Product: | a classic panel radiator without convection fins |
| Finishing: | without convection fins, upper grille or side panels |
| Also supplied: | VDI brackets with anti-lift (type Monclac), screws, plugs, blind plug, air vent and installation instructions |
| Connections: | 4 x ½" female connection |
| Lugs: | 2 pairs of mounting lugs |
| Packaging: | Every radiator is sturdily packaged in high-quality cardboard and wrapped in plastic. The radiator's characteristics are shown on the label: type – height – length. |
| Warranty: | 10 years, as long as the installation instructions have been followed and Stelrad's warranty conditions have been met. |
| Paint process: | All radiators are degreased, phosphated, cathodically primed and powder-coated in Stelrad white 9016 as standard. |
| Colours: | Stelrad white 9016 + 35 different Stelrad colours and about 200 RAL-colours are possible |
| Heat cost allocator: | Suitable for heat cost allocators, both electronic and according to the evaporation principle (covered by the norm of EN834 & EN835). |
| Max. operating pressure: | 10 bar (tested to 13 bar) |
| Max. operating temperature: | 110 °C |
| Conformity: | in accordance with EN442 |
| Types: | 10 20 30 |
| Heights: | 400 500 600 700 900 mm |
| Lengths: | 400 – 1.600 mm |
| Depths: | 47 77 158 mm |

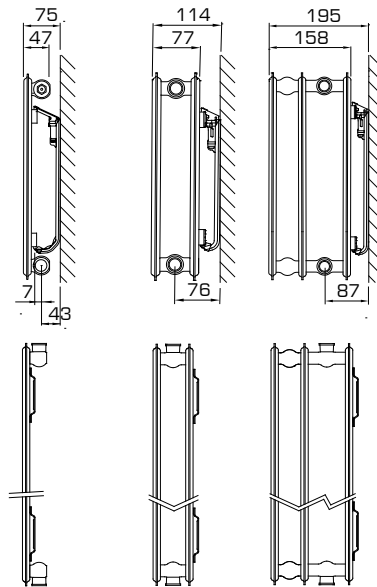


Type overview

Calculation factor
per meter
at 75/65/20°C
according to EN442

Characteristic equation:

$$\dot{\Phi} = K_M \times \Delta T^n$$



| Height | | Type 10 | Type 20 | Type 30 | Centre distance |
|--------|----------------|---------|---------|---------|-----------------|
| 400 | W | 430 | 730 | 1.073 | 350 |
| | kg | 8,22 | 15,86 | 23,37 | |
| | l | 2,34 | 4,67 | 6,57 | |
| | m ² | 0,91 | 1,83 | 2,73 | |
| | n | 1,29 | 1,33 | 1,30 | |
| 500 | W | 521 | 883 | 1.277 | 450 |
| | kg | 10,28 | 20,08 | 28,83 | |
| | l | 2,80 | 5,63 | 7,93 | |
| | m ² | 1,14 | 2,28 | 3,42 | |
| | n | 1,30 | 1,32 | 1,31 | |
| 600 | W | 610 | 1.031 | 1.474 | 550 |
| | kg | 12,33 | 24,30 | 34,30 | |
| | l | 3,25 | 6,60 | 9,30 | |
| | m ² | 1,37 | 2,74 | 4,11 | |
| | n | 1,31 | 1,32 | 1,31 | |
| 700 | W | 699 | 1.174 | 1.666 | 650 |
| | kg | 14,19 | 28,00 | 40,07 | |
| | l | 3,77 | 7,63 | 10,67 | |
| | m ² | 1,60 | 3,20 | 4,79 | |
| | n | 1,32 | 1,32 | 1,32 | |
| 900 | W | 877 | 1.449 | 2.039 | 850 |
| | kg | 17,90 | 35,40 | 51,60 | |
| | l | 4,80 | 9,70 | 13,40 | |
| | m ² | 2,06 | 4,12 | 6,17 | |
| | n | 1,33 | 1,33 | 1,33 | |

W=heat output per meter / kg=weight per meter / l=content per meter / m²=surface per meter / n=exponent
The manufacturer reserves the right to alter any of the specifications shown in this document without prior notice.

HYGIENE

Heat outputs according to EN442



EN442 (W) 70/50/20°C

EN442 (W) 55/45/20°C

EN442 (W) 75/65/20°C

Stelrad BV/PL24/0020/EC007

| Height | 400 | | |
|-------------|-----|-------|-------|
| | 10 | 20 | 30 |
| 400 | 129 | 217 | 321 |
| | 89 | 148 | 221 |
| | 172 | 292 | 429 |
| 500 | 161 | 271 | 401 |
| | 111 | 185 | 276 |
| | 215 | 365 | 537 |
| 600 | 193 | 326 | 482 |
| | 133 | 222 | 331 |
| | 258 | 438 | 644 |
| 700 | 226 | 380 | 562 |
| | 155 | 259 | 386 |
| | 301 | 511 | 751 |
| 800 | 258 | 434 | 642 |
| | 178 | 296 | 441 |
| | 344 | 584 | 858 |
| 900 | 290 | 488 | 722 |
| | 200 | 333 | 497 |
| | 387 | 657 | 966 |
| 1000 | 322 | 543 | 802 |
| | 222 | 370 | 552 |
| | 430 | 730 | 1.073 |
| 1100 | 354 | 597 | 882 |
| | 244 | 407 | 607 |
| | 473 | 803 | 1.180 |
| 1200 | 387 | 651 | 963 |
| | 267 | 444 | 662 |
| | 516 | 876 | 1.288 |
| 1400 | 451 | 760 | 1.123 |
| | 311 | 518 | 772 |
| | 602 | 1.022 | 1.502 |
| 1600 | 516 | 868 | 1.284 |
| | 355 | 592 | 883 |
| | 688 | 1.168 | 1.717 |

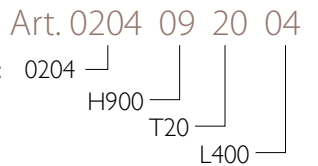
| 500 | | |
|-----|-------|-------|
| 10 | 20 | 30 |
| 155 | 263 | 382 |
| 107 | 180 | 262 |
| 208 | 353 | 511 |
| 194 | 329 | 477 |
| 134 | 225 | 327 |
| 261 | 442 | 639 |
| 234 | 395 | 572 |
| 161 | 270 | 393 |
| 313 | 530 | 766 |
| 273 | 460 | 668 |
| 188 | 314 | 459 |
| 365 | 618 | 894 |
| 312 | 526 | 764 |
| 214 | 359 | 524 |
| 417 | 706 | 1.022 |
| 351 | 592 | 859 |
| 241 | 404 | 590 |
| 469 | 795 | 1.149 |
| 389 | 657 | 954 |
| 268 | 449 | 655 |
| 521 | 883 | 1.277 |
| 428 | 723 | 1.050 |
| 294 | 494 | 721 |
| 573 | 971 | 1.405 |
| 467 | 789 | 1.145 |
| 321 | 539 | 786 |
| 625 | 1.060 | 1.532 |
| 545 | 920 | 1.336 |
| 375 | 629 | 918 |
| 729 | 1.236 | 1.788 |
| 623 | 1.052 | 1.527 |
| 428 | 719 | 1.048 |
| 834 | 1.413 | 2.043 |

| 600 | | |
|-----|-------|-------|
| 10 | 20 | 30 |
| 182 | 307 | 441 |
| 125 | 210 | 302 |
| 244 | 412 | 590 |
| 227 | 385 | 550 |
| 156 | 263 | 378 |
| 305 | 516 | 737 |
| 273 | 461 | 660 |
| 187 | 316 | 453 |
| 366 | 619 | 884 |
| 318 | 538 | 771 |
| 218 | 369 | 529 |
| 427 | 722 | 1.032 |
| 364 | 615 | 880 |
| 249 | 421 | 604 |
| 488 | 825 | 1.179 |
| 409 | 692 | 991 |
| 281 | 474 | 680 |
| 549 | 928 | 1.327 |
| 455 | 769 | 1.101 |
| 312 | 526 | 755 |
| 610 | 1.031 | 1.474 |
| 500 | 845 | 1.210 |
| 343 | 579 | 830 |
| 671 | 1.134 | 1.621 |
| 546 | 922 | 1.321 |
| 374 | 631 | 906 |
| 732 | 1.237 | 1.769 |
| 637 | 1.076 | 1.541 |
| 436 | 737 | 1.057 |
| 854 | 1.443 | 2.064 |
| 728 | 1.230 | 1.761 |
| 499 | 842 | 1.208 |
| 976 | 1.650 | 2.358 |

Core assortment (Stelrad white 9016) available ex factory within 10 days.
 Core assortment is subject to change, please refer to www.stelrad.eu for the latest information.
 Delivery time depends on the model, please refer to your distributor.

HYGIENE

On the label:
 4-CONNECTIONS NAKED HYGIENE T10-30: 0204



Art. 0204 09 20 04

| Height | 700 | | |
|--------|-------|-------|-------|
| | 10 | 20 | 30 |
| 400 | 209 | 350 | 497 |
| | 143 | 239 | 340 |
| | 280 | 470 | 666 |
| 500 | 261 | 437 | 621 |
| | 178 | 299 | 425 |
| | 350 | 587 | 833 |
| 600 | 312 | 524 | 746 |
| | 214 | 359 | 511 |
| | 419 | 704 | 1.000 |
| 700 | 364 | 612 | 869 |
| | 249 | 419 | 595 |
| | 489 | 822 | 1.166 |
| 800 | 416 | 699 | 994 |
| | 285 | 478 | 681 |
| | 559 | 939 | 1.333 |
| 900 | 469 | 787 | 1.118 |
| | 321 | 539 | 765 |
| | 629 | 1.057 | 1.499 |
| 1000 | 521 | 874 | 1.242 |
| | 356 | 598 | 851 |
| | 699 | 1.174 | 1.666 |
| 1100 | 573 | 962 | 1.367 |
| | 392 | 658 | 936 |
| | 769 | 1.291 | 1.833 |
| 1200 | 625 | 1.049 | 1.490 |
| | 428 | 718 | 1.021 |
| | 839 | 1.409 | 1.999 |
| 1400 | 729 | 1.225 | 1.739 |
| | 499 | 838 | 1.191 |
| | 979 | 1.644 | 2.332 |
| 1600 | 833 | 1.399 | 1.988 |
| | 570 | 957 | 1.361 |
| | 1.118 | 1.878 | 2.666 |

| Height | 900 | | |
|--------|-------|-------|-------|
| | 10 | 20 | 30 |
| 400 | 261 | 431 | 607 |
| | 178 | 294 | 414 |
| | 351 | 580 | 816 |
| 500 | 325 | 538 | 758 |
| | 222 | 368 | 517 |
| | 439 | 725 | 1.020 |
| 600 | 391 | 646 | 909 |
| | 267 | 441 | 620 |
| | 526 | 869 | 1.223 |
| 700 | 456 | 754 | 1.061 |
| | 311 | 515 | 724 |
| | 614 | 1.014 | 1.427 |
| 800 | 522 | 862 | 1.212 |
| | 356 | 588 | 827 |
| | 702 | 1.159 | 1.631 |
| 900 | 586 | 970 | 1.364 |
| | 400 | 662 | 931 |
| | 789 | 1.304 | 1.835 |
| 1000 | 652 | 1.078 | 1.516 |
| | 444 | 736 | 1.034 |
| | 877 | 1.449 | 2.039 |
| 1100 | 717 | 1.185 | 1.667 |
| | 489 | 809 | 1.138 |
| | 965 | 1.594 | 2.243 |
| 1200 | 782 | 1.293 | 1.819 |
| | 533 | 883 | 1.241 |
| | 1.052 | 1.739 | 2.447 |
| 1400 | 913 | 1.509 | 2.122 |
| | 622 | 1.030 | 1.448 |
| | 1.228 | 2.029 | 2.855 |
| 1600 | 1.043 | 1.724 | 2.425 |
| | 711 | 1.177 | 1.655 |
| | 1.403 | 2.318 | 3.262 |

General information

VERTICAL GALVA

Without sacrificing any heat output the vertical design of the Vertical Galva saves space. In addition, this radiator is treated with a protective galvanised coating, so it can be used without any concerns in wet areas.

| | |
|-----------------------------|--|
| Product: | vertical panel radiator with a centre connection and a protective galvanised coating |
| Finishing: | protective galvanised coating and side panels (only for types 11, 20, 21 and 22) |
| Also supplied: | wall brackets, ETA safety screws and plugs, screws, plugs, air vent, blind plugs and installation instructions |
| Connections: | 4 x ½" female connection (centre connection included). Types 20, 21 and 22 can be reversed (front/back), in which case inlet and outlet are also reversed. |
| Lugs: | no lugs |
| Packaging: | Every radiator is sturdily packaged in high-quality cardboard and wrapped in plastic. The radiator's characteristics are shown on the label: type – height – length. |
| Warranty: | 10 years, as long as the installation instructions have been followed and Stelrad's warranty conditions have been met. |
| Paint process: | All radiators are galvanised, degreased, phosphated, cathodically primed and powder-coated in Stelrad white 9016 as standard. |
| Colours: | Stelrad white 9016 + 35 different Stelrad colours and about 200 RAL-colours are possible |
| Heat cost allocator: | Suitable for heat cost allocators, both electronic and according to the evaporation principle (covered by the norm of EN834 & EN835). |
| Max. operating pressure: | 10 bar (tested to 13 bar) |
| Max. operating temperature: | 110 °C |
| Conformity: | in accordance with EN442 |
| Types: | 10 11 20 21 22 |
| Heights: | 1.600 1.800 2.000 2.200 mm |
| Lengths: | 300 400 500 600 700 mm |
| Depths: | 47 47 77 77 100 mm |

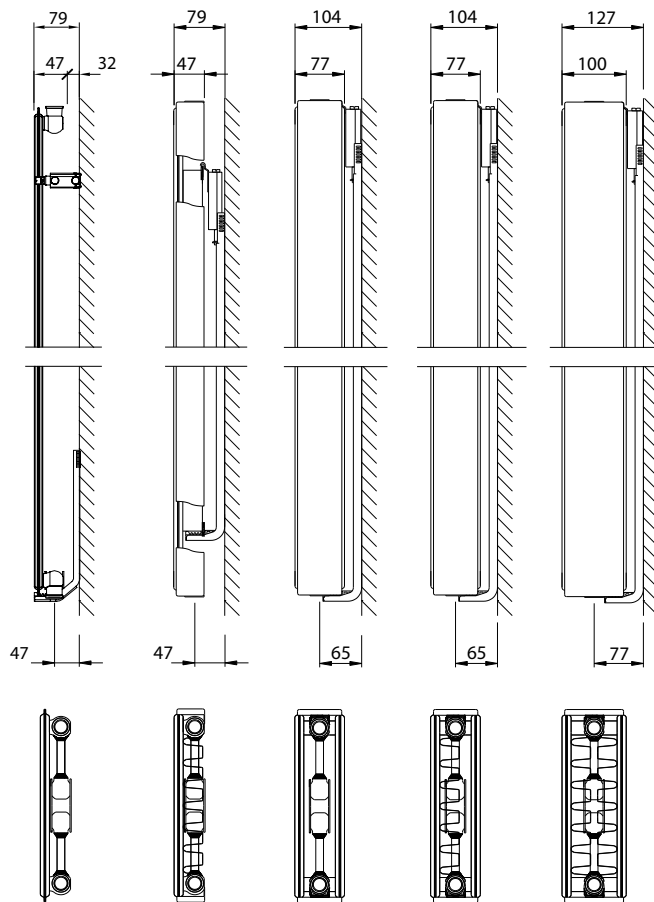


Type overview

Calculation factor
per meter
at 75/65/20°C
according to EN442

Characteristic equation:

$$\Phi = K_M \times \Delta T^n$$



| Height | | Type 10 | Type 11 | Type 20 | Type 21 | Type 22 | Height |
|--------|----------------|---------|---------|---------|---------|---------|--------|
| 1600 | W | 1.677 | 2.157 | 2.592 | 3.030 | 3.600 | 1600 |
| | kg | 30,90 | 42,90 | 63,30 | 71,70 | 80,70 | |
| | l | 7,20 | 7,20 | 14,40 | 14,10 | 14,10 | |
| | m ² | 3,67 | 9,40 | 7,33 | 12,66 | 17,98 | |
| | n | 1,27 | 1,34 | 1,32 | 1,32 | 1,32 | |
| 1800 | W | 1.863 | 2.379 | 2.865 | 3.330 | 3.960 | 1800 |
| | kg | 34,50 | 48,30 | 71,10 | 80,10 | 88,80 | |
| | l | 8,40 | 8,40 | 16,20 | 16,50 | 16,20 | |
| | m ² | 4,13 | 9,86 | 8,25 | 13,58 | 18,90 | |
| | n | 1,29 | 1,33 | 1,31 | 1,33 | 1,32 | |
| 2000 | W | 2.058 | 2.595 | 3.120 | 3.600 | 4.290 | 2000 |
| | kg | 38,10 | 53,70 | 78,60 | 89,10 | 96,60 | |
| | l | 9,30 | 9,30 | 18,00 | 18,60 | 18,00 | |
| | m ² | 4,59 | 11,80 | 9,17 | 15,88 | 22,58 | |
| | n | 1,30 | 1,33 | 1,31 | 1,33 | 1,32 | |
| 2200 | W | 2.265 | 2.802 | 3.390 | 3.870 | 4.620 | 2200 |
| | kg | 42,00 | 57,90 | 87,60 | 98,40 | 108,90 | |
| | l | 10,20 | 10,20 | 20,10 | 20,10 | 20,10 | |
| | m ² | 5,04 | 12,26 | 10,09 | 16,79 | 23,50 | |
| | n | 1,32 | 1,32 | 1,30 | 1,33 | 1,32 | |

W=heat output per meter / kg=weight per meter / l=content per meter / m²=surface per meter / n=exponent
The manufacturer reserves the right to alter any of the specifications shown in this document without prior notice.

VERTICAL GALVA

Heat outputs according to EN442

EN442 (W) 70/50/20°C

EN442 (W) 55/45/20°C

EN442 (W) 75/65/20°C



On the label:
VERTICAL GALVA T10-22: 0674 Art. 0674 18 22 04
H1800 T22 L400

Stelrad BV/PL24/0020/E007

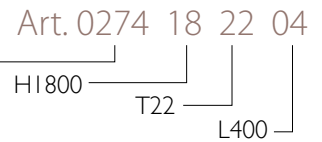
| Height | 1600 | | | | | 1800 | | | | | 2000 | | | | | 2200 | | | | | Height |
|------------|---------------------|-----------------------|-----------------------|-------------------------|-------------------------|---------------------|-----------------------|-------------------------|-------------------------|-------------------------|-----------------------|-----------------------|-------------------------|-------------------------|-------------------------|-----------------------|-----------------------|-------------------------|-------------------------|-------------------------|------------|
| Type | 10 | 11 | 20 | 21 | 22 | 10 | 11 | 20 | 21 | 22 | 10 | 11 | 20 | 21 | 22 | 10 | 11 | 20 | 21 | 22 | Type |
| 300 | 378 262 503 | 480 327 647 | 579 396 778 | 677 462 909 | 804 550 1.080 | 419 289 559 | 530 362 714 | 642 440 860 | 743 507 999 | 885 605 1.188 | 461 317 617 | 578 395 779 | 699 480 936 | 803 548 1.080 | 959 656 1.287 | 507 347 680 | 626 428 841 | 761 524 1.017 | 862 588 1.161 | 1.033 707 1.386 | 300 |
| 400 | 505 350 671 | 641 436 863 | 772 528 1.037 | 902 616 1.212 | 1.072 733 1.440 | 559 386 745 | 707 482 952 | 855 586 1.146 | 991 676 1.332 | 1.180 806 1.584 | 615 423 823 | 772 527 1.038 | 932 640 1.248 | 1.070 730 1.440 | 1.278 874 1.716 | 675 462 906 | 834 570 1.121 | 1.015 698 1.356 | 1.150 784 1.548 | 1.377 942 1.848 | 400 |
| 500 | 631 437 839 | 800 545 1.079 | 965 660 1.296 | 1.128 771 1.515 | 1.340 916 1.800 | 699 482 932 | 884 603 1.190 | 1.068 732 1.433 | 1.238 846 1.665 | 1.474 1.008 1.980 | 769 529 1.029 | 965 659 1.298 | 1.165 800 1.560 | 1.338 913 1.800 | 1.598 1.093 2.145 | 844 577 1.133 | 1.043 712 1.401 | 1.268 873 1.695 | 1.437 980 1.935 | 1.721 1.178 2.310 | 500 |
| 600 | 757 525 1.006 | 960 654 1.294 | 1.158 792 1.555 | 1.353 925 1.818 | 1.608 1.099 2.160 | 839 579 1.118 | 1.060 723 1.427 | 1.282 879 1.719 | 1.486 1.015 1.998 | 1.769 1.210 2.376 | 923 635 1.235 | 1.158 790 1.557 | 1.399 960 1.872 | 1.606 1.095 2.160 | 1.917 1.311 2.574 | 1.013 693 1.359 | 1.251 855 1.681 | 1.522 1.047 2.034 | 1.725 1.176 2.322 | 2.065 1.413 2.772 | 600 |
| 700 | 883 612 1.174 | 1.121 763 1.510 | 1.351 924 1.814 | 1.579 1.079 2.121 | 1.876 1.282 2.520 | 978 675 1.304 | 1.237 843 1.665 | 1.496 1.025 2.006 | 1.734 1.184 2.331 | 2.064 1.411 2.772 | 1.077 740 1.441 | 1.350 922 1.817 | 1.632 1.120 2.184 | 1.873 1.278 2.520 | 2.237 1.530 3.003 | 1.182 809 1.586 | 1.459 997 1.961 | 1.775 1.222 2.373 | 2.012 1.372 2.709 | 2.410 1.649 3.234 | 700 |

VERTEX

Heat outputs according to EN442



On the label:
VERTICAL T10-22:



- EN442 (W) 70/50/20°C**
- EN442 (W) 55/45/20°C**
- EN442 (W) 75/65/20°C**

Stelrad BV/PL24/0020/E007

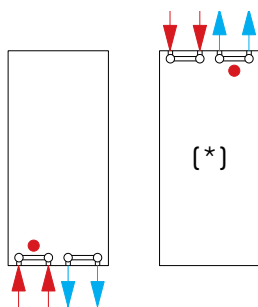
| Height | 1600 | | | | | 1800 | | | | | 2000 | | | | | 2200 | | | | | Height |
|--------|-------|-------|-------|-------|-------|-------|-------|-------|-------|-------|-------|-------|-------|-------|-------|-------|-------|-------|-------|-------|--------|
| | Type | 10 | 11 | 20 | 21 | 22 | 10 | 11 | 20 | 21 | 22 | 10 | 11 | 20 | 21 | 22 | 10 | 11 | 20 | 21 | |
| 300 | 378 | 480 | 579 | 677 | 804 | 419 | 530 | 642 | 743 | 885 | 461 | 578 | 699 | 803 | 959 | 507 | 626 | 761 | 862 | 1.033 | 300 |
| | 262 | 327 | 396 | 462 | 550 | 289 | 362 | 440 | 507 | 605 | 317 | 395 | 480 | 548 | 656 | 347 | 428 | 524 | 588 | 707 | |
| | 503 | 647 | 778 | 909 | 1.080 | 559 | 714 | 860 | 999 | 1.188 | 617 | 779 | 936 | 1.080 | 1.287 | 680 | 841 | 1.017 | 1.161 | 1.386 | |
| 400 | 505 | 641 | 772 | 902 | 1.072 | 559 | 707 | 855 | 991 | 1.180 | 615 | 772 | 932 | 1.070 | 1.278 | 675 | 834 | 1.015 | 1.150 | 1.377 | 400 |
| | 350 | 436 | 528 | 616 | 733 | 386 | 482 | 586 | 676 | 806 | 423 | 527 | 640 | 730 | 874 | 462 | 570 | 698 | 784 | 942 | |
| | 671 | 863 | 1.037 | 1.212 | 1.440 | 745 | 952 | 1.146 | 1.332 | 1.584 | 823 | 1.038 | 1.248 | 1.440 | 1.716 | 906 | 1.121 | 1.356 | 1.548 | 1.848 | |
| 500 | 631 | 800 | 965 | 1.128 | 1.340 | 699 | 884 | 1.068 | 1.238 | 1.474 | 769 | 965 | 1.165 | 1.338 | 1.598 | 844 | 1.043 | 1.268 | 1.437 | 1.721 | 500 |
| | 437 | 545 | 660 | 771 | 916 | 482 | 603 | 732 | 846 | 1.008 | 529 | 659 | 800 | 913 | 1.093 | 577 | 712 | 873 | 980 | 1.178 | |
| | 839 | 1.079 | 1.296 | 1.515 | 1.800 | 932 | 1.190 | 1.433 | 1.665 | 1.980 | 1.029 | 1.298 | 1.560 | 1.800 | 2.145 | 1.133 | 1.401 | 1.695 | 1.935 | 2.310 | |
| 600 | 757 | 960 | 1.158 | 1.353 | 1.608 | 839 | 1.060 | 1.282 | 1.486 | 1.769 | 923 | 1.158 | 1.399 | 1.606 | 1.917 | 1.013 | 1.251 | 1.522 | 1.725 | 2.065 | 600 |
| | 525 | 654 | 792 | 925 | 1.099 | 579 | 723 | 879 | 1.015 | 1.210 | 635 | 790 | 960 | 1.095 | 1.311 | 693 | 855 | 1.047 | 1.176 | 1.413 | |
| | 1.006 | 1.294 | 1.555 | 1.818 | 2.160 | 1.118 | 1.427 | 1.719 | 1.998 | 2.376 | 1.235 | 1.557 | 1.872 | 2.160 | 2.574 | 1.359 | 1.681 | 2.034 | 2.322 | 2.772 | |
| 700 | 883 | 1.121 | 1.351 | 1.579 | 1.876 | 978 | 1.237 | 1.496 | 1.734 | 2.064 | 1.077 | 1.350 | 1.632 | 1.873 | 2.237 | 1.182 | 1.459 | 1.775 | 2.012 | 2.410 | 700 |
| | 612 | 763 | 924 | 1.079 | 1.282 | 675 | 843 | 1.025 | 1.184 | 1.411 | 740 | 922 | 1.120 | 1.278 | 1.530 | 809 | 997 | 1.222 | 1.372 | 1.649 | |
| | 1.174 | 1.510 | 1.814 | 2.121 | 2.520 | 1.304 | 1.665 | 2.006 | 2.331 | 2.772 | 1.441 | 1.817 | 2.184 | 2.520 | 3.003 | 1.586 | 1.961 | 2.373 | 2.709 | 3.234 | |

Core assortment (Stelrad white 9016) available ex factory within 10 days.
Core assortment is subject to change, please refer to www.stelrad.eu for the latest information.
Delivery time depends on the model, please refer to your distributor.

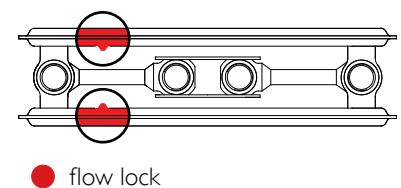
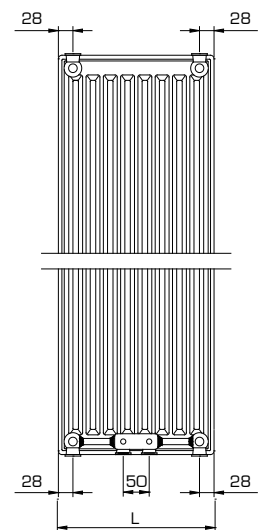
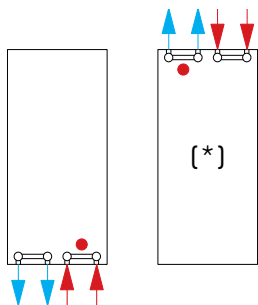
CONNECTION POSSIBILITIES VERTICAL GALVA · VERTEX

View: front of radiator

Types 10 / 11 / 20 / 21 / 22



Types 20 / 21 / 22



(*) With these connection options, both the supply and return must be vented.
Top connection allowed provided there is a temperature difference between flow and return of maximum 20°C.

General information

VERTEX

Do you only have limited space to fit a radiator? The Vertex is the solution. This vertical radiator takes up a minimum of space and optimally heats the cold air next to large window section.

| | |
|-----------------------------|--|
| Product: | vertical panel radiator with a centre connection |
| Finishing: | side panels (only for types 11, 20, 21 and 22) |
| Also supplied: | wall brackets, ETA safety screws and plugs, screws, plugs, air vent, blind plugs and installation instructions |
| Connections: | 4 x ½" female connection (centre connection included). Types 20, 21 and 22 can be reversed (front/back), in which case inlet and outlet are also reversed. |
| Lugs: | no lugs |
| Packaging: | Every radiator is sturdily packaged in high-quality cardboard and wrapped in plastic. The radiator's characteristics are shown on the label: type – height – length. |
| Warranty: | 10 years, as long as the installation instructions have been followed and Stelrad's warranty conditions have been met. |
| Paint process: | All radiators are degreased, phosphated, cathodically primed and powder-coated in Stelrad white 9016 as standard. |
| Colours: | Stelrad white 9016 + 35 different Stelrad colours and about 200 RAL-colours are possible |
| Heat cost allocator: | Suitable for heat cost allocators, both electronic and according to the evaporation principle (covered by the norm of EN834 & EN835). |
| Max. operating pressure: | 10 bar (tested to 13 bar) |
| Max. operating temperature: | 110 °C |
| Conformity: | in accordance with EN442 |
| Quality assurance: | NF |
| Types: | 10 11 20 21 22 |
| Heights: | 1.600 1.800 2.000 2.200 mm |
| Lengths: | 300 400 500 600 700 mm |
| Depths: | 47 47 77 77 100 mm |

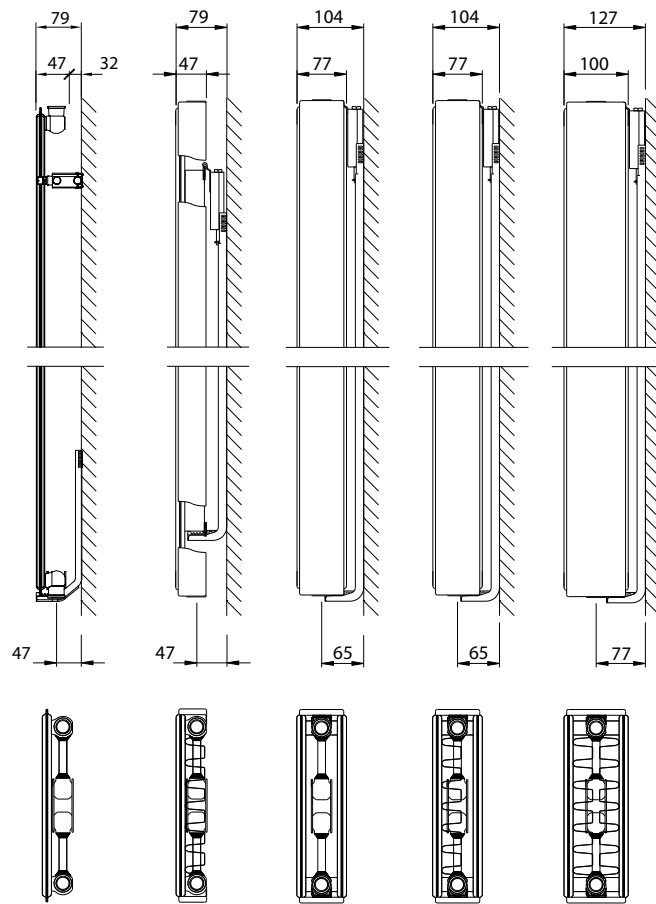


Type overview

Calculation factor
per meter
at 75/65/20°C
according to EN442

Characteristic equation:

$$\Phi = K_M \times \Delta T^n$$



| Height | | Type 10 | Type 11 | Type 20 | Type 21 | Type 22 | Height |
|--------|----------------|---------|---------|---------|---------|---------|--------|
| 1600 | W | 1.677 | 2.157 | 2.592 | 3.030 | 3.600 | 1600 |
| | kg | 30,90 | 42,90 | 63,30 | 71,70 | 80,70 | |
| | l | 7,20 | 7,20 | 14,40 | 14,10 | 14,10 | |
| | m ² | 3,67 | 9,40 | 7,33 | 12,66 | 17,98 | |
| | n | 1,27 | 1,34 | 1,32 | 1,32 | 1,32 | |
| 1800 | W | 1.863 | 2.379 | 2.865 | 3.330 | 3.960 | 1800 |
| | kg | 34,50 | 48,30 | 71,10 | 80,10 | 88,80 | |
| | l | 8,40 | 8,40 | 16,20 | 16,50 | 16,20 | |
| | m ² | 4,13 | 9,86 | 8,25 | 13,58 | 18,90 | |
| | n | 1,29 | 1,33 | 1,31 | 1,33 | 1,32 | |
| 2000 | W | 2.058 | 2.595 | 3.120 | 3.600 | 4.290 | 2000 |
| | kg | 38,10 | 53,70 | 78,60 | 89,10 | 96,60 | |
| | l | 9,30 | 9,30 | 18,00 | 18,60 | 18,00 | |
| | m ² | 4,59 | 11,80 | 9,17 | 15,88 | 22,58 | |
| | n | 1,30 | 1,33 | 1,31 | 1,33 | 1,32 | |
| 2200 | W | 2.265 | 2.802 | 3.390 | 3.870 | 4.620 | 2200 |
| | kg | 42,00 | 57,90 | 87,60 | 98,40 | 108,90 | |
| | l | 10,20 | 10,20 | 20,10 | 20,10 | 20,10 | |
| | m ² | 5,04 | 12,26 | 10,09 | 16,79 | 23,50 | |
| | n | 1,32 | 1,32 | 1,30 | 1,33 | 1,32 | |

W=heat output per meter / kg=weight per meter / l=content per meter / m²=surface per meter / n=exponent
The manufacturer reserves the right to alter any of the specifications shown in this document without prior notice.

General information

NOVELLO 8

The Novello 8 radiator is a fully encased radiator equipped with an integrated adjustable valve insert. Furthermore you have, thanks to the 4 side- and 4 bottom connections, a variety of connection possibilities. This makes the Novello 8 easy to install and applicable in about every situation. In addition, it offers a uniform wall distance of 65 mm for all types at the center connection.

| | |
|-----------------------------|--|
| Product: | the fully encased valve radiator with 8 connections |
| Finishing: | upper grille and side panels |
| Pre-installed: | preset Heimeier 4368 or 4369 valve insert, air vent and blind plugs |
| Valve insert: | The integrated adjustable valve insert (without thermostatic head) is factory-fit on the right side of the radiator, CEN certified, tested in accordance with EN215 and compatible with thermostatic heads M30 x 1,5 mm. The thermostatic valve insert is factory-set in relation to the size of the radiator. This presetting ensures optimum throughput in the radiator. Factory setting for two-pipe systems, also suitable for one-pipe systems (as long as the valve insert is adjusted to position 8). |
| Also supplied: | Monclac brackets with anti-lift (VDI compliant when used in combination with included anti-slide clips), screws, plugs and installation instructions |
| Connections: | 4 x 3/4" male Eurocone bottom connection (2 x centre and 2 x lateral) and 4 x 1/2" female side connection. Uniform wall distance of 65 mm for all types at the centre connection. Left handed version: type 21, 22 and 33 are reversible. Reversing types 22 or 33 will modify the centre to wall distance of 65 mm. |
| Lugs: | Type 11 is equipped with 2 pairs of mounting lugs up to 1.600 mm and 3 pairs from 1.800 mm |
| Packaging: | Every radiator is sturdily packaged in high-quality cardboard and wrapped in plastic. The radiator's characteristics are shown on the label: type – height – length. |
| Warranty: | 10 years, as long as the installation instructions have been followed and Stelrad's warranty conditions have been met. |
| Paint process: | All radiators are degreased, phosphated, cathodically primed and powder-coated in Stelrad white 9016 as standard. |
| Colours: | Stelrad white 9016 + 35 different Stelrad colours and about 200 RAL-colours are possible |
| Heat cost allocator: | Suitable for heat cost allocators, both electronic and according to the evaporation principle (covered by the norm of EN834 & EN835). |
| Max. operating pressure: | 10 bar (tested to 13 bar) |
| Max. operating temperature: | 110 °C |
| Conformity: | in accordance with EN442 |
| Quality assurance: | NF |
| Types: | 11 21 22 33 |
| Heights: | 300 400 500 600 700 900 mm |
| Lengths: | 400 – 3.000 mm |
| Depths: | 61 77 100 158 mm |



2018

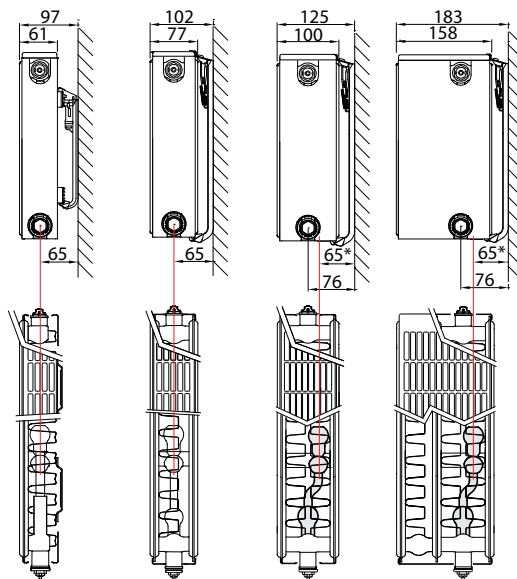
Type overview

Calculation factor
per meter
at 75/65/20°C
according to EN442

Characteristic equation:

$$\Phi = K_M \times \Delta T^n$$

* centre connection only



| Height | | Type 11 | Type 21 | Type 22 | Type 33 | Centre distance |
|--------|----------------|---------|---------|---------|---------|-----------------|
| 300 | W | 509 | 745 | 982 | 1.349 | 250 |
| | kg | 9,31 | 14,29 | 16,80 | 25,20 | |
| | l | 1,89 | 3,70 | 3,70 | 5,40 | |
| | m ² | 2,09 | 2,44 | 3,51 | 5,26 | |
| | n | 1,32 | 1,33 | 1,33 | 1,31 | |
| 400 | W | 676 | 954 | 1.245 | 1.711 | 350 |
| | kg | 12,78 | 19,46 | 22,87 | 34,30 | |
| | l | 2,34 | 4,67 | 4,67 | 6,87 | |
| | m ² | 2,95 | 3,37 | 4,92 | 7,38 | |
| | n | 1,31 | 1,33 | 1,33 | 1,32 | |
| 500 | W | 833 | 1.153 | 1.494 | 2.056 | 450 |
| | kg | 16,24 | 24,63 | 28,93 | 43,40 | |
| | l | 2,80 | 5,63 | 5,63 | 8,33 | |
| | m ² | 3,80 | 4,31 | 6,33 | 9,49 | |
| | n | 1,30 | 1,34 | 1,33 | 1,32 | |
| 600 | W | 980 | 1.345 | 1.732 | 2.389 | 550 |
| | kg | 19,70 | 29,80 | 35,00 | 52,50 | |
| | l | 3,25 | 6,60 | 6,60 | 9,80 | |
| | m ² | 4,66 | 5,24 | 7,74 | 11,61 | |
| | n | 1,29 | 1,34 | 1,33 | 1,32 | |
| 700 | W | 1.117 | 1.530 | 1.961 | 2.712 | 650 |
| | kg | 22,90 | 34,50 | 40,53 | 60,77 | |
| | l | 3,77 | 7,63 | 7,63 | 11,37 | |
| | m ² | 5,51 | 6,18 | 9,15 | 13,72 | |
| | n | 1,29 | 1,34 | 1,34 | 1,34 | |
| 900 | W | 1.360 | 1.883 | 2.395 | 3.334 | 850 |
| | kg | 29,30 | 43,90 | 51,60 | 77,30 | |
| | l | 4,80 | 9,70 | 9,70 | 14,50 | |
| | m ² | 7,22 | 8,05 | 11,97 | 17,96 | |
| | n | 1,29 | 1,34 | 1,35 | 1,37 | |

W=heat output per meter / kg=weight per meter / l=content per meter / m²=surface per meter / n=exponent
The manufacturer reserves the right to alter any of the specifications shown in this document without prior notice.

NOVELLO 8

Heat outputs according to EN442



EN442 (W) 70/50/20°C

EN442 (W) 55/45/20°C

EN442 (W) 75/65/20°C

Stelrad_BV/PL24/0020/EC007

| Height | 300 | | | |
|-------------|-----|-------|-------|-------|
| | 11 | 21 | 22 | 33 |
| 400 | 152 | 221 | 292 | 403 |
| | 104 | 151 | 200 | 276 |
| | 204 | 298 | 393 | 540 |
| 500 | 189 | 276 | 365 | 503 |
| | 129 | 189 | 249 | 345 |
| | 255 | 373 | 491 | 675 |
| 600 | 227 | 332 | 438 | 603 |
| | 155 | 227 | 299 | 414 |
| | 305 | 447 | 589 | 809 |
| 700 | 265 | 388 | 511 | 704 |
| | 181 | 265 | 349 | 483 |
| | 356 | 522 | 687 | 944 |
| 800 | 303 | 443 | 585 | 805 |
| | 207 | 302 | 399 | 552 |
| | 407 | 596 | 786 | 1.079 |
| 900 | 341 | 498 | 658 | 906 |
| | 233 | 340 | 449 | 621 |
| | 458 | 671 | 884 | 1.214 |
| 1000 | 379 | 554 | 730 | 1.006 |
| | 259 | 378 | 499 | 690 |
| | 509 | 745 | 982 | 1.349 |
| 1100 | 417 | 609 | 803 | 1.107 |
| | 285 | 416 | 548 | 759 |
| | 560 | 820 | 1.080 | 1.484 |
| 1200 | 455 | 664 | 876 | 1.208 |
| | 311 | 453 | 598 | 828 |
| | 611 | 894 | 1.178 | 1.619 |
| 1400 | 531 | 775 | 1.023 | 1.409 |
| | 363 | 529 | 698 | 966 |
| | 713 | 1.043 | 1.375 | 1.889 |
| 1600 | | 886 | 1.169 | 1.610 |
| | | 604 | 798 | 1.103 |
| | | 1.192 | 1.571 | 2.158 |
| 1800 | | 997 | 1.315 | 1.811 |
| | | 680 | 898 | 1.241 |
| | | 1.341 | 1.768 | 2.428 |
| 2000 | | 1.107 | 1.461 | 2.012 |
| | | 755 | 997 | 1.379 |
| | | 1.490 | 1.964 | 2.698 |
| 2200 | | 1.218 | 1.607 | 2.214 |
| | | 831 | 1.097 | 1.517 |
| | | 1.639 | 2.160 | 2.968 |
| 2400 | | 1.329 | 1.753 | 2.415 |
| | | 907 | 1.197 | 1.655 |
| | | 1.788 | 2.357 | 3.238 |
| 2600 | | | 1.899 | |
| | | | 1.297 | |
| | | | 2.553 | |
| 2800 | | | 2.045 | |
| | | | 1.397 | |
| | | | 2.750 | |
| 3000 | | | 2.191 | |
| | | | 1.496 | |
| | | | 2.946 | |

| 400 | | | |
|-------|-------|-------|-------|
| 11 | 21 | 22 | 33 |
| 201 | 284 | 370 | 510 |
| 138 | 193 | 253 | 349 |
| 270 | 382 | 498 | 684 |
| 252 | 354 | 462 | 638 |
| 173 | 241 | 315 | 437 |
| 338 | 477 | 623 | 856 |
| 303 | 425 | 555 | 766 |
| 208 | 290 | 379 | 524 |
| 406 | 572 | 747 | 1.027 |
| 353 | 496 | 648 | 893 |
| 242 | 338 | 442 | 611 |
| 473 | 668 | 872 | 1.198 |
| 404 | 567 | 740 | 1.020 |
| 277 | 386 | 505 | 699 |
| 541 | 763 | 996 | 1.369 |
| 454 | 638 | 833 | 1.148 |
| 311 | 435 | 568 | 786 |
| 608 | 859 | 1.121 | 1.540 |
| 504 | 709 | 925 | 1.275 |
| 346 | 483 | 631 | 873 |
| 676 | 954 | 1.245 | 1.711 |
| 555 | 779 | 1.018 | 1.403 |
| 381 | 531 | 695 | 960 |
| 744 | 1.049 | 1.370 | 1.882 |
| 605 | 850 | 1.111 | 1.530 |
| 415 | 580 | 758 | 1.048 |
| 811 | 1.145 | 1.494 | 2.053 |
| 706 | 992 | 1.296 | 1.785 |
| 484 | 676 | 884 | 1.222 |
| 946 | 1.336 | 1.743 | 2.395 |
| 807 | 1.134 | 1.481 | 2.041 |
| 554 | 773 | 1.010 | 1.397 |
| 1.082 | 1.526 | 1.992 | 2.738 |
| 908 | 1.275 | 1.666 | 2.296 |
| 623 | 869 | 1.137 | 1.572 |
| 1.217 | 1.717 | 2.241 | 3.080 |
| 1.009 | 1.417 | 1.851 | 2.551 |
| 692 | 966 | 1.263 | 1.746 |
| 1.352 | 1.908 | 2.490 | 3.422 |
| | 1.559 | 2.036 | 2.806 |
| | 1.063 | 1.389 | 1.921 |
| | 2.099 | 2.739 | 3.764 |
| | 1.701 | 2.221 | 3.061 |
| | 1.159 | 1.515 | 2.095 |
| | 2.290 | 2.988 | 4.106 |
| | | 2.406 | |
| | | 1.642 | |
| | | 3.237 | |
| | | 2.591 | |
| | | 1.768 | |
| | | 3.486 | |
| | | 2.776 | |
| | | 1.894 | |
| | | 3.735 | |

| 500 | | | |
|-------|-------|-------|-------|
| 11 | 21 | 22 | 33 |
| 249 | 342 | 444 | 612 |
| 171 | 233 | 303 | 419 |
| 333 | 461 | 598 | 822 |
| 311 | 428 | 555 | 766 |
| 214 | 291 | 378 | 524 |
| 417 | 577 | 747 | 1.028 |
| 374 | 514 | 666 | 919 |
| 257 | 350 | 454 | 629 |
| 500 | 692 | 896 | 1.234 |
| 436 | 599 | 777 | 1.072 |
| 300 | 408 | 530 | 733 |
| 583 | 807 | 1.046 | 1.439 |
| 498 | 684 | 888 | 1.225 |
| 343 | 466 | 605 | 838 |
| 666 | 922 | 1.195 | 1.645 |
| 561 | 771 | 999 | 1.378 |
| 386 | 525 | 681 | 943 |
| 750 | 1.038 | 1.345 | 1.850 |
| 623 | 856 | 1.110 | 1.531 |
| 428 | 583 | 757 | 1.047 |
| 833 | 1.153 | 1.494 | 2.056 |
| 685 | 941 | 1.221 | 1.685 |
| 471 | 641 | 832 | 1.152 |
| 916 | 1.268 | 1.643 | 2.262 |
| 748 | 1.027 | 1.332 | 1.838 |
| 514 | 700 | 908 | 1.257 |
| 1.000 | 1.384 | 1.793 | 2.467 |
| 872 | 1.198 | 1.554 | 2.144 |
| 600 | 816 | 1.059 | 1.466 |
| 1.166 | 1.614 | 2.092 | 2.878 |
| 997 | 1.370 | 1.776 | 2.451 |
| 686 | 933 | 1.210 | 1.676 |
| 1.333 | 1.845 | 2.390 | 3.290 |
| 1.121 | 1.540 | 1.998 | 2.757 |
| 771 | 1.049 | 1.362 | 1.886 |
| 1.499 | 2.075 | 2.689 | 3.701 |
| 1.246 | 1.712 | 2.220 | 3.063 |
| 857 | 1.166 | 1.513 | 2.095 |
| 1.666 | 2.306 | 2.988 | 4.112 |
| 1.371 | 1.883 | 2.442 | 3.369 |
| 943 | 1.283 | 1.665 | 2.304 |
| 1.833 | 2.537 | 3.287 | 4.523 |
| 1.495 | 2.054 | 2.664 | 3.675 |
| 1.028 | 1.399 | 1.816 | 2.514 |
| 1.999 | 2.767 | 3.586 | 4.934 |
| | | 2.885 | |
| | | 1.967 | |
| | | 3.884 | |
| | | 3.108 | |
| | | 2.118 | |
| | | 4.183 | |
| | | 3.330 | |
| | | 2.270 | |
| | | 4.482 | |

Core assortment (Stelrad white 9016) available ex factory within 10 days.
 Core assortment is subject to change, please refer to www.stelrad.eu for the latest information.
 Delivery time depends on the model, please refer to your distributor.

NOVELLO 8

On the label:
8-CONNECTIONS

Art. 0662 06 22 04

T21-33: 0662
T11: 0661

| Height | 600 | | | |
|--------|-------|-------|-------|-------|
| Type | 11 | 21 | 22 | 33 |
| 400 | 294 | 399 | 515 | 712 |
| | 203 | 272 | 350 | 486 |
| | 392 | 538 | 693 | 956 |
| 500 | 367 | 499 | 643 | 889 |
| | 253 | 339 | 438 | 607 |
| | 490 | 673 | 866 | 1.195 |
| 600 | 441 | 599 | 771 | 1.067 |
| | 304 | 407 | 525 | 729 |
| | 588 | 807 | 1.039 | 1.433 |
| 700 | 514 | 699 | 900 | 1.244 |
| | 355 | 476 | 613 | 850 |
| | 686 | 942 | 1.212 | 1.672 |
| 800 | 588 | 798 | 1.029 | 1.422 |
| | 405 | 543 | 701 | 972 |
| | 784 | 1.076 | 1.386 | 1.911 |
| 900 | 661 | 898 | 1.157 | 1.600 |
| | 456 | 611 | 788 | 1.094 |
| | 882 | 1.211 | 1.559 | 2.150 |
| 1000 | 735 | 998 | 1.286 | 1.778 |
| | 507 | 679 | 876 | 1.215 |
| | 980 | 1.345 | 1.732 | 2.389 |
| 1100 | 808 | 1.098 | 1.414 | 1.956 |
| | 557 | 747 | 963 | 1.337 |
| | 1.078 | 1.480 | 1.905 | 2.628 |
| 1200 | 881 | 1.197 | 1.543 | 2.134 |
| | 608 | 815 | 1.051 | 1.458 |
| | 1.176 | 1.614 | 2.078 | 2.867 |
| 1400 | 1.028 | 1.397 | 1.800 | 2.490 |
| | 709 | 951 | 1.226 | 1.701 |
| | 1.372 | 1.883 | 2.425 | 3.345 |
| 1600 | 1.175 | 1.596 | 2.057 | 2.845 |
| | 810 | 1.086 | 1.401 | 1.944 |
| | 1.568 | 2.152 | 2.771 | 3.822 |
| 1800 | 1.322 | 1.796 | 2.315 | 3.200 |
| | 912 | 1.222 | 1.577 | 2.187 |
| | 1.764 | 2.421 | 3.118 | 4.300 |
| 2000 | 1.469 | 1.996 | 2.572 | 3.556 |
| | 1.013 | 1.358 | 1.752 | 2.430 |
| | 1.960 | 2.690 | 3.464 | 4.778 |
| 2200 | 1.616 | 2.195 | 2.829 | 3.912 |
| | 1.114 | 1.494 | 1.927 | 2.673 |
| | 2.156 | 2.959 | 3.810 | 5.256 |
| 2400 | 1.763 | 2.395 | 3.086 | 4.268 |
| | 1.216 | 1.630 | 2.102 | 2.917 |
| | 2.352 | 3.228 | 4.157 | 5.734 |
| 2600 | | | 3.343 | |
| | | | 2.277 | |
| | | | 4.503 | |
| 2800 | | | 3.601 | |
| | | | 2.453 | |
| | | | 4.850 | |
| 3000 | | | 3.858 | |
| | | | 2.628 | |
| | | | 5.196 | |

| 700 | | | |
|-------|-------|-------|-------|
| 11 | 21 | 22 | 33 |
| 335 | 454 | 582 | 805 |
| 231 | 309 | 396 | 547 |
| 447 | 612 | 784 | 1.085 |
| 418 | 568 | 727 | 1.006 |
| 288 | 386 | 495 | 684 |
| 559 | 765 | 981 | 1.356 |
| 502 | 681 | 873 | 1.207 |
| 346 | 463 | 594 | 821 |
| 670 | 918 | 1.177 | 1.627 |
| 586 | 795 | 1.018 | 1.408 |
| 404 | 541 | 693 | 958 |
| 782 | 1.071 | 1.373 | 1.898 |
| 670 | 908 | 1.164 | 1.609 |
| 462 | 618 | 792 | 1.095 |
| 894 | 1.224 | 1.569 | 2.170 |
| 753 | 1.022 | 1.309 | 1.810 |
| 519 | 695 | 891 | 1.232 |
| 1.005 | 1.377 | 1.765 | 2.441 |
| 837 | 1.135 | 1.455 | 2.011 |
| 577 | 772 | 990 | 1.368 |
| 1.117 | 1.530 | 1.961 | 2.712 |
| 921 | 1.249 | 1.600 | 2.212 |
| 635 | 850 | 1.089 | 1.505 |
| 1.229 | 1.683 | 2.157 | 2.983 |
| 1.004 | 1.362 | 1.745 | 2.413 |
| 693 | 927 | 1.188 | 1.642 |
| 1.340 | 1.836 | 2.353 | 3.254 |
| 1.172 | 1.589 | 2.036 | 2.816 |
| 808 | 1.081 | 1.385 | 1.916 |
| 1.564 | 2.142 | 2.745 | 3.797 |
| 1.339 | 1.816 | 2.328 | 3.218 |
| 924 | 1.236 | 1.584 | 2.189 |
| 1.787 | 2.448 | 3.138 | 4.339 |
| 1.507 | 2.043 | 2.619 | 3.621 |
| 1.039 | 1.390 | 1.782 | 2.463 |
| 2.011 | 2.754 | 3.530 | 4.882 |
| 1.674 | 2.270 | 2.909 | 4.023 |
| 1.155 | 1.545 | 1.980 | 2.737 |
| 2.234 | 3.060 | 3.922 | 5.424 |
| | | | |
| | | | |
| | | | |
| | | | |
| | | | |

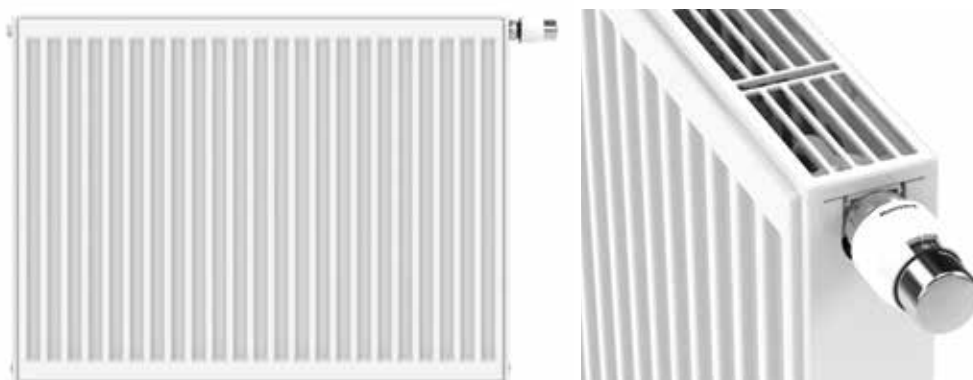
| 900 | | | |
|-------|-------|-------|-------|
| 11 | 21 | 22 | 33 |
| 408 | 559 | 709 | 982 |
| 281 | 380 | 482 | 662 |
| 544 | 753 | 958 | 1.334 |
| 510 | 699 | 887 | 1.228 |
| 351 | 476 | 602 | 827 |
| 680 | 942 | 1.198 | 1.667 |
| 612 | 838 | 1.064 | 1.473 |
| 422 | 570 | 722 | 993 |
| 816 | 1.130 | 1.437 | 2.000 |
| 714 | 978 | 1.241 | 1.719 |
| 492 | 665 | 843 | 1.159 |
| 952 | 1.318 | 1.677 | 2.334 |
| 816 | 1.117 | 1.419 | 1.964 |
| 562 | 760 | 963 | 1.324 |
| 1.088 | 1.506 | 1.916 | 2.667 |
| 917 | 1.257 | 1.597 | 2.210 |
| 633 | 856 | 1.084 | 1.490 |
| 1.224 | 1.695 | 2.156 | 3.001 |
| 1.019 | 1.397 | 1.774 | 2.455 |
| 703 | 951 | 1.204 | 1.655 |
| 1.360 | 1.883 | 2.395 | 3.334 |
| 1.121 | 1.536 | 1.950 | 2.700 |
| 773 | 1.045 | 1.324 | 1.820 |
| 1.496 | 2.071 | 2.635 | 3.667 |
| 1.223 | 1.677 | 2.128 | 2.946 |
| 844 | 1.141 | 1.445 | 1.986 |
| 1.632 | 2.260 | 2.874 | 4.001 |
| 1.427 | 1.956 | 2.483 | 3.438 |
| 984 | 1.331 | 1.686 | 2.317 |
| 1.904 | 2.636 | 3.353 | 4.668 |
| 1.631 | 2.235 | 2.838 | 3.928 |
| 1.125 | 1.521 | 1.926 | 2.648 |
| 2.176 | 3.013 | 3.832 | 5.334 |
| 1.835 | 2.514 | 3.192 | 4.419 |
| 1.265 | 1.711 | 2.167 | 2.979 |
| 2.448 | 3.389 | 4.311 | 6.001 |
| 2.039 | 2.794 | 3.547 | 4.910 |
| 1.406 | 1.901 | 2.408 | 3.310 |
| 2.720 | 3.766 | 4.790 | 6.668 |
| | | | |
| | | | |
| | | | |
| | | | |
| | | | |

General information

NOVELLO

The Novello radiator is a fully dressed radiator equipped with an integrated adjustable valve insert. This radiator can be connected either as a valve or as a compact radiator.

| | |
|-----------------------------|---|
| Product: | fully encased valve radiator |
| Finishing: | upper grille and side panels |
| Pre-installed: | preset Heimeier 4368 or 4369 valve insert, air vent and blind plugs |
| Valve insert: | The integrated adjustable valve insert (without thermostatic head) is factory-fit on the right side of the radiator; CEN certified, tested in accordance with EN215 and compatible with thermostatic heads M30 x 1,5 mm. The thermostatic valve insert is factory-set in relation to the size of the radiator. This presetting ensures optimum throughput in the radiator. Factory setting for two-pipe systems, also suitable for one-pipe systems (as long as the valve insert is adjusted to position 8). |
| Also supplied: | Monclac brackets with anti-lift (VDI compliant when used in combination with included anti-slide clips), screws, plugs and installation instructions |
| Connections: | 6 x 1/2" female connection (2 x 1/2" lateral bottom connection included). Left handed version: type 21, 22 and 33 are reversible, type 11 is available on request. |
| Lugs: | Type 11 is equipped with 2 pairs of mounting lugs up to 1.600 mm and 3 pairs from 1.800 mm |
| Packaging: | Every radiator is sturdily packaged in high-quality cardboard and wrapped in plastic. The radiator's characteristics are shown on the label: type – height – length. |
| Warranty: | 10 years, as long as the installation instructions have been followed and Stelrad's warranty conditions have been met. |
| Paint process: | All radiators are degreased, phosphated, cathodically primed and powder-coated in Stelrad white 9016 as standard. |
| Colours: | Stelrad white 9016 + 35 different Stelrad colours and about 200 RAL-colours are possible |
| Heat cost allocator: | Suitable for heat cost allocators, both electronic and according to the evaporation principle (covered by the norm of EN834 & EN835). |
| Max. operating pressure: | 10 bar (tested to 13 bar) |
| Max. operating temperature: | 110 °C |
| Conformity: | in accordance with EN442 |
| Quality assurance: | NF |
| Types: | 11 21 22 33 |
| Heights: | 300 400 500 600 700 900 mm |
| Lengths: | 400 – 3.000 mm |
| Depths: | 61 77 100 158 mm |

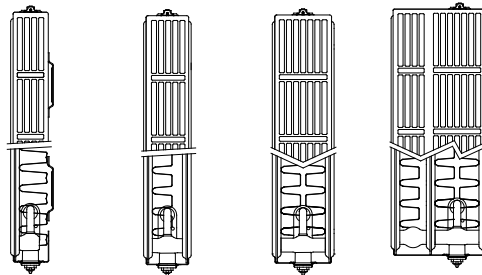
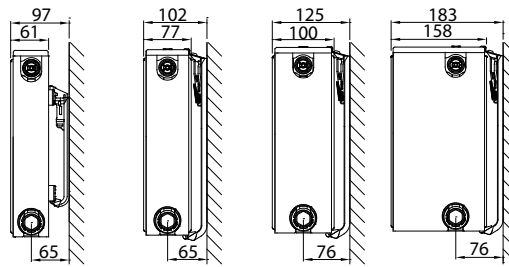


Type overview

Calculation factor
per meter
at 75/65/20°C
according to EN442

Characteristic equation:

$$\Phi = K_M \times \Delta T^n$$



| Height | | Type 11 | Type 21 | Type 22 | Type 33 | Centre distance |
|--------|----------------|---------|---------|---------|---------|-----------------|
| 300 | W | | | 982 | 1.349 | 250 |
| | kg | | | 16,80 | 25,20 | |
| | l | | | 3,70 | 5,40 | |
| | m ² | | | 3,51 | 5,26 | |
| | n | | | 1,33 | 1,31 | |
| 400 | W | | | 1.245 | 1.711 | 350 |
| | kg | | | 22,87 | 34,30 | |
| | l | | | 4,67 | 6,87 | |
| | m ² | | | 4,92 | 7,38 | |
| | n | | | 1,33 | 1,32 | |
| 500 | W | 833 | 1.153 | 1.494 | 2.056 | 450 |
| | kg | 16,24 | 24,63 | 28,93 | 43,40 | |
| | l | 2,80 | 5,63 | 5,63 | 8,33 | |
| | m ² | 3,80 | 4,31 | 6,33 | 9,49 | |
| | n | 1,30 | 1,34 | 1,33 | 1,32 | |
| 600 | W | 980 | 1.345 | 1.732 | 2.389 | 550 |
| | kg | 19,70 | 29,80 | 35,00 | 52,50 | |
| | l | 3,25 | 6,60 | 6,60 | 9,80 | |
| | m ² | 4,66 | 5,24 | 7,74 | 11,61 | |
| | n | 1,29 | 1,34 | 1,33 | 1,32 | |
| 700 | W | | 1.530 | 1.961 | 2.712 | 650 |
| | kg | | 34,50 | 40,53 | 60,77 | |
| | l | | 7,63 | 7,63 | 11,37 | |
| | m ² | | 6,18 | 9,15 | 13,72 | |
| | n | | 1,34 | 1,34 | 1,34 | |
| 900 | W | 1.360 | 1.883 | 2.395 | 3.334 | 850 |
| | kg | 29,30 | 43,90 | 51,60 | 77,30 | |
| | l | 4,80 | 9,70 | 9,70 | 14,50 | |
| | m ² | 7,22 | 8,05 | 11,97 | 17,96 | |
| | n | 1,29 | 1,34 | 1,35 | 1,37 | |

W=heat output per meter / kg=weight per meter / l=content per meter / m²=surface per meter / n=exponent
The manufacturer reserves the right to alter any of the specifications shown in this document without prior notice.

NOVELLO

Heat outputs according to EN442



EN442 (W) 70/50/20°C

EN442 (W) 55/45/20°C

EN442 (W) 75/65/20°C

Stelrad_BV/PL24/0020/EC007

| Height | 300 | |
|-------------|-------|-------|
| | 22 | 33 |
| 400 | 292 | |
| | 200 | |
| | 393 | |
| 500 | 365 | |
| | 249 | |
| | 491 | |
| 600 | 438 | |
| | 299 | |
| | 589 | |
| 700 | 511 | |
| | 349 | |
| | 687 | |
| 800 | 585 | 805 |
| | 399 | 552 |
| | 786 | 1.079 |
| 900 | 658 | 906 |
| | 449 | 621 |
| | 884 | 1.214 |
| 1000 | 730 | 1.006 |
| | 499 | 690 |
| | 982 | 1.349 |
| 1100 | 803 | 1.107 |
| | 548 | 759 |
| | 1.080 | 1.484 |
| 1200 | 876 | 1.208 |
| | 598 | 828 |
| | 1.178 | 1.619 |
| 1400 | 1.023 | 1.409 |
| | 698 | 966 |
| | 1.375 | 1.889 |
| 1600 | 1.169 | 1.610 |
| | 798 | 1.103 |
| | 1.571 | 2.158 |
| 1800 | 1.315 | 1.811 |
| | 898 | 1.241 |
| | 1.768 | 2.428 |
| 2000 | 1.461 | 2.012 |
| | 997 | 1.379 |
| | 1.964 | 2.698 |
| 2200 | 1.607 | 2.214 |
| | 1.097 | 1.517 |
| | 2.160 | 2.968 |
| 2400 | 1.753 | 2.415 |
| | 1.197 | 1.655 |
| | 2.357 | 3.238 |
| 2600 | 1.899 | |
| | 1.297 | |
| | 2.553 | |
| 2800 | 2.045 | |
| | 1.397 | |
| | 2.750 | |
| 3000 | 2.191 | |
| | 1.496 | |
| | 2.946 | |

| 400 | |
|-------|-------|
| 22 | 33 |
| 370 | |
| 253 | |
| 498 | |
| 462 | |
| 315 | |
| 623 | |
| 555 | |
| 379 | |
| 747 | |
| 648 | |
| 442 | |
| 872 | |
| 740 | 1.020 |
| 505 | 699 |
| 996 | 1.369 |
| 833 | 1.148 |
| 568 | 786 |
| 1.121 | 1.540 |
| 925 | 1.275 |
| 631 | 690 |
| 1.245 | 1.711 |
| 1.018 | 1.403 |
| 695 | 960 |
| 1.370 | 1.882 |
| 1.111 | 1.530 |
| 758 | 1.048 |
| 1.494 | 2.053 |
| 1.296 | 1.785 |
| 884 | 1.222 |
| 1.743 | 2.395 |
| 1.481 | 2.041 |
| 1.010 | 1.397 |
| 1.992 | 2.738 |
| 1.666 | 2.296 |
| 1.137 | 1.572 |
| 2.241 | 3.080 |
| 1.851 | 2.551 |
| 1.263 | 1.746 |
| 2.490 | 3.422 |
| 2.036 | 2.806 |
| 1.389 | 1.921 |
| 2.739 | 3.764 |
| 2.221 | 3.061 |
| 1.515 | 2.095 |
| 2.988 | 4.106 |
| 2.406 | |
| 1.642 | |
| 3.237 | |
| 2.591 | |
| 1.768 | |
| 3.486 | |
| 2.776 | |
| 1.894 | |
| 3.735 | |

| 500 | | | |
|-------|-------|-------|-------|
| 11 | 21 | 22 | 33 |
| 249 | 342 | 444 | 612 |
| 171 | 233 | 303 | 419 |
| 333 | 461 | 598 | 822 |
| 311 | 428 | 555 | 766 |
| 214 | 291 | 378 | 524 |
| 417 | 577 | 747 | 1.028 |
| 374 | 514 | 666 | 919 |
| 257 | 350 | 454 | 629 |
| 500 | 692 | 896 | 1.234 |
| 436 | 599 | 777 | 1.072 |
| 300 | 408 | 530 | 733 |
| 583 | 807 | 1.046 | 1.439 |
| 498 | 684 | 888 | 1.225 |
| 343 | 466 | 605 | 838 |
| 666 | 922 | 1.195 | 1.645 |
| 561 | 771 | 999 | 1.378 |
| 386 | 525 | 681 | 943 |
| 750 | 1.038 | 1.345 | 1.850 |
| 623 | 856 | 1.110 | 1.531 |
| 428 | 583 | 757 | 1.047 |
| 833 | 1.153 | 1.494 | 2.056 |
| 685 | 941 | 1.221 | 1.685 |
| 471 | 641 | 832 | 1.152 |
| 916 | 1.268 | 1.643 | 2.262 |
| 748 | 1.027 | 1.332 | 1.838 |
| 514 | 700 | 908 | 1.257 |
| 1.000 | 1.384 | 1.793 | 2.467 |
| 872 | 1.198 | 1.554 | 2.144 |
| 600 | 816 | 1.059 | 1.466 |
| 1.166 | 1.614 | 2.092 | 2.878 |
| 997 | 1.370 | 1.776 | 2.451 |
| 686 | 933 | 1.210 | 1.676 |
| 1.333 | 1.845 | 2.390 | 3.290 |
| 1.121 | 1.540 | 1.998 | 2.757 |
| 771 | 1.049 | 1.362 | 1.886 |
| 1.499 | 2.075 | 2.689 | 3.701 |
| 1.246 | 1.712 | 2.220 | 3.063 |
| 857 | 1.166 | 1.513 | 2.095 |
| 1.666 | 2.306 | 2.988 | 4.112 |
| | | 2.442 | 3.369 |
| | | 1.665 | 2.304 |
| | | 3.287 | 4.523 |
| | | 2.664 | 3.675 |
| | | 1.816 | 2.514 |
| | | 3.586 | 4.934 |
| | | 2.885 | |
| | | 1.967 | |
| | | 3.884 | |
| | | 3.108 | |
| | | 2.118 | |
| | | 4.183 | |
| | | 3.330 | |
| | | 2.270 | |
| | | 4.482 | |

Core assortment (Stelrad white 9016) available ex factory within 10 days.
 Core assortment is subject to change, please refer to www.stelrad.eu for the latest information.
 Delivery time depends on the model, please refer to your distributor.

General information

COMPACT ALL IN

With its seamless casing the Stelrad Compact All In gives your home a tidy and finished character. The safe casing has a highly aesthetic and child-friendly finish. This radiator is fully equipped and ready to install.

| | |
|-----------------------------|--|
| Product: | fully encased compact radiator |
| Finishing: | upper grille and side panels |
| Also supplied: | VDI brackets with anti-lift (type Monclac), screws, plugs, air vent, blind plug and installation instructions |
| Connections: | 4 x 1/2" female connection |
| Lugs: | 2 pairs of mounting lugs up to 1.600 mm and 3 pairs from 1.800 mm |
| Packaging: | Every radiator is sturdily packaged in high-quality cardboard and wrapped in plastic. The radiator's characteristics are shown on the label: type – height – length. |
| Warranty: | 10 years, as long as the installation instructions have been followed and Stelrad's warranty conditions have been met. |
| Paint process: | All radiators are degreased, phosphated, cathoretically primed and powder-coated in Stelrad white 9016 as standard. |
| Colours: | Stelrad white 9016 + 35 different Stelrad colours and about 200 RAL-colours are possible |
| Heat cost allocator: | Suitable for heat cost allocators, both electronic and according to the evaporation principle (covered by the norm of EN834 & EN835). |
| Max. operating pressure: | 10 bar (tested to 13 bar) |
| Max. operating temperature: | 110 °C |
| Conformity: | in accordance with EN442 |
| Quality assurance: | NF |
| Types: | 11 21 22 33 |
| Heights: | 300 400 500 600 700 900 mm |
| Lengths: | 400 – 3.000 mm |
| Depths: | 61 77 100 158 mm |

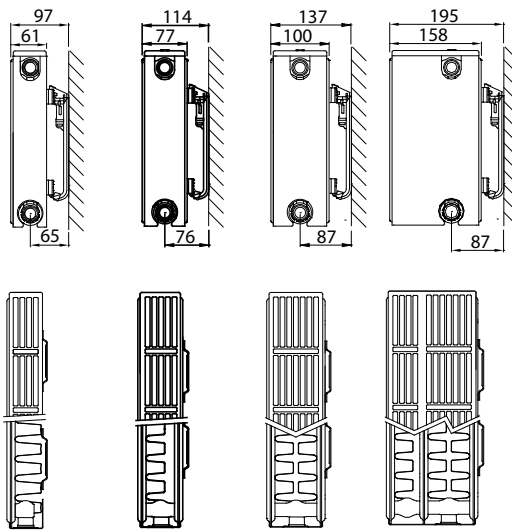


Type overview

Calculation factor
per meter
at 75/65/20°C
according to EN442

Characteristic equation:

$$\Phi = K_M \times \Delta T^n$$



| Height | | Type 11 | Type 21 | Type 22 | Type 33 | Centre distance |
|--------|----------------|---------|---------|---------|---------|-----------------|
| 300 | W | 509 | | 982 | 1.349 | 250 |
| | kg | 9,31 | | 16,80 | 25,20 | |
| | l | 1,89 | | 3,70 | 5,40 | |
| | m ² | 2,09 | | 3,51 | 5,26 | |
| | n | 1,32 | | 1,33 | 1,31 | |
| 400 | W | 676 | 954 | 1.245 | 1.711 | 350 |
| | kg | 12,78 | 19,46 | 22,87 | 34,30 | |
| | l | 2,34 | 4,67 | 4,67 | 6,87 | |
| | m ² | 2,95 | 3,37 | 4,92 | 7,38 | |
| | n | 1,31 | 1,33 | 1,33 | 1,32 | |
| 500 | W | 833 | 1.153 | 1.494 | 2.056 | 450 |
| | kg | 16,24 | 24,63 | 28,93 | 43,40 | |
| | l | 2,80 | 5,63 | 5,63 | 8,33 | |
| | m ² | 3,80 | 4,31 | 6,33 | 9,49 | |
| | n | 1,30 | 1,34 | 1,33 | 1,32 | |
| 600 | W | 980 | 1.345 | 1.732 | 2.389 | 550 |
| | kg | 19,70 | 29,80 | 35,00 | 52,50 | |
| | l | 3,25 | 6,60 | 6,60 | 9,80 | |
| | m ² | 4,66 | 5,24 | 7,74 | 11,61 | |
| | n | 1,29 | 1,34 | 1,33 | 1,32 | |
| 700 | W | 1.117 | 1.530 | 1.961 | 2.712 | 650 |
| | kg | 22,90 | 34,50 | 40,53 | 60,77 | |
| | l | 3,77 | 7,63 | 7,63 | 11,37 | |
| | m ² | 5,51 | 6,18 | 9,15 | 13,72 | |
| | n | 1,29 | 1,34 | 1,34 | 1,34 | |
| 900 | W | 1.360 | 1.883 | 2.395 | 3.334 | 850 |
| | kg | 29,30 | 43,90 | 51,60 | 77,30 | |
| | l | 4,80 | 9,70 | 9,70 | 14,50 | |
| | m ² | 7,22 | 8,05 | 11,97 | 17,96 | |
| | n | 1,29 | 1,34 | 1,35 | 1,37 | |

W=heat output per meter / kg=weight per meter / l=content per meter / m²=surface per meter / n=exponent
The manufacturer reserves the right to alter any of the specifications shown in this document without prior notice.

COMPACT ALL IN

Heat outputs according to EN442



EN442 (W) 70/50/20°C

EN442 (W) 55/45/20°C

EN442 (W) 75/65/20°C

Stelrad BV/PL24/0020/EC007

| Height | 300 | | |
|-------------|-----|-------|-------|
| | 11 | 22 | 33 |
| 400 | 152 | 292 | 403 |
| | 104 | 200 | 276 |
| | 204 | 393 | 540 |
| 500 | 189 | 365 | 503 |
| | 129 | 249 | 345 |
| | 255 | 491 | 675 |
| 600 | 227 | 438 | 603 |
| | 155 | 299 | 414 |
| | 305 | 589 | 809 |
| 700 | 265 | 511 | 704 |
| | 181 | 349 | 483 |
| | 356 | 687 | 944 |
| 800 | 303 | 585 | 805 |
| | 207 | 399 | 552 |
| | 407 | 786 | 1.079 |
| 900 | 341 | 658 | 906 |
| | 233 | 449 | 621 |
| | 458 | 884 | 1.214 |
| 1000 | 379 | 730 | 1.006 |
| | 259 | 499 | 690 |
| | 509 | 982 | 1.349 |
| 1100 | 417 | 803 | 1.107 |
| | 285 | 548 | 759 |
| | 560 | 1.080 | 1.484 |
| 1200 | 455 | 876 | 1.208 |
| | 311 | 598 | 828 |
| | 611 | 1.178 | 1.619 |
| 1400 | 531 | 1.023 | 1.409 |
| | 363 | 698 | 966 |
| | 713 | 1.375 | 1.889 |
| 1600 | | 1.169 | 1.610 |
| | | 798 | 1.103 |
| | | 1.571 | 2.158 |
| 1800 | | 1.315 | 1.811 |
| | | 898 | 1.241 |
| | | 1.768 | 2.428 |
| 2000 | | 1.461 | 2.012 |
| | | 997 | 1.379 |
| | | 1.964 | 2.698 |
| 2200 | | 1.607 | 2.214 |
| | | 1.097 | 1.517 |
| | | 2.160 | 2.968 |
| 2400 | | 1.753 | 2.415 |
| | | 1.197 | 1.655 |
| | | 2.357 | 3.238 |
| 2600 | | 1.899 | |
| | | 1.297 | |
| | | 2.553 | |
| 2800 | | 2.045 | |
| | | 1.397 | |
| | | 2.750 | |
| 3000 | | 2.191 | |
| | | 1.496 | |
| | | 2.946 | |

| 400 | | | |
|-------|-------|-------|-------|
| 11 | 21 | 22 | 33 |
| 201 | 284 | 370 | 510 |
| 138 | 193 | 253 | 349 |
| 270 | 382 | 498 | 684 |
| 252 | 354 | 462 | 638 |
| 173 | 241 | 315 | 437 |
| 338 | 477 | 623 | 856 |
| 303 | 425 | 555 | 766 |
| 208 | 290 | 379 | 524 |
| 406 | 572 | 747 | 1.027 |
| 353 | 496 | 648 | 893 |
| 242 | 338 | 442 | 611 |
| 473 | 668 | 872 | 1.198 |
| 404 | 567 | 740 | 1.020 |
| 277 | 386 | 505 | 699 |
| 541 | 763 | 996 | 1.369 |
| 454 | 638 | 833 | 1.148 |
| 311 | 435 | 568 | 786 |
| 608 | 859 | 1.121 | 1.540 |
| 504 | 709 | 925 | 1.275 |
| 346 | 483 | 631 | 873 |
| 676 | 954 | 1.245 | 1.711 |
| 555 | 779 | 1.018 | 1.403 |
| 381 | 531 | 695 | 960 |
| 744 | 1.049 | 1.370 | 1.882 |
| 605 | 850 | 1.111 | 1.530 |
| 415 | 580 | 758 | 1.048 |
| 811 | 1.145 | 1.494 | 2.053 |
| 706 | 992 | 1.296 | 1.785 |
| 484 | 676 | 884 | 1.222 |
| 946 | 1.336 | 1.743 | 2.395 |
| 807 | 1.134 | 1.481 | 2.041 |
| 554 | 773 | 1.010 | 1.397 |
| 1.082 | 1.526 | 1.992 | 2.738 |
| 908 | 1.275 | 1.666 | 2.296 |
| 623 | 869 | 1.137 | 1.572 |
| 1.217 | 1.717 | 2.241 | 3.080 |
| 1.009 | 1.417 | 1.851 | 2.551 |
| 692 | 966 | 1.263 | 1.746 |
| 1.352 | 1.908 | 2.490 | 3.422 |
| | 1.559 | 2.036 | 2.806 |
| | 1.063 | 1.389 | 1.921 |
| | 2.099 | 2.739 | 3.764 |
| | 1.701 | 2.221 | 3.061 |
| | 1.159 | 1.515 | 2.095 |
| | 2.290 | 2.988 | 4.106 |
| | | 2.406 | |
| | | 1.642 | |
| | | 3.237 | |
| | | 2.591 | |
| | | 1.768 | |
| | | 3.486 | |
| | | 2.776 | |
| | | 1.894 | |
| | | 3.735 | |

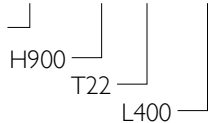
| 500 | | | |
|-------|-------|-------|-------|
| 11 | 21 | 22 | 33 |
| 249 | 342 | 444 | 612 |
| 171 | 233 | 303 | 419 |
| 333 | 461 | 598 | 822 |
| 311 | 428 | 555 | 766 |
| 214 | 291 | 378 | 524 |
| 417 | 577 | 747 | 1.028 |
| 374 | 514 | 666 | 919 |
| 257 | 350 | 454 | 629 |
| 500 | 692 | 896 | 1.234 |
| 436 | 599 | 777 | 1.072 |
| 300 | 408 | 530 | 733 |
| 583 | 807 | 1.046 | 1.439 |
| 498 | 684 | 888 | 1.225 |
| 343 | 466 | 605 | 838 |
| 666 | 922 | 1.195 | 1.645 |
| 561 | 771 | 999 | 1.378 |
| 386 | 525 | 681 | 943 |
| 750 | 1.038 | 1.345 | 1.850 |
| 623 | 856 | 1.110 | 1.531 |
| 428 | 583 | 757 | 1.047 |
| 833 | 1.153 | 1.494 | 2.056 |
| 685 | 941 | 1.221 | 1.685 |
| 471 | 641 | 832 | 1.152 |
| 916 | 1.268 | 1.643 | 2.262 |
| 748 | 1.027 | 1.332 | 1.838 |
| 514 | 700 | 908 | 1.257 |
| 1.000 | 1.384 | 1.793 | 2.467 |
| 872 | 1.198 | 1.554 | 2.144 |
| 600 | 816 | 1.059 | 1.466 |
| 1.166 | 1.614 | 2.092 | 2.878 |
| 997 | 1.370 | 1.776 | 2.451 |
| 686 | 933 | 1.210 | 1.676 |
| 1.333 | 1.845 | 2.390 | 3.290 |
| 1.121 | 1.540 | 1.998 | 2.757 |
| 771 | 1.049 | 1.362 | 1.886 |
| 1.499 | 2.075 | 2.689 | 3.701 |
| 1.246 | 1.712 | 2.220 | 3.063 |
| 857 | 1.166 | 1.513 | 2.095 |
| 1.666 | 2.306 | 2.988 | 4.112 |
| 1.371 | 1.883 | 2.442 | 3.369 |
| 943 | 1.283 | 1.665 | 2.304 |
| 1.833 | 2.537 | 3.287 | 4.523 |
| 1.495 | 2.054 | 2.664 | 3.675 |
| 1.028 | 1.399 | 1.816 | 2.514 |
| 1.999 | 2.767 | 3.586 | 4.934 |
| | | 2.885 | |
| | | 1.967 | |
| | | 3.884 | |
| | | 3.108 | |
| | | 2.118 | |
| | | 4.183 | |
| | | 3.330 | |
| | | 2.270 | |
| | | 4.482 | |

Core assortment (Stelrad white 9016) available ex factory within 10 days.
 Core assortment is subject to change, please refer to www.stelrad.eu for the latest information.
 Delivery time depends on the model, please refer to your distributor.

COMPACT ALL IN

On the label:
COMPACT ALL IN T11-33: 0214

Art. 0214 09 22 04



| Height | 600 | | | |
|--------|-------|-------|-------|-------|
| Type | 11 | 21 | 22 | 33 |
| 400 | 294 | 399 | 515 | 712 |
| | 203 | 272 | 350 | 486 |
| | 392 | 538 | 693 | 956 |
| 500 | 367 | 499 | 643 | 889 |
| | 253 | 339 | 438 | 607 |
| | 490 | 673 | 866 | 1.195 |
| 600 | 441 | 599 | 771 | 1.067 |
| | 304 | 407 | 525 | 729 |
| | 588 | 807 | 1.039 | 1.433 |
| 700 | 514 | 699 | 900 | 1.244 |
| | 355 | 476 | 613 | 850 |
| | 686 | 942 | 1.212 | 1.672 |
| 800 | 588 | 798 | 1.029 | 1.422 |
| | 405 | 543 | 701 | 972 |
| | 784 | 1.076 | 1.386 | 1.911 |
| 900 | 661 | 898 | 1.157 | 1.600 |
| | 456 | 611 | 788 | 1.094 |
| | 882 | 1.211 | 1.559 | 2.150 |
| 1000 | 735 | 998 | 1.286 | 1.778 |
| | 507 | 679 | 876 | 1.215 |
| | 980 | 1.345 | 1.732 | 2.389 |
| 1100 | 808 | 1.098 | 1.414 | 1.956 |
| | 557 | 747 | 963 | 1.337 |
| | 1.078 | 1.480 | 1.905 | 2.628 |
| 1200 | 881 | 1.197 | 1.543 | 2.134 |
| | 608 | 815 | 1.051 | 1.458 |
| | 1.176 | 1.614 | 2.078 | 2.867 |
| 1400 | 1.028 | 1.397 | 1.800 | 2.490 |
| | 709 | 951 | 1.226 | 1.701 |
| | 1.372 | 1.883 | 2.425 | 3.345 |
| 1600 | 1.175 | 1.596 | 2.057 | 2.845 |
| | 810 | 1.086 | 1.401 | 1.944 |
| | 1.568 | 2.152 | 2.771 | 3.822 |
| 1800 | 1.322 | 1.796 | 2.315 | 3.200 |
| | 912 | 1.222 | 1.577 | 2.187 |
| | 1.764 | 2.421 | 3.118 | 4.300 |
| 2000 | 1.469 | 1.996 | 2.572 | 3.556 |
| | 1.013 | 1.358 | 1.752 | 2.430 |
| | 1.960 | 2.690 | 3.464 | 4.778 |
| 2200 | 1.616 | 2.195 | 2.829 | 3.912 |
| | 1.114 | 1.494 | 1.927 | 2.673 |
| | 2.156 | 2.959 | 3.810 | 5.256 |
| 2400 | 1.763 | 2.395 | 3.086 | 4.268 |
| | 1.216 | 1.630 | 2.102 | 2.917 |
| | 2.352 | 3.228 | 4.157 | 5.734 |
| 2600 | | | 3.343 | |
| | | | 2.277 | |
| 2800 | | | 4.503 | |
| | | | 3.601 | |
| 3000 | | | 2.453 | |
| | | | 4.850 | |
| | | | 3.858 | |
| | | 2.628 | | |
| | | 5.196 | | |

| 700 | | | |
|-------|-------|-------|-------|
| 11 | 21 | 22 | 33 |
| 335 | 454 | 582 | 805 |
| 231 | 309 | 396 | 547 |
| 447 | 612 | 784 | 1.085 |
| 418 | 568 | 727 | 1.006 |
| 288 | 386 | 495 | 684 |
| 559 | 765 | 981 | 1.356 |
| 502 | 681 | 873 | 1.207 |
| 346 | 463 | 594 | 821 |
| 670 | 918 | 1.177 | 1.627 |
| 586 | 795 | 1.018 | 1.408 |
| 404 | 541 | 693 | 958 |
| 782 | 1.071 | 1.373 | 1.898 |
| 670 | 908 | 1.164 | 1.609 |
| 462 | 618 | 792 | 1.095 |
| 894 | 1.224 | 1.569 | 2.170 |
| 753 | 1.022 | 1.309 | 1.810 |
| 519 | 695 | 891 | 1.232 |
| 1.005 | 1.377 | 1.765 | 2.441 |
| 837 | 1.135 | 1.455 | 2.011 |
| 577 | 772 | 990 | 1.368 |
| 1.117 | 1.530 | 1.961 | 2.712 |
| 921 | 1.249 | 1.600 | 2.212 |
| 635 | 850 | 1.089 | 1.505 |
| 1.229 | 1.683 | 2.157 | 2.983 |
| 1.004 | 1.362 | 1.745 | 2.413 |
| 693 | 927 | 1.188 | 1.642 |
| 1.340 | 1.836 | 2.353 | 3.254 |
| 1.172 | 1.589 | 2.036 | 2.816 |
| 808 | 1.081 | 1.385 | 1.916 |
| 1.564 | 2.142 | 2.745 | 3.797 |
| 1.339 | 1.816 | 2.328 | 3.218 |
| 924 | 1.236 | 1.584 | 2.189 |
| 1.787 | 2.448 | 3.138 | 4.339 |
| 1.507 | 2.043 | 2.619 | 3.621 |
| 1.039 | 1.390 | 1.782 | 2.463 |
| 2.011 | 2.754 | 3.530 | 4.882 |
| 1.674 | 2.270 | 2.909 | 4.023 |
| 1.155 | 1.545 | 1.980 | 2.737 |
| 2.234 | 3.060 | 3.922 | 5.424 |
| | | | |
| | | | |
| | | | |
| | | | |
| | | | |
| | | | |
| | | | |

| 900 | | | |
|-------|-------|-------|-------|
| 11 | 21 | 22 | 33 |
| 408 | 559 | 709 | 982 |
| 281 | 380 | 482 | 662 |
| 544 | 753 | 958 | 1.334 |
| 510 | 699 | 887 | 1.228 |
| 351 | 476 | 602 | 827 |
| 680 | 942 | 1.198 | 1.667 |
| 612 | 838 | 1.064 | 1.473 |
| 422 | 570 | 722 | 993 |
| 816 | 1.130 | 1.437 | 2.000 |
| 714 | 978 | 1.241 | 1.719 |
| 492 | 665 | 843 | 1.159 |
| 952 | 1.318 | 1.677 | 2.334 |
| 816 | 1.117 | 1.419 | 1.964 |
| 562 | 760 | 963 | 1.324 |
| 1.088 | 1.506 | 1.916 | 2.667 |
| 917 | 1.257 | 1.597 | 2.210 |
| 633 | 856 | 1.084 | 1.490 |
| 1.224 | 1.695 | 2.156 | 3.001 |
| 1.019 | 1.397 | 1.774 | 2.455 |
| 703 | 951 | 1.204 | 1.655 |
| 1.360 | 1.883 | 2.395 | 3.334 |
| 1.121 | 1.536 | 1.950 | 2.700 |
| 773 | 1.045 | 1.324 | 1.820 |
| 1.496 | 2.071 | 2.635 | 3.667 |
| 1.223 | 1.677 | 2.128 | 2.946 |
| 844 | 1.141 | 1.445 | 1.986 |
| 1.632 | 2.260 | 2.874 | 4.001 |
| 1.427 | 1.956 | 2.483 | 3.438 |
| 984 | 1.331 | 1.686 | 2.317 |
| 1.904 | 2.636 | 3.353 | 4.668 |
| 1.631 | 2.235 | 2.838 | 3.928 |
| 1.125 | 1.521 | 1.926 | 2.648 |
| 2.176 | 3.013 | 3.832 | 5.334 |
| 1.835 | 2.514 | 3.192 | 4.419 |
| 1.265 | 1.711 | 2.167 | 2.979 |
| 2.448 | 3.389 | 4.311 | 6.001 |
| 2.039 | 2.794 | 3.547 | 4.910 |
| 1.406 | 1.901 | 2.408 | 3.310 |
| 2.720 | 3.766 | 4.790 | 6.668 |
| | | | |
| | | | |
| | | | |
| | | | |
| | | | |
| | | | |
| | | | |

General information

ACCORD ALL IN

The Accord All In radiator is a panel radiator without upper grille or side panels, made from high-quality steel. A classic icon.

| | |
|-----------------------------|---|
| Product: | a classic panel radiator |
| Finishing: | without upper grille or side panels |
| Also supplied: | L-brackets, screws, plugs, blind plug, air vent and installation instructions |
| Connections: | 4 x ½" female connection |
| Lugs: | 2 pairs of mounting lugs up to 1.600 mm and 3 pairs from 1.800 mm |
| Packaging: | Every radiator is sturdily packaged in high-quality cardboard and wrapped in plastic. The radiator's characteristics are shown on the label: type – height – length. |
| Warranty: | 10 years, as long as the installation instructions have been followed and Stelrad's warranty conditions have been met. |
| Paint process: | All radiators are degreased, phosphated, cataphoretically primed and powder-coated in Stelrad white 9016 as standard. |
| Colours: | Stelrad white 9016 + 35 different Stelrad colours and about 200 RAL-colours are possible |
| Heat cost allocator: | Suitable for heat cost allocators, both electronic and according to the evaporation principle (covered by the norm of EN834 & EN835). |
| Max. operating pressure: | 10 bar (tested to 13 bar) |
| Max. operating temperature: | 110 °C |
| Conformity: | in accordance with EN442 |
| Quality assurance: | NF |
| Types: | 11 21 22 33 |
| Heights: | 300 400 500 600 700 900 mm |
| Lengths: | 400 – 3.000 mm |
| Depths: | 60 77 100 158 mm |

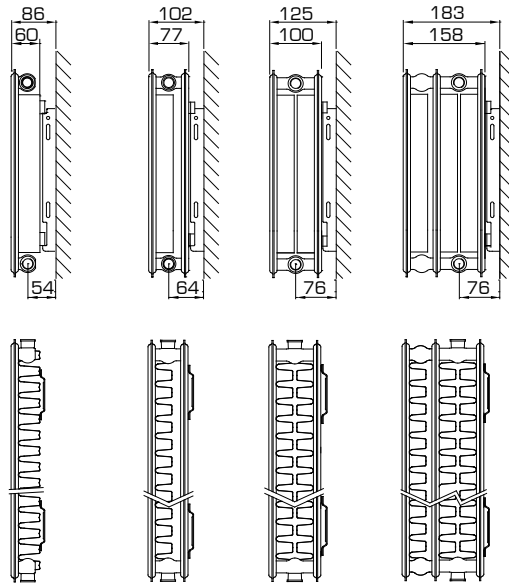


Type overview

Calculation factor
per meter
at 75/65/20°C
according to EN442

Characteristic equation:

$$\Phi = K_M \times \Delta T^n$$



| Height | | Type 11 | Type 21 | Type 22 | Type 33 | Centre distance |
|--------|----------------|---------|---------|---------|---------|-----------------|
| 300 | W | 517 | | 1.012 | 1.418 | 250 |
| | kg | 8,38 | | 15,90 | 23,80 | |
| | l | 1,89 | | 3,70 | 5,40 | |
| | m ² | 2,09 | | 3,51 | 5,26 | |
| | n | 1,31 | | 1,33 | 1,32 | |
| 400 | W | 687 | 1.000 | 1.281 | 1.805 | 350 |
| | kg | 11,68 | 18,78 | 21,83 | 32,67 | |
| | l | 2,34 | 4,67 | 4,67 | 6,87 | |
| | m ² | 2,95 | 3,37 | 4,92 | 7,38 | |
| | n | 1,31 | 1,33 | 1,33 | 1,33 | |
| 500 | W | 848 | 1.210 | 1.535 | 2.169 | 450 |
| | kg | 14,99 | 23,84 | 27,77 | 41,53 | |
| | l | 2,80 | 5,63 | 5,63 | 8,33 | |
| | m ² | 3,80 | 4,31 | 6,33 | 9,49 | |
| | n | 1,30 | 1,33 | 1,33 | 1,34 | |
| 600 | W | 1.000 | 1.409 | 1.778 | 2.514 | 550 |
| | kg | 18,30 | 28,90 | 33,70 | 50,40 | |
| | l | 3,25 | 6,60 | 6,60 | 9,80 | |
| | m ² | 4,66 | 5,24 | 7,74 | 11,61 | |
| | n | 1,29 | 1,33 | 1,33 | 1,35 | |
| 700 | W | 1.142 | 1.597 | 2.011 | 2.841 | 650 |
| | kg | 21,33 | 33,50 | 39,13 | 58,47 | |
| | l | 3,77 | 7,63 | 7,63 | 11,37 | |
| | m ² | 5,51 | 6,18 | 9,15 | 13,72 | |
| | n | 1,29 | 1,34 | 1,34 | 1,35 | |
| 900 | W | 1.397 | 1.941 | 2.453 | 3.448 | 850 |
| | kg | 27,40 | 42,70 | 50,00 | 74,60 | |
| | l | 4,80 | 9,70 | 9,70 | 14,50 | |
| | m ² | 7,22 | 8,05 | 11,97 | 17,96 | |
| | n | 1,29 | 1,36 | 1,35 | 1,37 | |

W=heat output per meter / kg=weight per meter / l=content per meter / m²=surface per meter / n=exponent
The manufacturer reserves the right to alter any of the specifications shown in this document without prior notice.

ACCORD ALL IN

Heat outputs according to EN442



EN442 (W) 70/50/20°C

EN442 (W) 55/45/20°C

EN442 (W) 75/65/20°C

Stelrad_BV/PL24/0020/EC007

| Height | 300 | | |
|-------------|-----|-------|-------|
| | 11 | 22 | 33 |
| 400 | 154 | 301 | 423 |
| | 106 | 205 | 290 |
| | 207 | 405 | 567 |
| 500 | 192 | 376 | 529 |
| | 132 | 256 | 362 |
| | 259 | 506 | 709 |
| 600 | 231 | 451 | 635 |
| | 158 | 307 | 435 |
| | 310 | 607 | 851 |
| 700 | 270 | 526 | 740 |
| | 185 | 358 | 507 |
| | 362 | 708 | 993 |
| 800 | 309 | 602 | 846 |
| | 212 | 410 | 579 |
| | 414 | 810 | 1.134 |
| 900 | 347 | 677 | 951 |
| | 238 | 461 | 652 |
| | 465 | 911 | 1.276 |
| 1000 | 386 | 752 | 1.057 |
| | 264 | 512 | 724 |
| | 517 | 1.012 | 1.418 |
| 1100 | 424 | 827 | 1.163 |
| | 291 | 563 | 797 |
| | 569 | 1.113 | 1.560 |
| 1200 | 462 | 902 | 1.269 |
| | 317 | 614 | 869 |
| | 620 | 1.214 | 1.702 |
| 1400 | 540 | 1.052 | 1.480 |
| | 370 | 717 | 1.014 |
| | 724 | 1.417 | 1.985 |
| 1600 | | 1.202 | 1.692 |
| | | 819 | 1.159 |
| | | 1.619 | 2.269 |
| 1800 | | 1.353 | 1.903 |
| | | 922 | 1.303 |
| | | 1.822 | 2.552 |
| 2000 | | 1.503 | 2.115 |
| | | 1.024 | 1.448 |
| | | 2.024 | 2.836 |
| 2200 | | 1.653 | 2.326 |
| | | 1.127 | 1.593 |
| | | 2.226 | 3.120 |
| 2400 | | 1.804 | 2.537 |
| | | 1.229 | 1.738 |
| | | 2.429 | 3.403 |
| 2600 | | 1.954 | |
| | | 1.332 | |
| | | 2.631 | |
| 2800 | | 2.105 | |
| | | 1.434 | |
| | | 2.834 | |
| 3000 | | 2.255 | |
| | | 1.537 | |
| | | 3.036 | |

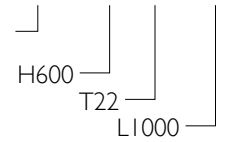
| 400 | | | |
|-------|-------|-------|-------|
| 11 | 21 | 22 | 33 |
| 205 | 297 | 380 | 537 |
| 141 | 203 | 259 | 367 |
| 275 | 400 | 512 | 722 |
| 257 | 372 | 475 | 671 |
| 177 | 254 | 324 | 458 |
| 344 | 500 | 641 | 903 |
| 308 | 446 | 571 | 806 |
| 211 | 304 | 389 | 550 |
| 412 | 600 | 769 | 1.083 |
| 359 | 520 | 666 | 940 |
| 247 | 355 | 454 | 642 |
| 481 | 700 | 897 | 1.264 |
| 411 | 595 | 761 | 1.074 |
| 282 | 406 | 519 | 733 |
| 550 | 800 | 1.025 | 1.444 |
| 462 | 669 | 857 | 1.208 |
| 317 | 457 | 584 | 825 |
| 618 | 900 | 1.153 | 1.625 |
| 513 | 743 | 952 | 1.343 |
| 353 | 507 | 649 | 917 |
| 687 | 1.000 | 1.281 | 1.805 |
| 565 | 818 | 1.047 | 1.477 |
| 388 | 558 | 713 | 1.009 |
| 756 | 1.100 | 1.409 | 1.986 |
| 616 | 892 | 1.142 | 1.611 |
| 423 | 609 | 778 | 1.100 |
| 824 | 1.200 | 1.537 | 2.166 |
| 719 | 1.041 | 1.332 | 1.880 |
| 494 | 710 | 908 | 1.284 |
| 962 | 1.400 | 1.793 | 2.527 |
| 821 | 1.190 | 1.523 | 2.148 |
| 564 | 812 | 1.038 | 1.467 |
| 1.099 | 1.600 | 2.050 | 2.888 |
| 924 | 1.338 | 1.713 | 2.417 |
| 635 | 913 | 1.168 | 1.650 |
| 1.237 | 1.800 | 2.306 | 3.249 |
| 1.027 | 1.487 | 1.903 | 2.685 |
| 705 | 1.015 | 1.297 | 1.834 |
| 1.374 | 2.000 | 2.562 | 3.610 |
| | 1.636 | 2.093 | 2.954 |
| | 1.116 | 1.427 | 2.017 |
| | 2.200 | 2.818 | 3.971 |
| | 1.784 | 2.284 | 3.222 |
| | 1.218 | 1.557 | 2.200 |
| | 2.400 | 3.074 | 4.332 |
| | | 2.474 | |
| | | 1.687 | |
| | | 3.331 | |
| | | 2.665 | |
| | | 1.816 | |
| | | 3.587 | |
| | | 2.855 | |
| | | 1.946 | |
| | | 3.843 | |

| 500 | | | |
|-------|-------|-------|-------|
| 11 | 21 | 22 | 33 |
| 254 | 360 | 456 | 644 |
| 175 | 246 | 311 | 439 |
| 339 | 484 | 614 | 868 |
| 317 | 450 | 571 | 804 |
| 219 | 307 | 389 | 548 |
| 424 | 605 | 768 | 1.085 |
| 381 | 540 | 684 | 965 |
| 262 | 368 | 467 | 657 |
| 509 | 726 | 921 | 1.301 |
| 445 | 630 | 798 | 1.127 |
| 306 | 430 | 544 | 767 |
| 594 | 847 | 1.075 | 1.518 |
| 508 | 720 | 912 | 1.288 |
| 350 | 491 | 622 | 877 |
| 678 | 968 | 1.228 | 1.735 |
| 571 | 810 | 1.027 | 1.449 |
| 393 | 553 | 700 | 986 |
| 763 | 1.089 | 1.382 | 1.952 |
| 635 | 900 | 1.140 | 1.610 |
| 437 | 614 | 778 | 1.096 |
| 848 | 1.210 | 1.535 | 2.169 |
| 699 | 990 | 1.254 | 1.771 |
| 481 | 675 | 855 | 1.205 |
| 933 | 1.331 | 1.689 | 2.386 |
| 762 | 1.080 | 1.369 | 1.932 |
| 525 | 737 | 933 | 1.315 |
| 1.018 | 1.452 | 1.842 | 2.603 |
| 889 | 1.260 | 1.597 | 2.254 |
| 612 | 860 | 1.089 | 1.534 |
| 1.187 | 1.694 | 2.149 | 3.037 |
| 1.016 | 1.440 | 1.825 | 2.575 |
| 700 | 983 | 1.244 | 1.753 |
| 1.357 | 1.936 | 2.456 | 3.470 |
| 1.143 | 1.619 | 2.053 | 2.897 |
| 787 | 1.105 | 1.400 | 1.972 |
| 1.526 | 2.178 | 2.763 | 3.904 |
| 1.270 | 1.799 | 2.281 | 3.219 |
| 874 | 1.228 | 1.555 | 2.192 |
| 1.696 | 2.420 | 3.070 | 4.338 |
| 1.397 | 1.979 | 2.509 | 3.541 |
| 962 | 1.351 | 1.711 | 2.411 |
| 1.866 | 2.662 | 3.377 | 4.772 |
| 1.524 | 2.159 | 2.737 | 3.863 |
| 1.049 | 1.474 | 1.866 | 2.630 |
| 2.035 | 2.904 | 3.684 | 5.206 |
| | | 2.965 | |
| | | 2.022 | |
| | | 3.991 | |
| | | 3.193 | |
| | | 2.177 | |
| | | 4.298 | |
| | | 3.421 | |
| | | 2.333 | |
| | | 4.605 | |

Core assortment (Stelrad white 9016) available ex factory within 10 days.
 Core assortment is subject to change, please refer to www.stelrad.eu for the latest information.
 Delivery time depends on the model, please refer to your distributor.

ACCORD ALL IN

On the label: Art. 0601 06 22 10
4-CONNECTIONS NAKED ALL IN T11-33: 0601



| Height | 600 | | | |
|-------------|-------------------------|-------------------------|-------------------------|-------------------------|
| | 11 | 21 | 22 | 33 |
| 400 | 300 207 400 | 419 286 564 | 528 360 711 | 745 505 1.006 |
| 500 | 375 259 500 | 524 357 705 | 661 451 889 | 931 632 1.257 |
| 600 | 450 311 600 | 628 429 845 | 793 541 1.067 | 1.116 758 1.508 |
| 700 | 525 363 700 | 733 501 986 | 925 631 1.245 | 1.303 884 1.760 |
| 800 | 600 414 800 | 838 572 1.127 | 1.057 721 1.422 | 1.489 1.010 2.011 |
| 900 | 675 466 900 | 943 644 1.268 | 1.189 811 1.600 | 1.675 1.137 2.263 |
| 1000 | 750 518 1.000 | 1.048 715 1.409 | 1.321 901 1.778 | 1.861 1.263 2.514 |
| 1100 | 825 570 1.100 | 1.153 787 1.550 | 1.454 991 1.956 | 2.047 1.389 2.765 |
| 1200 | 900 621 1.200 | 1.258 858 1.691 | 1.586 1.081 2.134 | 2.234 1.516 3.017 |
| 1400 | 1.050 725 1.400 | 1.467 1.002 1.973 | 1.850 1.261 2.489 | 2.606 1.769 3.520 |
| 1600 | 1.200 829 1.600 | 1.676 1.144 2.254 | 2.114 1.442 2.845 | 2.978 2.021 4.022 |
| 1800 | 1.350 932 1.800 | 1.886 1.287 2.536 | 2.378 1.622 3.200 | 3.350 2.274 4.525 |
| 2000 | 1.500 1.036 2.000 | 2.096 1.431 2.818 | 2.642 1.802 3.556 | 3.722 2.526 5.028 |
| 2200 | 1.650 1.139 2.200 | 2.305 1.574 3.100 | 2.907 1.982 3.912 | 4.095 2.779 5.531 |
| 2400 | 1.800 1.243 2.400 | 2.515 1.717 3.382 | 3.171 2.162 4.267 | 4.467 3.032 6.034 |
| 2600 | | | 3.435 2.343 4.623 | |
| 2800 | | | 3.699 2.523 4.978 | |
| 3000 | | | 3.964 2.703 5.334 | |

| 700 | | | |
|-------------------------|-------------------------|-------------------------|-------------------------|
| 11 | 21 | 22 | 33 |
| 343 237 457 | 474 323 639 | 597 406 804 | 840 569 1.136 |
| 428 296 571 | 592 403 799 | 747 508 1.006 | 1.050 711 1.421 |
| 514 355 685 | 711 484 958 | 896 610 1.207 | 1.260 854 1.705 |
| 599 414 799 | 830 565 1.118 | 1.045 711 1.408 | 1.470 996 1.989 |
| 686 473 914 | 948 646 1.278 | 1.194 813 1.609 | 1.680 1.138 2.273 |
| 771 532 1.028 | 1.066 726 1.437 | 1.343 914 1.810 | 1.890 1.280 2.557 |
| 857 591 1.142 | 1.185 807 1.597 | 1.492 1.016 2.011 | 2.100 1.422 2.841 |
| 942 650 1.256 | 1.304 888 1.757 | 1.641 1.117 2.212 | 2.310 1.564 3.125 |
| 1.028 709 1.370 | 1.422 968 1.916 | 1.791 1.219 2.413 | 2.520 1.707 3.409 |
| 1.199 828 1.599 | 1.659 1.130 2.236 | 2.089 1.422 2.815 | 2.940 1.991 3.977 |
| 1.370 946 1.827 | 1.896 1.291 2.555 | 2.388 1.626 3.218 | 3.360 2.276 4.546 |
| 1.542 1.064 2.056 | 2.134 1.452 2.875 | 2.686 1.829 3.620 | 3.780 2.560 5.114 |
| 1.713 1.182 2.284 | 2.370 1.614 3.194 | 2.985 2.032 4.022 | 4.200 2.845 5.682 |
| | | | |
| | | | |
| | | | |
| | | | |
| | | | |
| | | | |

| 900 | | | |
|-------------------------|-------------------------|-------------------------|-------------------------|
| 11 | 21 | 22 | 33 |
| 419 289 559 | 573 388 776 | 726 492 981 | 1.016 685 1.379 |
| 523 361 699 | 717 485 971 | 907 615 1.227 | 1.270 857 1.724 |
| 628 433 838 | 861 583 1.165 | 1.089 739 1.472 | 1.524 1.028 2.069 |
| 733 506 978 | 1.004 680 1.359 | 1.271 862 1.717 | 1.779 1.200 2.414 |
| 838 578 1.118 | 1.148 777 1.553 | 1.452 985 1.962 | 2.032 1.371 2.758 |
| 942 650 1.257 | 1.291 874 1.747 | 1.634 1.108 2.208 | 2.286 1.542 3.103 |
| 1.047 723 1.397 | 1.434 971 1.941 | 1.815 1.231 2.453 | 2.540 1.713 3.448 |
| 1.152 795 1.537 | 1.578 1.068 2.135 | 1.997 1.354 2.698 | 2.795 1.885 3.793 |
| 1.257 867 1.676 | 1.721 1.165 2.329 | 2.179 1.478 2.944 | 3.049 2.056 4.138 |
| 1.467 1.012 1.956 | 2.008 1.359 2.717 | 2.541 1.724 3.434 | 3.556 2.399 4.827 |
| 1.676 1.156 2.235 | 2.295 1.554 3.106 | 2.904 1.970 3.925 | 4.065 2.742 5.517 |
| 1.886 1.301 2.515 | 2.582 1.748 3.494 | 3.267 2.216 4.415 | 4.572 3.084 6.206 |
| 2.095 1.445 2.794 | 2.869 1.942 3.882 | 3.630 2.462 4.906 | 5.081 3.427 6.886 |
| | | | |
| | | | |
| | | | |
| | | | |
| | | | |

General information

VERTEX PLAN E

The Vertex Plan E combines the advantages of a vertical electric radiator with a sleek and decorative appearance. With its space-saving design, it is very useful in small spaces and with its flat front it stands out in the most beautiful interiors.

| | |
|---------------------|---|
| Product: | decorative electrical vertical panel radiator with a flat front |
| Pre-installed: | prefilled with heating liquid. RF receiver mounted including 0,8 m of insulated cable with power plug. |
| Also supplied: | wall brackets, ETA safety screws and plugs, screws, plugs, installation instructions and RF thermostat |
| Lugs: | no lugs |
| Packaging: | Every radiator is sturdily packaged in high-quality cardboard and wrapped in plastic. The radiator's characteristics are shown on the label: Electric power – height – length. |
| Warranty: | 10 years for the radiator and 2 years for the electrical components, as long as the installation instructions have been followed and Stelrad's warranty conditions have been met. |
| Paint process: | All radiators are degreased, phosphated, primed and powder-coated in Stelrad white 9016 as standard. |
| Colours: | Stelrad white 9016 + 35 different Stelrad colours and about 200 RAL-colours are possible |
| Colour RF-receiver: | White for all radiators in Stelrad white 9016, A9010, A9003, NT110, NT120, SNI10. Grey for all other colours. |
| Conformity: | EcoDesign 2018 (EU Regulation 2015/1188) |
| Technical data: | Voltage 220-240V ~50Hz, IPX4, Class II |
| Type: | II |
| Height: | 1.800 mm |
| Lengths: | 500 600 700 mm |
| Output: | 1.250 1.500 1.750 watt |

| HI800 | | | |
|--------|-------------|-------------|-------------|
| Length | L 500 | L 600 | L 700 |
| W | 1.250W | 1.500W | 1.750W |
| Art.N° | 0275A181105 | 0275A181106 | 0275A181107 |



RF Thermostat

ECODESIGN
2018 COMPLIANT



Intelligent RF Thermostat

| | |
|-----------------------------|--|
| Temperature setting: | Adjustable from + 10 °C to + 30 °C |
| 4 possible operating modes: | Auto (programming), Comfort, Eco, Frost protection |
| General usage: | Choice of 2 application types: |

Living room

7-day program: programming switches between Comfort and Eco. One temperature for Comfort and one for Eco can be set, with a maximum adjustable difference of 5 °C between the two.

Super Comfort function: the temperature is increased by 2 °C, adjustable from 20 to 120 minutes. Manually or via weekly program.

Bathroom

7-day program: programming switches between Comfort and Boost. The Boost can be programmed up to twice a day. Boost: the radiator delivers full power for a maximum of 60 minutes or until a maximum set ambient temperature is reached.

Open window detection: Automatic switch to frost protection mode when a significant temperature drop is detected.

Child safety: The control panel can be locked.

Control: Connection to the radiator is quick and easy. Can control multiple radiators. Ergonomic: backlit display, adjustment is simple and intuitive.

General information

VERTEX E

The Vertex E is the electric version of our Vertex vertical radiator. It saves space due to its vertical design and only needs a socket to quickly achieve a high heat output.

| | |
|---------------------|---|
| Product: | electrical vertical panel radiator |
| Pre-installed: | prefilled with heating liquid. RF receiver mounted including 0,8 m of insulated cable with power plug. |
| Also supplied: | wall brackets, ETA safety screws and plugs, screws, plugs, installation instructions and RF thermostat |
| Lugs: | no lugs |
| Packaging: | Every radiator is sturdily packaged in high-quality cardboard and wrapped in plastic. The radiator's characteristics are shown on the label: Electric power – height – length. |
| Warranty: | 10 years for the radiator and 2 years for the electrical components, as long as the installation instructions have been followed and Stelrad's warranty conditions have been met. |
| Paint process: | All radiators are degreased, phosphated, primed and powder-coated in Stelrad white 9016 as standard. |
| Colours: | Stelrad white 9016 + 35 different Stelrad colours and about 200 RAL-colours are possible |
| Colour RF-receiver: | White for all radiators in Stelrad white 9016, A9010, A9003, NT110, NT120, SNI10. Grey for all other colours. |
| Conformity: | EcoDesign 2018 (EU Regulation 2015/1188) |
| Technical data: | Voltage 220-240V ~50Hz, IPX4, Class II |
| Type: | II |
| Height: | 1.800 mm |
| Lengths: | 500 600 700 mm |
| Output: | 1.250 1.500 1.750 watt |

| HI800 | | | |
|--------|-------------|-------------|-------------|
| Length | L 500 | L 600 | L 700 |
| W | 1.250W | 1.500W | 1.750W |
| Art.N° | 0274A181105 | 0274A181106 | 0274A181107 |



RF Thermostat

ECODESIGN
2018 COMPLIANT



Intelligent RF Thermostat

| | |
|-----------------------------|--|
| Temperature setting: | Adjustable from + 10 °C to + 30 °C |
| 4 possible operating modes: | Auto (programming), Comfort, Eco, Frost protection |
| General usage: | Choice of 2 application types: |
| | <u>Living room</u> |
| | 7-day program: programming switches between Comfort and Eco. One temperature for Comfort and one for Eco can be set, with a maximum adjustable difference of 5 °C between the two. |
| | Super Comfort function: the temperature is increased by 2 °C, adjustable from 20 to 120 minutes. Manually or via weekly program. |
| | <u>Bathroom</u> |
| | 7-day program: programming switches between Comfort and Boost. The Boost can be programmed up to twice a day. Boost: the radiator delivers full power for a maximum of 60 minutes or until a maximum set ambient temperature is reached. |
| Open window detection: | Automatic switch to frost protection mode when a significant temperature drop is detected. |
| Child safety: | The control panel can be locked. |
| Control: | Connection to the radiator is quick and easy. Can control multiple radiators. Ergonomic: backlit display, adjustment is simple and intuitive. |

Mounting and installation

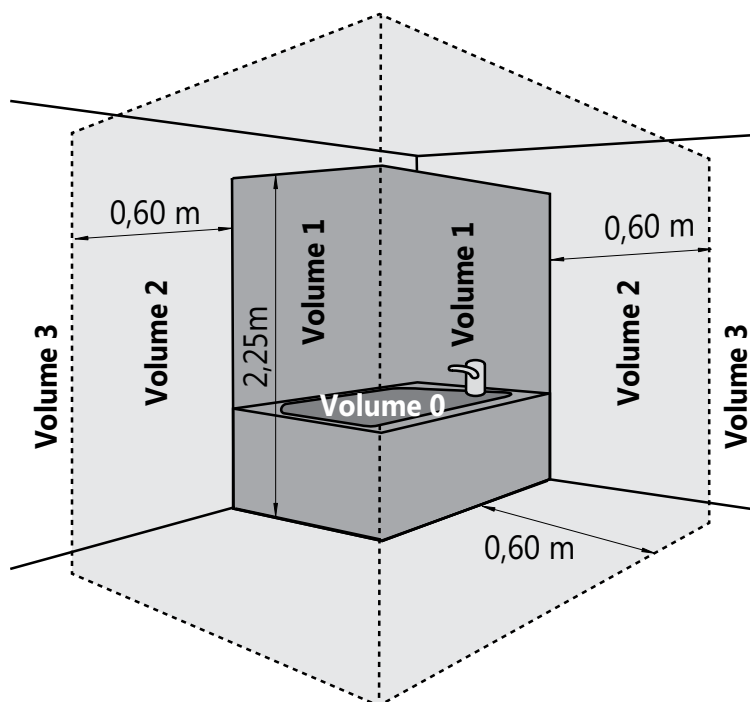
Since our electrical radiators are class II heaters with an IPX4 protection rating, they can be installed as such, in volume 2 or 3 of the bathroom (see figure), provided that they are shielded from water splashes, that the radiators are out reach of persons in the bath or under the shower.

Furthermore, when installed in volume 2, the radiator must additionally be shielded by means of a fixed wall. The battery operated thermostat should be positioned in volume 3 and out of water splash range (IP20). The radiator must be installed with the heating element vertically and the electrical wire in the lower section. It is prohibited to install the device with the electrical wire in the upper section or with the heating element horizontally. A radiator with wall socket should be plugged in a wall socket placed in volume 3.

The appliance is insulated according to class II and is therefore not earthed. It needs to be powered by a single-phased current of 230V~50Hz.

Please connect the 3 main wires as follows:

- brown wire = phase;
- blue wire = neutral,
- black wire = control wire.



ATTENTION:

The control wire must be insulated if not in use. Malfunctioning control units need to be replaced by an identical model after consulting your wholesaler. When replacing the control unit by a different model, both warranty and conformity with the safety regulations will be void.

Mounting and installation

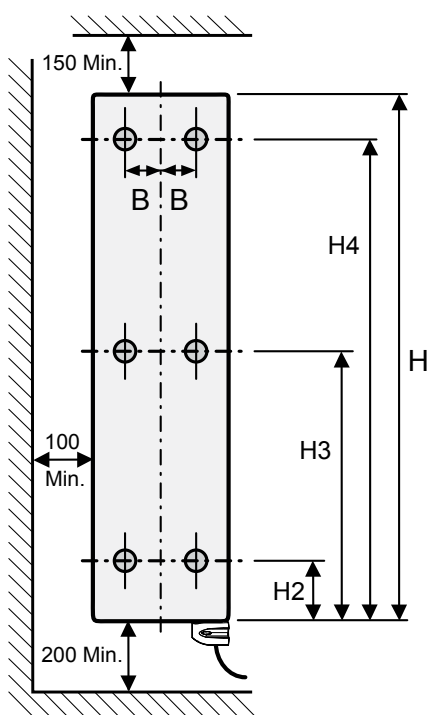
The radiator must be installed with the heating element vertical and the electrical wire in the lower section.

It is prohibited to install the device with the control box in the upper section or with the heating element horizontal.

The device is class II insulated and, therefore, it cannot be earthed.

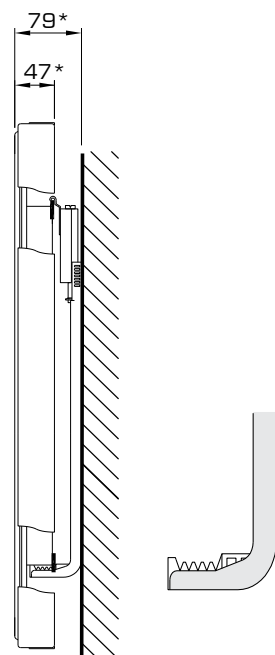
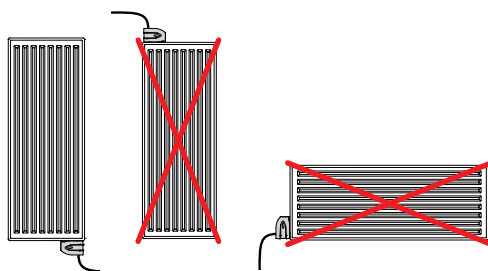
The device should be powered by a single-phase current of 220-240V ~ 50 Hz.

Vertex Plan E · Vertex E



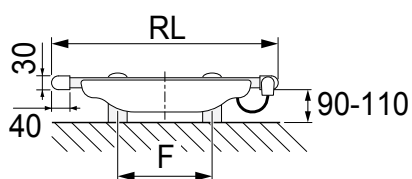
| Length | B |
|--------|-----|
| L 500 | 130 |
| L 600 | 180 |
| L 700 | 230 |

| Height | H2 | H3 | H4 |
|-------------|-----|-----|------|
| 1800 | 160 | 830 | 1500 |



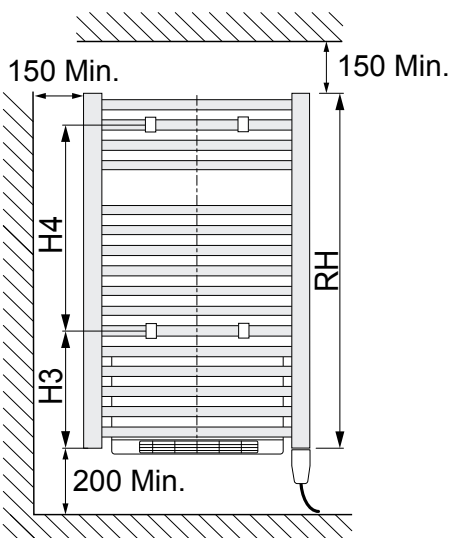
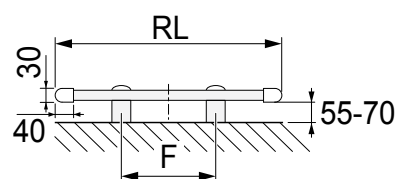
*Vertex Plan E: +2 mm

Dahlia E-VENTO

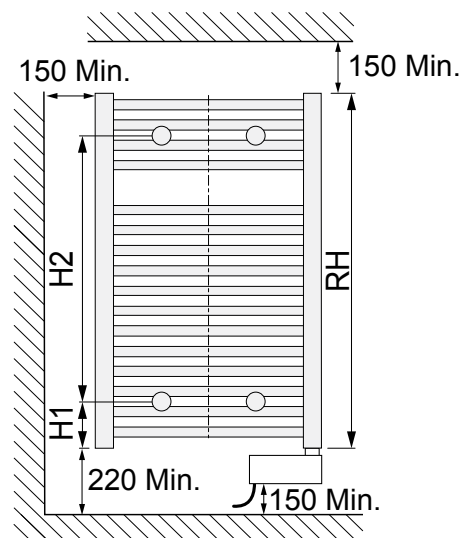
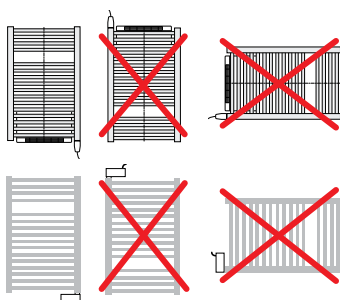


| RL | F |
|-----|-----|
| 400 | 225 |
| 450 | 275 |
| 495 | 320 |
| 585 | 410 |

Dahlia E



| RH | HI | H2 | H3 | H4 |
|------|-----|------|-----|------|
| 775 | 102 | 582 | 255 | 450 |
| 1181 | 102 | 988 | 255 | 856 |
| 1411 | 102 | 1218 | 255 | 1068 |
| 1763 | 102 | 1570 | 255 | 1438 |



General information

DAHLIA E-VENTO

The Dahlia E-VENTO is an electric radiator with integrated blower unit that provides extra heat emission (950 watts). After the simple assembly and insertion of the plug, the radiator is ready for use and you can enjoy a pleasant heat within a few minutes.

| | |
|------------------|--|
| Product: | Electrical classic bathroom radiator with integrated blower unit |
| Pre-installed: | Pre-filled with heating fluid. Equipped with thermostat, 950 watt PTC blower and 1,2 m insulated cable with plug. |
| Also supplied: | Brackets, screws, plugs and manual. |
| Control: | Control via integrated thermostat with automatic self-learning weekly programming, open window detection, presence detection and boost function. RF receiver for optional remote control. |
| Packaging: | Every radiator is sturdily packaged in high-quality cardboard and wrapped in plastic. The radiator's characteristics are shown on the label: type – height – length. |
| Warranty: | 10 years for the radiator and 2 years for the electrical components, as long as the installation instructions have been followed, Stelrad's warranty conditions have been met and the radiator is installed outside the splash area. |
| Paint process: | All radiators are degreased, phosphated, primed and powder-coated in Stelrad white 9016 as standard. |
| Colours: | Stelrad white 9016 + 35 different Stelrad colours and about 200 RAL-colours are possible |
| Colour blower: | White for all radiators in Stelrad white 9016, A9010, A9003, NT110, NT120, SNI 10. Grey for all other colours. |
| Conformity: | EcoDesign 2018 (EU Regulation 2015/1188) |
| Technical data: | Voltage 220-240V ~50Hz, IPX4, Class II |
| Heights: | 775 1.181 1.411 1.763 mm |
| Number of tubes: | 16 24 28 36 |
| Lengths: | 495 585 mm |
| Heat outputs: | 1.350 1.550 1.650 1.850 1.950 watt |
| Tubes: | horizontal, O-section, diameter of 22 mm |

| Length | | 495 | 585 |
|--------|---------|-----------|-----------|
| H775 | W | | 1.350 W |
| | Tubes | | 16 |
| | Art.N°: | | 0184B0002 |
| H1181 | W | 1.550 W | 1.650 W |
| | Tubes | 24 | 24 |
| | Art.N°: | 0184B0004 | 0184B0005 |
| H1411 | W | 1.650 W | 1.850 W |
| | Tubes | 28 | 28 |
| | Art.N°: | 0184B0010 | 0184B0011 |
| H1763 | W | 1.950 W | 1.950 W |
| | Tubes | 36 | 36 |
| | Art.N°: | 0184B0007 | 0184B0008 |



optional
RF remote control

Art.
T5003

ECODESIGN
2018 COMPLIANT



Intelligent Thermostat

- Electronic PID control with microprocessor.
- Ergonomic: backlit display which is easy and intuitive to set.
- 6 Different factory presets: Auto / Comfort / Eco / Boost / Frost protection / Standby
- 7 Day program: possibility to assign 1 of 5 different profiles to each day.
- Energy consumption indicator on display.
- Open window detection: automatically switching to frost protection mode when the device detects a significant drop in temperature.
- Self-learning function: the device can get to know your needs and adjust its programs to you by means of presence detection.
- Boost: adjustable between 5 and 90 minutes in 5 minute intervals.
- A safety feature prevents the room temperature from getting too high (Boost mode).
- Child anti-tamper: the control panel can be locked.
- Active memory: permanent backup of the settings, date and time up to 16 hours.
- Sound signal when changing between standby and active mode.
- Radio frequency remote control (optional).

General information

DAHLIA E

With the electrical version of the Dahlia radiator a new era is upon us. Nowadays alternative energy sources also get more interest next to the traditional hydraulic heating. The Dahlia E is Stelrad's answer to this evolution.

| | |
|--------------------|--|
| Product: | Electrical classic bathroom radiator |
| Pre-installed: | Prefilled with heating liquid and including mounted thermostat. Available as a version with 0,8 m insulated cable without plug and as a version with 1,2 m insulated cable with plug. |
| Also supplied: | Brackets, screws, plugs and manual |
| Control: | Operated via integrated thermostat with weekly programming, open window detection and boost function. IR receiver for the optional remote control. |
| Packaging: | Every radiator is sturdily packaged in high-quality cardboard and wrapped in plastic. The radiator's characteristics are shown on the label: type – height – length. |
| Warranty: | 10 years for the radiator and 2 years for the electrical components, as long as the installation instructions have been followed, Stelrad's warranty conditions have been met and the radiator is installed outside the splash area. |
| Paint process: | All radiators are degreased, phosphated, primed and powder-coated in Stelrad white 9016 as standard. |
| Colours: | Stelrad white 9016 + 35 different Stelrad colours and about 200 RAL-colours are possible |
| Colour controller: | White for all radiators in Stelrad white 9016, A9010, A9003, NT110, NT120, SNI10. Grey for all other colours. |
| Conformity: | EcoDesign 2018 (EU Regulation 2015/1188) |
| Technical data: | Voltage 230V ~50Hz, IP44, Class II. |
| Heights: | 775 1.181 1.411 1.763 mm |
| Number of tubes: | 16 24 28 36 |
| Lengths: | 400 450 495 585 mm |
| Heat outputs: | 400 500 600 700 900 1.000 watt |
| Tubes: | horizontal, O-section, diameter of 22 mm |

| Length | | 400 | 450 | 495 | 585 |
|--------|--------|------------------------|------------------------|------------------------|------------------------|
| H775 | W | | | | 400W |
| | Tubes | | | | 16 |
| | Art.N° | | | | 0184A0002 0184C0002 |
| H1181 | W | 400W | 500W | 600W | 700W |
| | Tubes | 24 | 24 | 24 | 24 |
| | Art.N° | 0184A0016 0184C0016 | 0184A0017 0184C0017 | 0184A0004 0184C0004 | 0184A0005 0184C0005 |
| H1411 | W | 500W | 600W | 700W | 900W |
| | Tubes | 28 | 28 | 28 | 28 |
| | Art.N° | 0184A0018 0184C0018 | 0184A0019 0184C0019 | 0184A0010 0184C0010 | 0184A0011 0184C0011 |
| H1763 | W | | | 1.000W | 1.000W |
| | Tubes | | | 36 | 36 |
| | Art.N° | | | 0184A0007 0184C0007 | 0184A0008 0184C0008 |



Art.
T5001

optional
IR remote control



ECODESIGN
2018 COMPLIANT



Intelligent Thermostat

- Electronic PID control with microprocessor.
- A safety feature prevents the room temperature from getting too high (Boost mode).
- Sound signal when changing between standby and active mode.
- Ergonomic: backlit display which is easy and intuitive to set.
- Boost: adjustable between 5 and 90 minutes.
- Infrared remote control (optional): supplied with a wall mount.
- Energy consumption indicator: in kWh
- Open window detection: automatically switching to frost protection mode when the device detects a significant drop in temperature.
- 7 Day program: possibility to assign 5 different profiles to each day.
- 6 Different factory presets: Auto / Comfort / Eco / Boost / Frost protection / Standby
- Child anti-tamper: the control panel can be locked.
- Active memory: permanent backup of the settings, date and time up to 3 hours.

BATHROOM RANGE

General information



EN442 (W) 70/50/20°C

EN442 (W) 55/45/20°C

EN442 (W) 75/65/20°C

DAHLIA | DAHLIA CT

The Dahlia is a traditional bathroom radiator that retains the timeless character of the bathroom with its simplicity and symmetry of straight, round tubes and D-shaped collectors. This radiator can also be used as a partition wall to create separate areas. Also available with a centre connection.

Product: the classic bathroom radiator, also available with a centre connection

Also supplied: 4 wall brackets, screws, plugs, air vent, blind plugs and installation instructions

Connections: 4 x 1/2" female connection (6 x 1/2" if with centre connection)

Packaging: Every radiator is sturdily packaged in high-quality cardboard and wrapped in plastic. The radiator's characteristics are shown on the label: type – height – length.

Warranty: 10 years, as long as the installation instructions have been followed, Stelrad's warranty conditions have been met and the radiator is installed outside the splash area.

Paint process: All radiators are degreased, phosphated and powder-coated in Stelrad white 9016 as standard.

Colours: Stelrad white 9016 + 35 different Stelrad colours and about 200 RAL-colours are possible

Max. operating pressure: 10 bar (tested to 13 bar)

Max. operating temperature: 95 °C

Conformity: in accordance with EN442

Heights: 775 | 1.181 | 1.411 | 1.763 | 1.993 mm

Number of tubes: 16 | 24 | 28 | 36 | 40

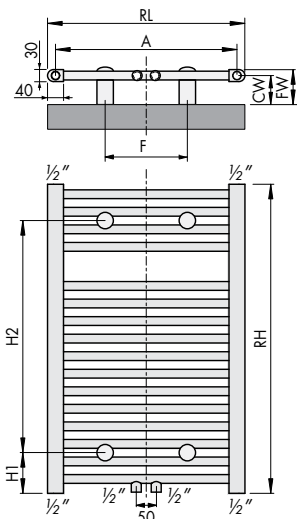
Lengths: 400 | 450 | 495 | 585 | 737 mm

Tubes: horizontal, O-section, diameter 22 mm

Collector: vertical, D-section

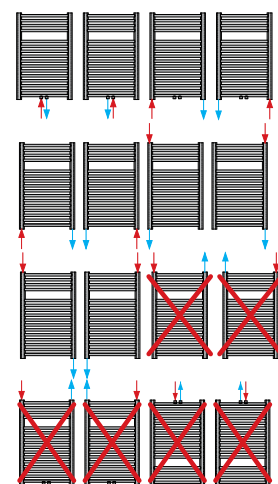


| Length | 400 | 450 | 495 | 585 | 737 | |
|--------------|----------------|----------|----------|----------|----------|-------|
| H775 | VV | | 278 | 321 | 393 | |
| | VW | | 194 | 223 | 274 | |
| | WW | | 367 | 425 | 520 | |
| | kg | | 5,40 | 6,10 | 7,20 | |
| | l | | 3,60 | 4,00 | 4,70 | |
| | m ² | | 0,64 | 0,74 | 0,91 | |
| | n | | 1,25 | 1,26 | 1,25 | |
| Tubes | | 16 | 16 | 16 | | |
| Art.N° | | | 01840001 | 01840002 | 01840003 | |
| CT | | | 01840101 | 01840102 | 01840103 | |
| H1181 | VV | 336 | 375 | 409 | 474 | 581 |
| | VW | 234 | 261 | 285 | 330 | 406 |
| | WW | 445 | 496 | 541 | 627 | 768 |
| | kg | 6,80 | 7,43 | 8,00 | 9,10 | 10,80 |
| | l | 4,65 | 5,04 | 5,40 | 6,00 | 7,10 |
| | m ² | 0,81 | 0,90 | 0,97 | 1,12 | 1,37 |
| | n | 1,26 | 1,26 | 1,26 | 1,25 | 1,25 |
| Tubes | 24 | 24 | 24 | 24 | 24 | |
| Art.N° | 01840016 | 01840017 | 01840004 | 01840005 | 01840006 | |
| CT | 01840116 | 01840117 | 01840104 | 01840105 | 01840106 | |
| H1411 | VV | 400 | 446 | 486 | 563 | 691 |
| | VW | 279 | 310 | 338 | 392 | 482 |
| | WW | 529 | 590 | 644 | 746 | 914 |
| | kg | 7,65 | 8,68 | 9,40 | 10,70 | 12,70 |
| | l | 5,52 | 5,90 | 6,40 | 7,20 | 8,50 |
| | m ² | 0,96 | 1,05 | 1,14 | 1,31 | 1,61 |
| | n | 1,25 | 1,26 | 1,26 | 1,26 | 1,25 |
| Tubes | 28 | 28 | 28 | 28 | 28 | |
| Art.N° | 01840018 | 01840019 | 01840010 | 01840011 | 01840012 | |
| CT | 01840118 | 01840119 | 01840110 | 01840111 | 01840112 | |
| H1763 | VV | | 608 | 704 | 864 | |
| | VW | | 422 | 489 | 601 | |
| | WW | | 807 | 934 | 1.145 | |
| | kg | | 11,90 | 13,60 | 16,10 | |
| | l | | 8,00 | 9,00 | 10,60 | |
| | m ² | | 1,45 | 1,68 | 2,06 | |
| | n | | 1,27 | 1,27 | 1,26 | |
| Tubes | | 36 | 36 | 36 | | |
| Art.N° | | 01840007 | 01840008 | 01840009 | | |
| CT | | 01840107 | 01840108 | 01840109 | | |
| H1993 | VV | | 695 | 806 | 989 | |
| | VW | | 486 | 564 | 693 | |
| | WW | | 918 | 1.064 | 1.303 | |
| | kg | | 13,40 | 15,20 | 18,00 | |
| | l | | 9,20 | 10,30 | 12,30 | |
| | m ² | | 1,62 | 1,87 | 2,29 | |
| | n | | 1,25 | 1,24 | 1,24 | |
| Tubes | | 40 | 40 | 40 | | |
| Art.N° | | 01840013 | 01840014 | 01840015 | | |
| CT | | 01840113 | 01840114 | 01840115 | | |



| RH | HI | H2 |
|------|-----|------|
| 775 | 102 | 582 |
| 1181 | 102 | 988 |
| 1411 | 102 | 1218 |
| 1763 | 102 | 1570 |
| 1993 | 102 | 1800 |

| RL | A | F | CW | FW |
|-----|-----|-----|-------|--------|
| 400 | 360 | 225 | 70-85 | 85-100 |
| 450 | 410 | 275 | 70-85 | 85-100 |
| 495 | 455 | 320 | 70-85 | 85-100 |
| 585 | 545 | 410 | 70-85 | 85-100 |
| 737 | 697 | 560 | 70-85 | 85-100 |



General information



EN442 (W) 70/50/20°C

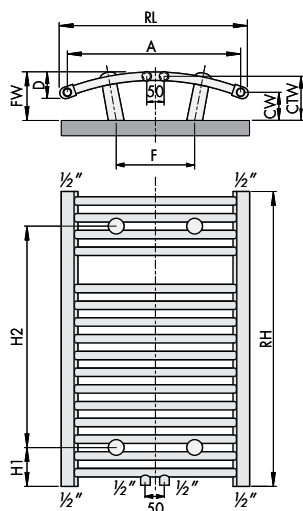
EN442 (W) 55/45/20°C

EN442 (W) 75/65/20°C

VALERIANA | VALERIANA CT

A bathroom is often also a place for slowing down, beauty and relaxation. The Valeriana bathroom radiator enhances this feeling of wellbeing in its own way with its aesthetic design. This Stelrad Valeriana radiator with its curved and round tubes emphasises elegance, and with its discreet presence ensures your heating comfort. Also available with a centre connection.

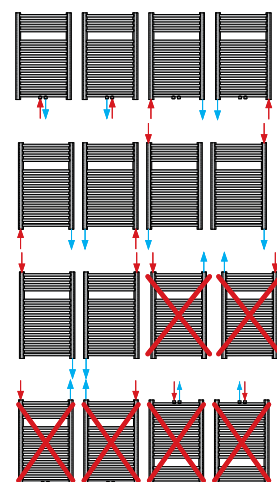
- Product:** elegant bathroom radiator, also available with a centre connection
- Also supplied:** 4 wall brackets, screws, plugs, air vent blind plugs and installation instructions
- Connections:** 4 x 1/2" female connection (6 x 1/2" if with centre connection)
- Packaging:** Every radiator is sturdily packaged in high-quality cardboard and wrapped in plastic. The radiator's characteristics are shown on the label: type – height – length.
- Warranty:** 10 years, as long as the installation instructions have been followed, Stelrad's warranty conditions have been met and the radiator is installed outside the splash area.
- Paint process:** All radiators are degreased, phosphated and powder-coated in Stelrad white 9016 as standard.
- Colours:** Stelrad white 9016 + 35 different Stelrad colours and about 200 RAL-colours are possible
- Max. operating pressure:** 10 bar (tested to 13 bar)
- Max. operating temperature:** 95 °C
- Conformity:** in accordance with EN442
- Heights:** 775 | 1.181 | 1.763 mm
- Number of tubes:** 16 | 24 | 36
- Lengths:** 495 | 585 | 737 mm
- Tubes:** horizontal, curved, O-section, diameter 22 mm
- Collector:** vertical, D-section



| RH | H1 | H2 |
|------|-----|------|
| 775 | 102 | 582 |
| 1181 | 102 | 988 |
| 1763 | 102 | 1570 |

| RL | A | F | CW | FW | CTW | D |
|-----|-----|-----|-------|---------|---------|----|
| 495 | 455 | 236 | 60-75 | 100-115 | 85-100 | 50 |
| 585 | 545 | 326 | 60-75 | 105-120 | 90-105 | 60 |
| 737 | 697 | 478 | 60-75 | 115-130 | 100-115 | 70 |

| Length | 495 | 585 | 737 | |
|--------|----------------|----------|----------|----------|
| H775 | W | 278 | 321 | 393 |
| | W | 194 | 223 | 274 |
| | W | 367 | 425 | 520 |
| | kg | 5,40 | 6,10 | 7,20 |
| | l | 3,60 | 4,00 | 4,70 |
| | m ² | 0,64 | 0,74 | 0,91 |
| | n | 1,25 | 1,26 | 1,25 |
| | Tubes | 16 | 16 | 16 |
| | ArtN°: | 01850001 | 01850002 | 01850003 |
| | CT | 01850101 | 01850102 | 01850103 |
| H1181 | W | 409 | 474 | 581 |
| | W | 285 | 330 | 406 |
| | W | 541 | 627 | 768 |
| | kg | 8,00 | 9,10 | 10,80 |
| | l | 5,40 | 6,00 | 7,10 |
| | m ² | 0,97 | 1,12 | 1,37 |
| | n | 1,26 | 1,25 | 1,25 |
| | Tubes | 24 | 24 | 24 |
| | ArtN°: | 01850004 | 01850005 | 01850006 |
| | CT | 01850104 | 01850105 | 01850106 |
| H1763 | W | 608 | 704 | 864 |
| | W | 422 | 489 | 601 |
| | W | 807 | 934 | 1.145 |
| | kg | 11,90 | 13,60 | 16,10 |
| | l | 8,00 | 9,00 | 10,60 |
| | m ² | 1,45 | 1,68 | 2,06 |
| | n | 1,27 | 1,27 | 1,26 |
| | Tubes | 36 | 36 | 36 |
| | ArtN°: | 01850007 | 01850008 | 01850009 |
| | CT | 01850107 | 01850108 | 01850109 |



HEATING ELEMENT FOR BATHROOM RADIATORS

Dahlia · Dahlia CT · Valeriana · Valeriana CT

- heating element class I or class II, IP54
- ON/OFF switch and 1/2" connection.

Use only in vertical position

WHEN USING THE HEATING ELEMENT:

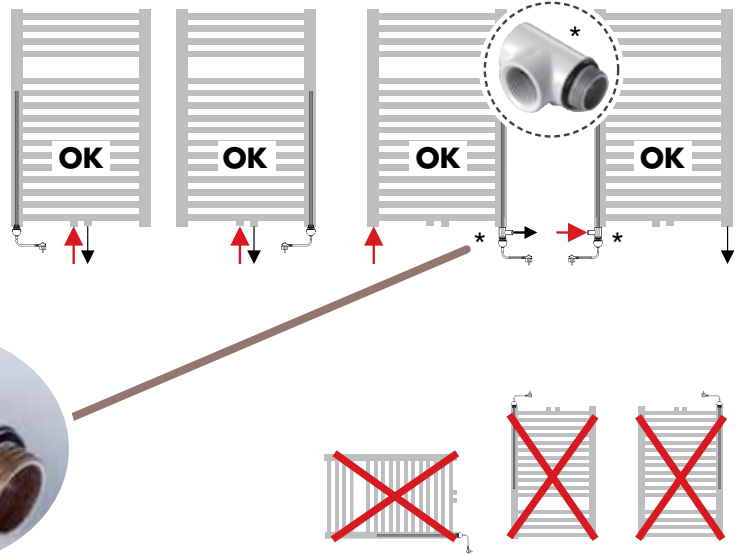
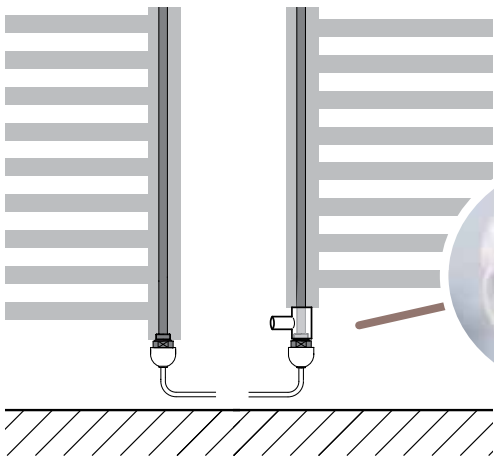
- close radiator inlet
- radiator outlet must remain open

Can only be used in radiators operating in a central heating system.

When operating in humid conditions: mandatory regulations should be respected

T-component: allows heat element to be mounted at in or outlet

- Art. N° T2085
- Colour: Stelrad white 9016



| | | recommended heating element | | | | | | | | | | | | | | | |
|----------------|----------------|-----------------------------|-----|-----|------|-----|-----|------|-----|-----|------|-----|-----|------|-----|-----|---|
| | | 775 | | | 1181 | | | 1411 | | | 1763 | | | 1993 | | | |
| Class II | Class I | 495 | 585 | 737 | 495 | 585 | 737 | 495 | 585 | 737 | 495 | 585 | 737 | 495 | 585 | 737 | |
| Art. N°. T2094 | Art. N°. T2028 | 300W | w | w | w | w | w | w | w | w | w | w | w | w | w | w | w |
| Art. N°. T2095 | Art. N°. T2082 | 600W | | | | w | w | w | w | w | w | w | w | w | w | w | w |
| Art. N°. T2096 | Art. N°. T2084 | 900W | | | | | | | | w | | | | w | w | w | w |

recommended

allowed

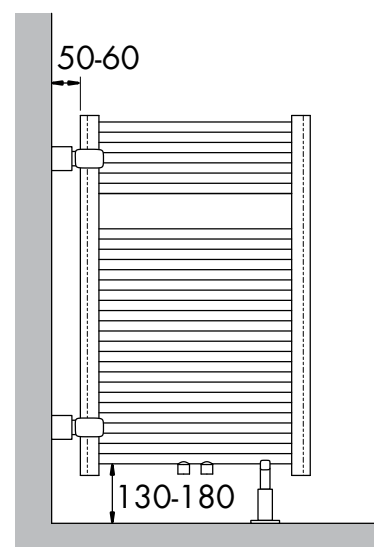
prohibited

BATHROOM RADIATOR AS ROOM DIVIDER

Dahlia · Dahlia CT

Art. N°:TI 630

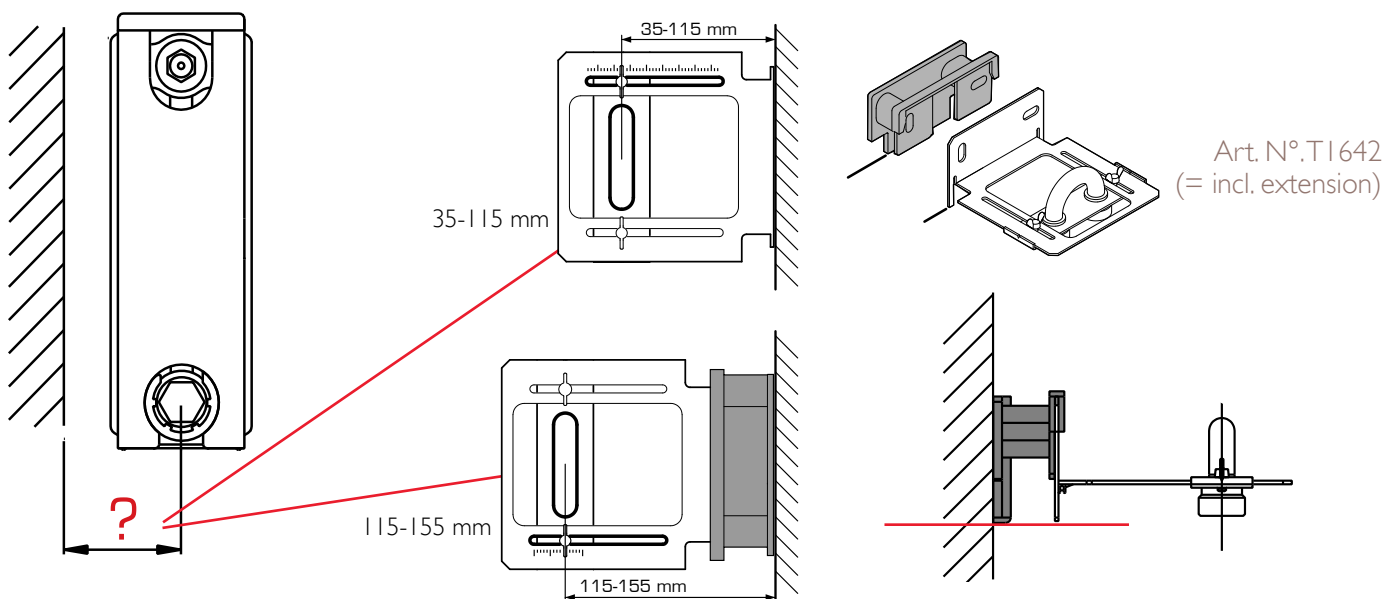
Colour: Stelrad white 9016 only



MOUNTING TEMPLATE

The mounting template is useful when installing valved radiators to the wall. It replaces the radiator until the very end of the building process. Therefore, finishing tasks such as painting, tiling and applying wallpaper no longer require the removal and remounting of the radiator, which guarantees a pristine condition on commissioning.

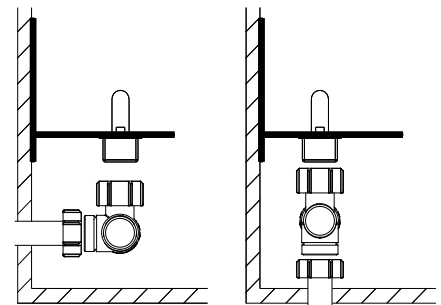
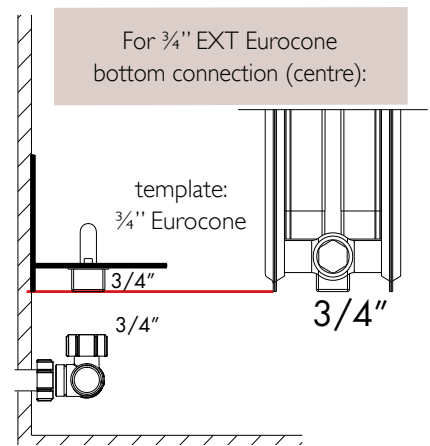
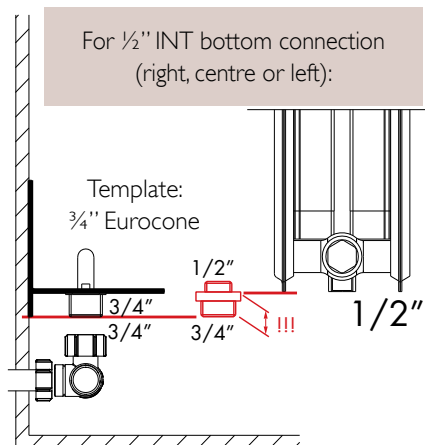
The mounting template consists of a L-shaped metal plate and a bridging piece with 2x 3/4" connections with a 50 mm centre distance. The bridging piece can slide back and forth on the L-shaped plate, which allows the wall distance to be adjusted according to the radiator type and the selected brackets. (see pages 148-152 & 80)



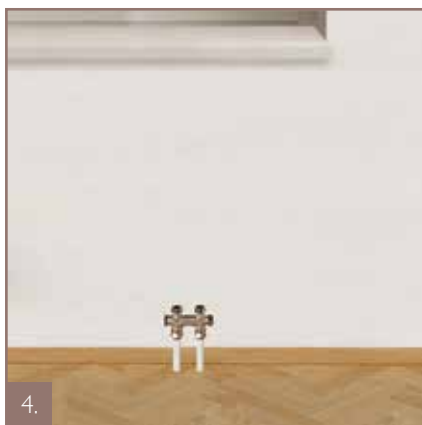
MOUNTING

1. Fit the template to the wall. Adjust the bridging piece to the correct wall distance (see pages 148-152 & 80)
2. Connect the piping to the mounting template and conduct the leak test
3. Once the concrete floor is finished, the L-shaped part (and the extension) can be removed to allow finishing tasks (e.g. painting, tiling, applying wallpaper,...)
REMARK: the bridging part must remain on the piping to prevent pollution in the pipes.
4. Mount the brackets to the wall, then remove the bridging part before installing the radiator.
REMARK: To prevent pollution in the pipes brackets should be mounted before removing the bridging part.
5. REMARK: For radiators with a 1/2" INT bottom connection, a 1/2"EXT x 3/4"EXT reduction must be used. (not included, see next page).

MOUNTING TEMPLATE



The mounting template can be used for pipes coming out of the floor, as well as for pipes coming out of the wall



LUG POSITIONS

Types 20-33

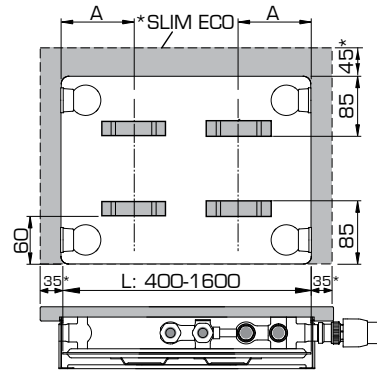
Planar VENTO
 Compact VENTO
 Novello ECO
 Hygiene ECO
 Planar Slim ECO*
 Planar ECO
 Planar Style ECO
 Planar
 Compact Planar
 Compact Style
 ECO Galva
 Hygiene ECO Galva
 Reno Planar · Reno
 Galva
 Hygiene Galva
 Hygiene
 Compact All In
 Accord All In

Type 10 (not ECO,
 not 8 connections)

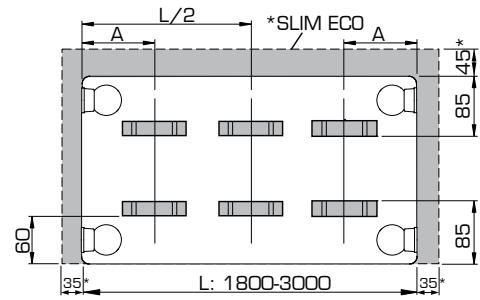
Hygiene Galva
 Hygiene

Type 10
 (ECO, 8 connections)

Hygiene ECO
 Hygiene ECO Galva
 Hygiene Planar 8



| L | A |
|----------|-----|
| 400-1600 | 133 |



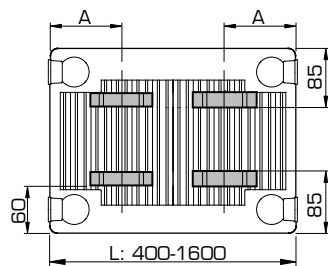
| L | A |
|-----------|-----|
| 1800-3000 | 133 |

| L | A |
|-----------|-----|
| 400 | 100 |
| 500-1100 | 167 |
| 1200-1600 | 267 |

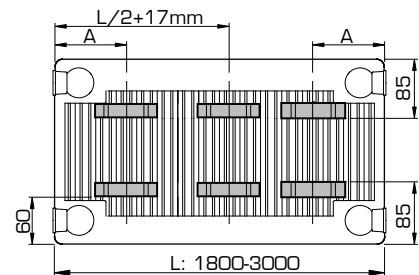
| L | A |
|-----------|-----|
| 1800-3000 | 267 |

Type 11

Novello ECO
 Planar ECO
 Planar Style ECO
 Planar 8
 Planar Style 8
 Planar
 Compact Planar
 Compact Style
 Galva
 ECO Galva
 Novello 8
 Novello
 Compact All In
 Accord All In



| L | A |
|----------|-----|
| 400 | 117 |
| 500-1600 | 150 |



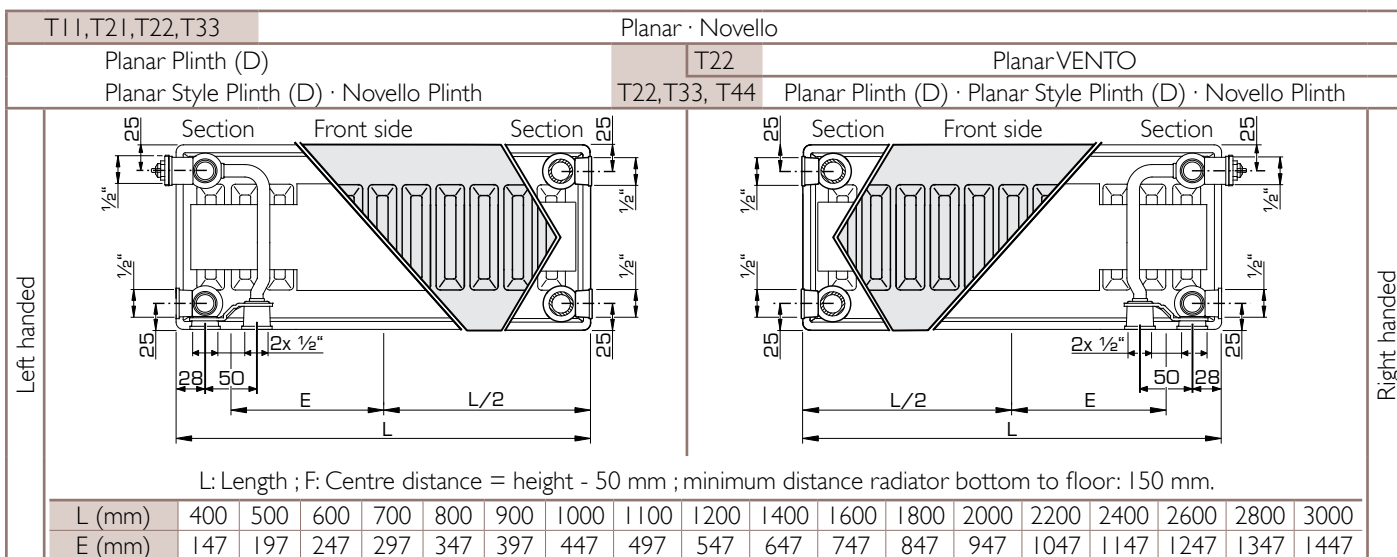
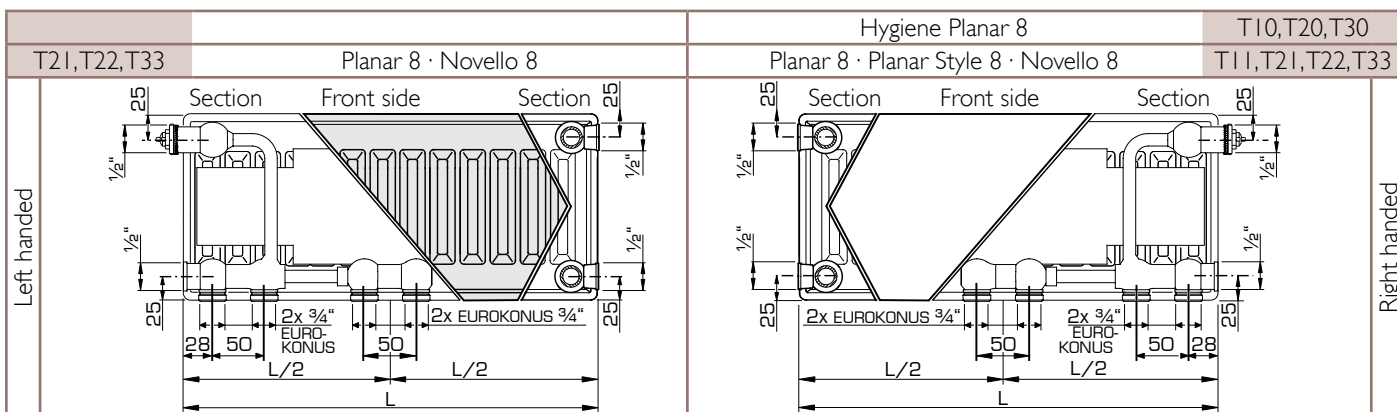
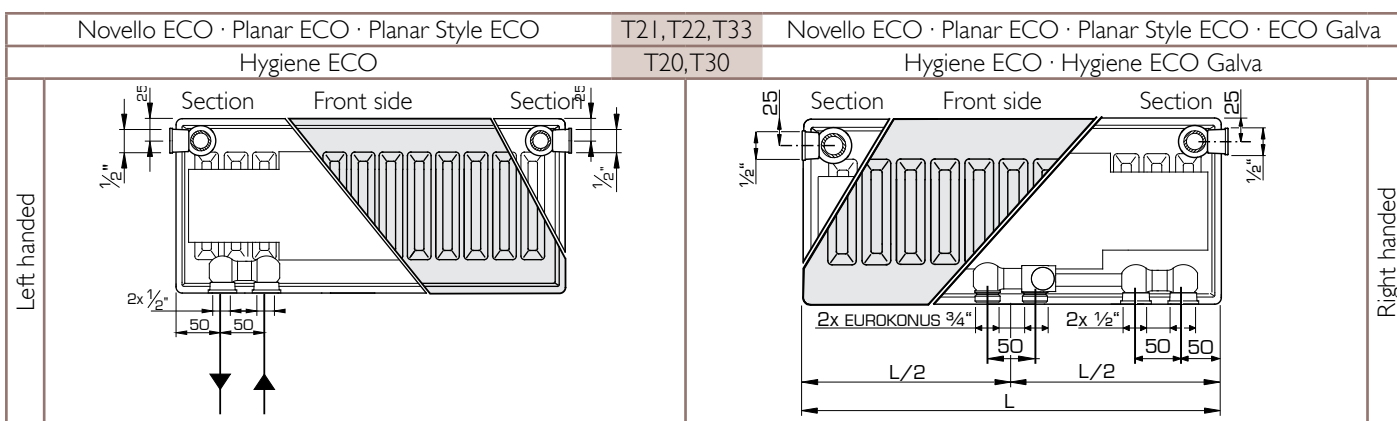
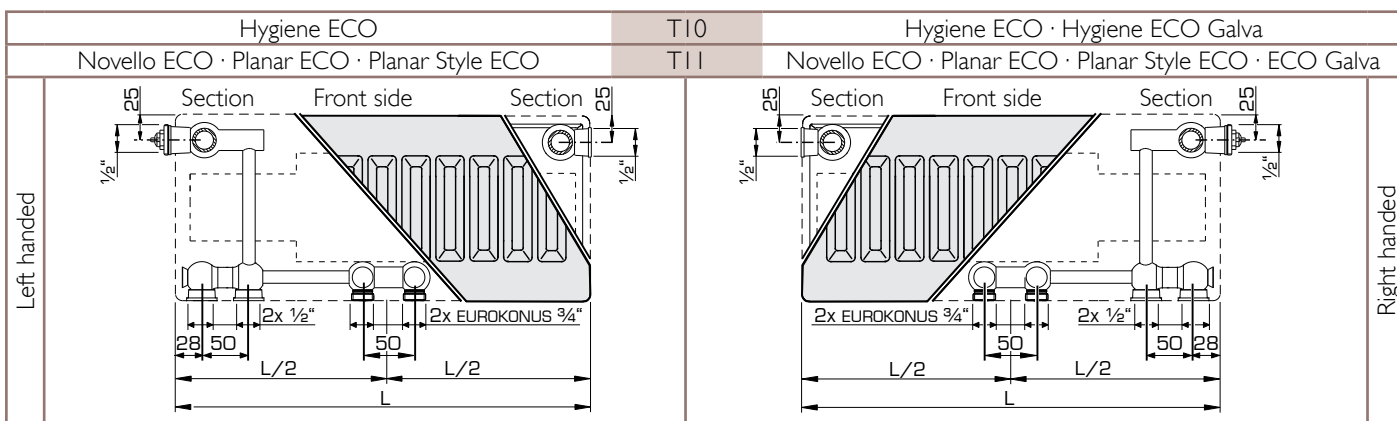
| L | A |
|-----------|-----|
| 1800-3000 | 150 |

CONNECTION POSSIBILITIES

| | |
|--|---|
| <p>Compact VENTO · Compact Planar · Compact Style · Reno Planar · Reno Galva · Hygiene Galva · Hygiene Compact All In · Accord All In</p> | |
| <p>When connecting as a compact radiator - the valve insert has to be removed - plastic plugs have to be replaced with brass plugs.</p> | |
| <p>Planar VENTO Planar 8 · Planar Style 8 · Hygiene Planar 8 Planar · Planar Plinth · Planar Style Plinth Planar Plinth D · Planar Style Plinth D Novello Plinth · Novello 8 · Novello</p> | |
| | <p>* = a reduction in heatoutput will occur when combining low temperature heating with a high temperature difference between inlet and outlet. Not suitable for cooling.</p> |

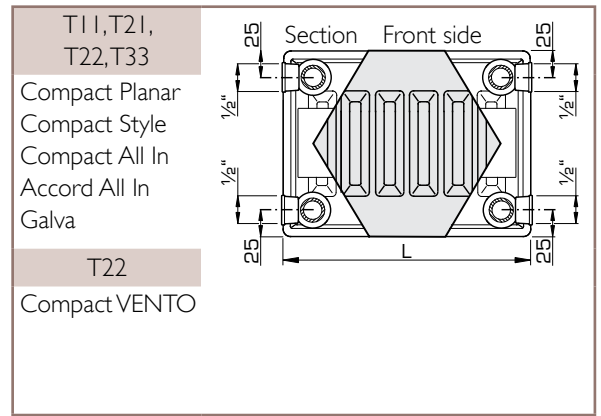
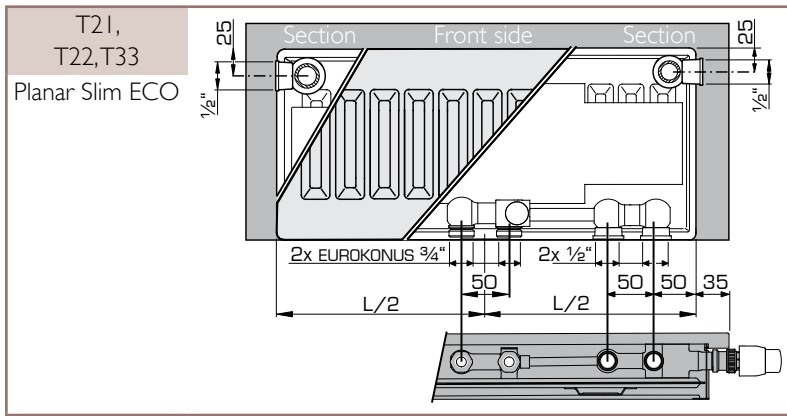
| Left handed radiator | Right handed radiator |
|---|---|
| <p>Types 21 / 22 / 33 Planar 8 Novello 8</p> <p>View: front of radiator</p> | <p>Types 11 / 21 / 22 / 33 Planar 8 Planar Style 8 Novello 8 Types 10 / 20 / 30 Hygiene Planar 8</p> <p>View: front of radiator</p> |
| <p>Types 11 / 21 / 22 / 33 Planar Novello Types 22 / 33 / 44 Planar Plinth D Planar Style Plinth D Novello Plinth</p> <p>View: front of radiator</p> | <p>Type 22 Planar VENTO Types 11 / 21 / 22 / 33 Planar Novello Types 22 / 33 / 44 Planar Plinth Planar Style Plinth Planar Plinth D Planar Style Plinth D Novello Plinth</p> <p>View: front of radiator</p> |
| <p>Types 21 / 22 / 33 Novello ECO Planar ECO Planar Style ECO Types 20 / 30 Hygiene ECO</p> <p>View: front of radiator</p> | <p>Types 21 / 22 / 33 Novello ECO Planar Slim ECO Planar ECO Planar Style ECO ECO Galva Types 20 / 30 Hygiene ECO Hygiene ECO Galva</p> <p>View: front of radiator</p> |
| <p>Important notice for ECO radiators: the green ECO air vent is essential for the proper working of types 20, 21, 22, 30 and 33 of the radiator and cannot be replaced by a traditional air vent as the radiator will keep on heating.</p> | |
| <p>Type 10 Hygiene ECO Type 11 Novello ECO Planar ECO Planar Style ECO</p> <p>View: front of radiator</p> | <p>Type 10 Hygiene ECO Hygiene ECO Galva Type 11 Novello ECO Planar ECO Planar Style ECO ECO Galva</p> <p>View: front of radiator</p> |

MOUNTING DIMENSIONS VALVERADIATORS



Connection possibilities horizontal radiators: see page 145. Connection possibilities vertical radiators: see pages 78, 79 and 113

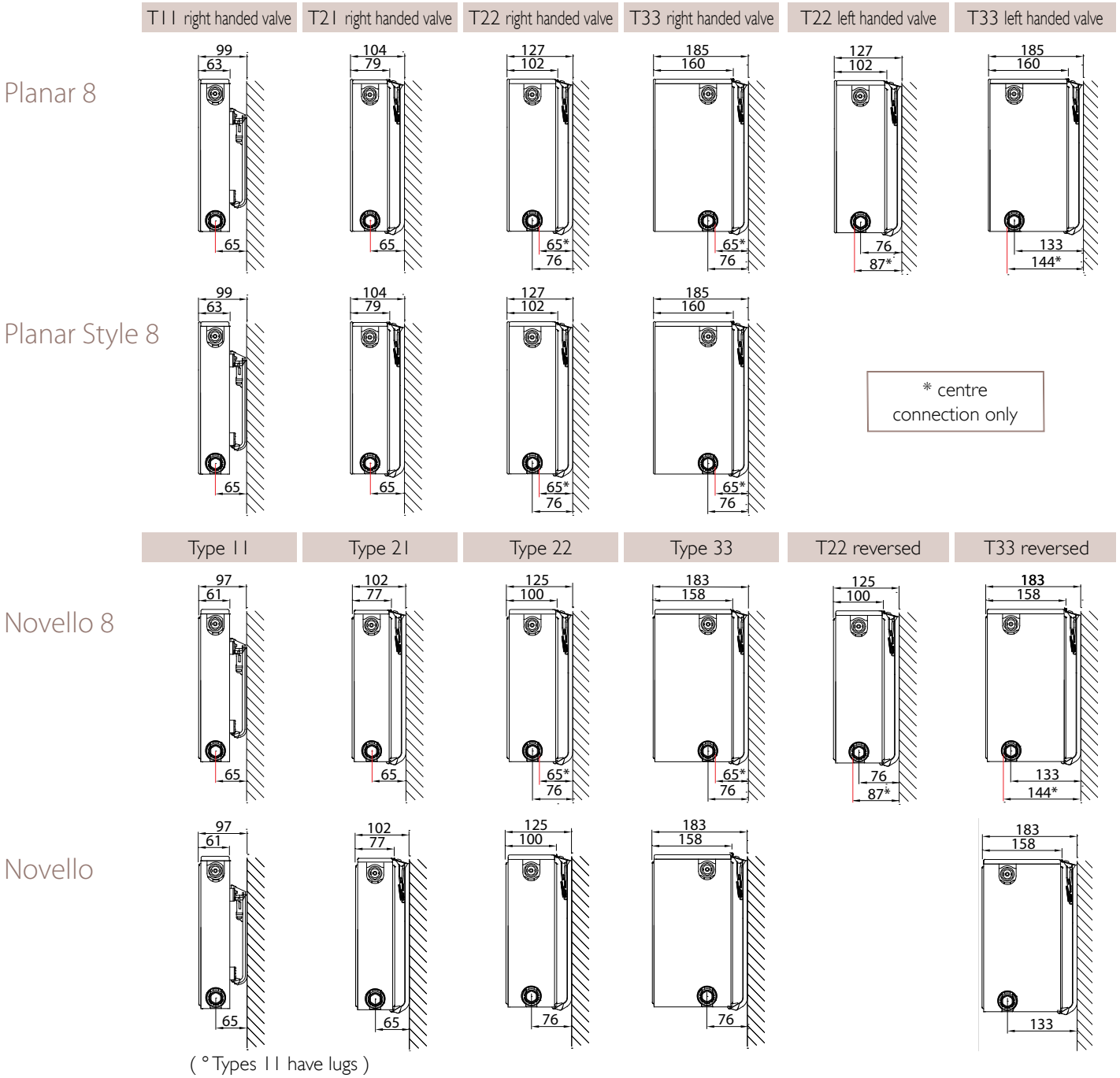
MOUNTING DIMENSIONS VALVERADIATORS



WALL BRACKETS

Horizontal radiators without lugs °

J-brackets (Monclac, VDI 6036 - Class 3)



| Type 11 J-bracket VDI 6036 Cl. 3 | Art. N°. | | Height | | |
|-------------------------------------|----------|-----|---------|---------|-----|
| | x | y | 2 pcs. | 3 pcs. | mm |
| | / | 140 | R509203 | R509303 | 300 |
| | 103 | 240 | R509204 | R509304 | 400 |
| | 103 | 340 | R509205 | R509305 | 500 |
| | 103 | 440 | R509206 | R509306 | 600 |
| | 103 | 540 | R509207 | R509307 | 700 |
| | 103 | 740 | R509209 | R509309 | 900 |

| Types 21-33 J-bracket VDI 6036 Class 3 | Art. N°. | | Height | | |
|---|----------|-----|---------|---------|-----|
| | x | y | 2 pcs. | 3 pcs. | mm |
| | 64 | 190 | R510203 | R510303 | 300 |
| | 64 | 290 | R510204 | R510304 | 400 |
| | 64 | 390 | R510205 | R510305 | 500 |
| | 64 | 490 | R510206 | R510306 | 600 |
| | 64 | 590 | R510207 | R510307 | 700 |
| | 64 | 790 | R510209 | R510309 | 900 |

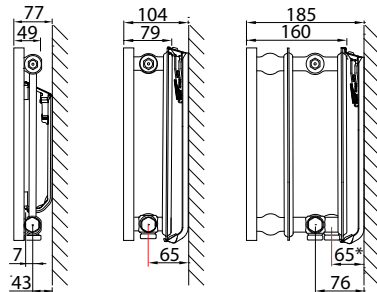
WALL BRACKETS

Horizontal radiators without lugs °

J-brackets (Monclac, VDI 6036 - Class 3)

Hygiene Planar 8

Type 10 Type 20 Type 30



* centre connection only

(°Types 10 have lugs)

| Type 10 J-bracket VDI 6036 Cl. 2 | | x | y | Art. N°. 2 pcs. | Height mm | Types 20-30 J-bracket VDI 6036 Cl. 3 | | x | y | Art. N°. 1 pc. | Height mm |
|-------------------------------------|-----|-----|-----------|--------------------|--------------|---|-----|---------|-----|-------------------|--------------|
| | / | 130 | R51120310 | 300 | | 64 | 190 | R510103 | 300 | | |
| | 115 | 230 | R51120410 | 400 | | 64 | 290 | R510104 | 400 | | |
| | 115 | 330 | R51120510 | 500 | | 64 | 390 | R510105 | 500 | | |
| | 115 | 430 | R51120610 | 600 | | 64 | 490 | R510106 | 600 | | |
| | 115 | 530 | R51120710 | 700 | | 64 | 590 | R510107 | 700 | | |
| | 115 | 730 | R51120910 | 900 | | 64 | 790 | R510109 | 900 | | |

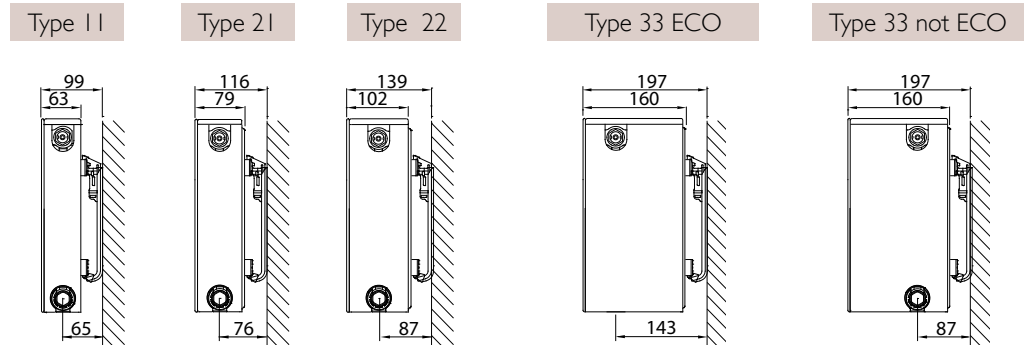
For lengths from 1.800 mm: 3 brackets needed.

WALL BRACKETS

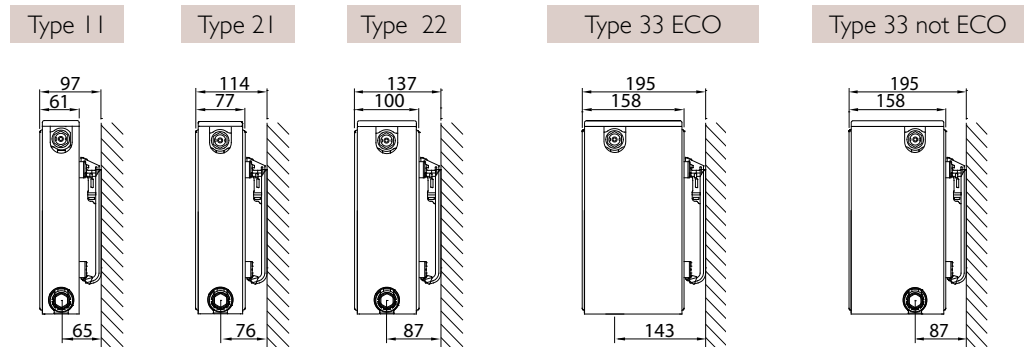
Horizontal radiators with lugs

J-brackets (Type Monclac, for VDI 6036 = Class 3, except Type 10 = Class 2)

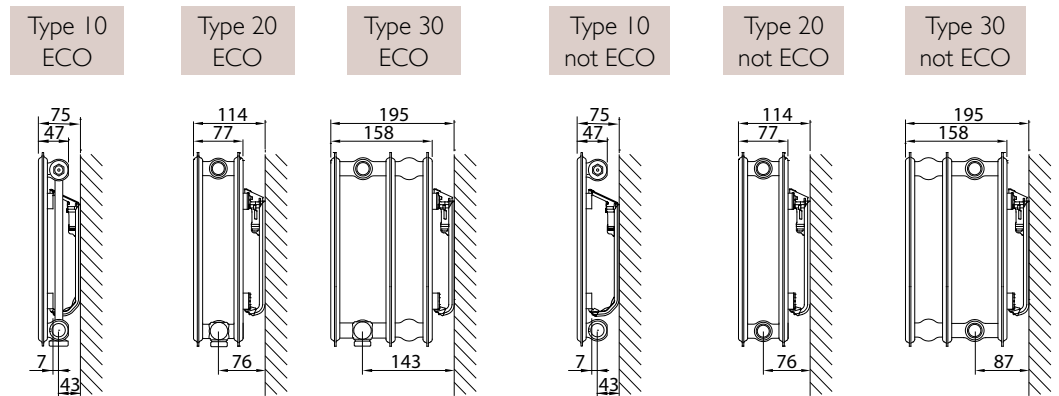
Planar VENTO
Planar ECO
Planar Style ECO
Planar
Compact Planar
Compact Style



Compact VENTO
Novello ECO
ECO Galva
Compact All In



Hygiene ECO
Hygiene ECO Galva
Hygiene Galva
Hygiene



| Type 10 J-bracket VDI 6036 Class 2 | | Art. N°. | | Height mm |
|---------------------------------------|-----|----------|-----------|--------------|
| x | y | 2 pcs. | | |
| | / | 130 | R51120310 | 300 |
| | 115 | 230 | R51120410 | 400 |
| | 115 | 330 | R51120510 | 500 |
| | 115 | 430 | R51120610 | 600 |
| | 115 | 530 | R51120710 | 700 |
| | 115 | 730 | R51120910 | 900 |

| Types 11-33 J-bracket VDI 6036 Class 3 | | | Art. N°. | | Height mm |
|---|-----|--------|----------|---------|--------------|
| x | y | 2 pcs. | 3 pcs. | | |
| | / | 140 | R509203 | R509303 | 300 |
| | 103 | 240 | R509204 | R509304 | 400 |
| | 103 | 340 | R509205 | R509305 | 500 |
| | 103 | 440 | R509206 | R509306 | 600 |
| | 103 | 540 | R509207 | R509307 | 700 |
| | 103 | 740 | R509209 | R509309 | 900 |

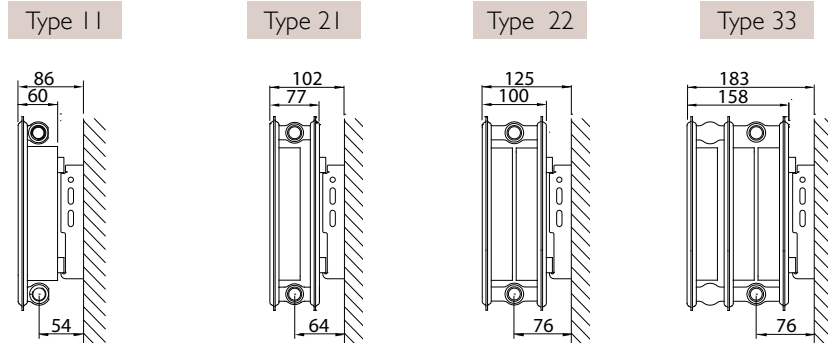
For lengths from 1.800 mm: 3 brackets needed.

WALL BRACKETS

Horizontal radiators with lugs

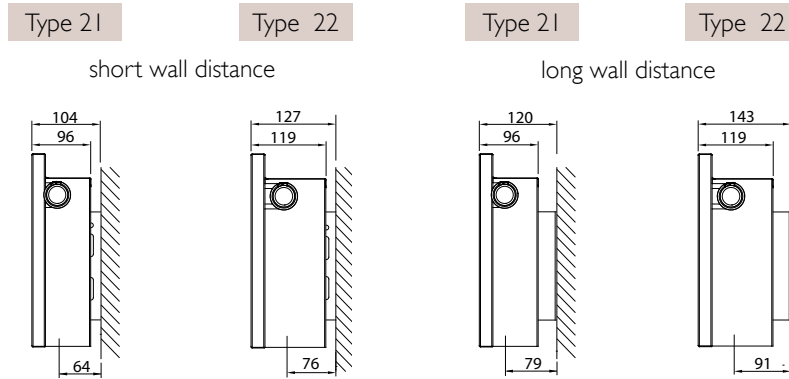
L-brackets

Accord All In Galva



Remark T11-33: images show the short wall distances, wall distances increase with +15 mm when using the long bracket side.

Planar Slim ECO



| Types 11-33 L-bracket (galvanised) | Art. N°. | | Height mm | | |
|---------------------------------------|----------|-----|--------------|---------|-----|
| | z1 | z2 | 2 pcs. | 3 pcs. | |
| | 190 | 170 | R512403 | R512503 | 300 |
| | 290 | 270 | R512404 | R512504 | 400 |
| | 390 | 370 | R512405 | R512505 | 500 |
| | 490 | 470 | R512406 | R512506 | 600 |
| | 590 | 570 | R512407 | R512507 | 700 |
| | 790 | 770 | R512409 | R512509 | 900 |

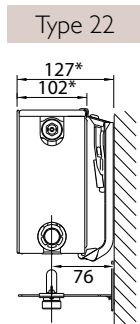
For lengths from 1.800 mm: 3 brackets needed.

WALL BRACKETS

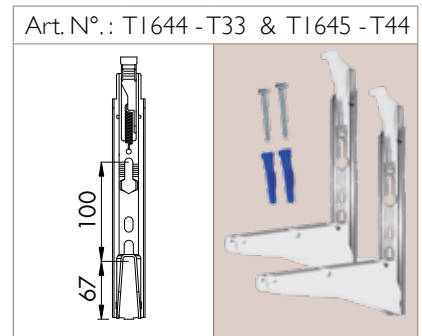
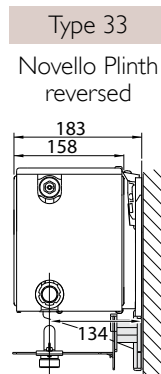
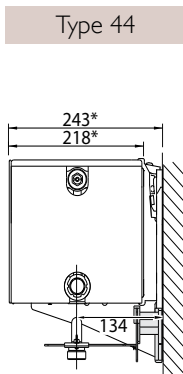
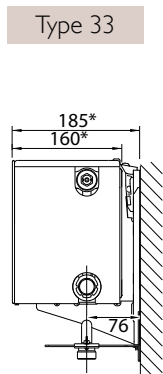
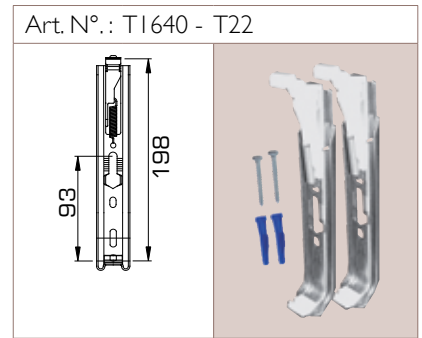
Plinth radiators and horizontal radiators with lugs

J-brackets for Plinth radiator mounting

Planar Plinth
Planar Style Plinth
Novello Plinth

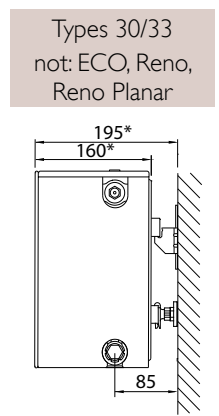
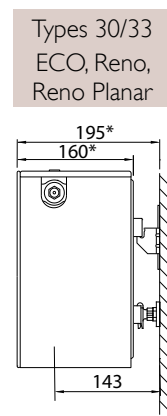
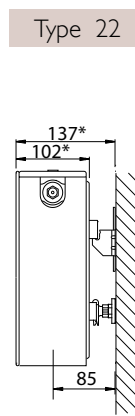
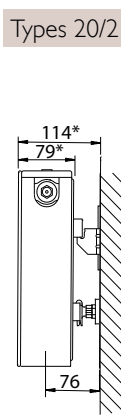
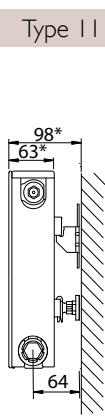
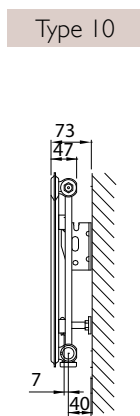


* : dimension -2 mm (without front panel)
view with mounting template
Art. N°. T1642

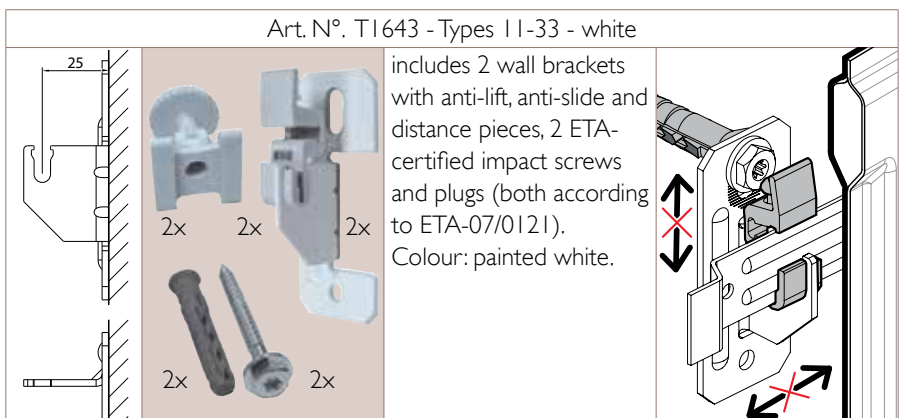
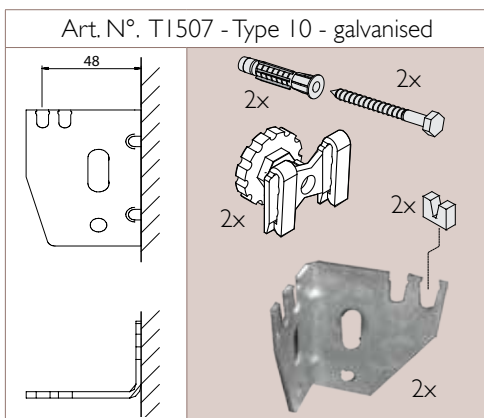


Brackets to be ordered separately.
Supplied per set of 2 pieces.
For lengths from 1.800 mm: 3 brackets needed.

Angle bracket



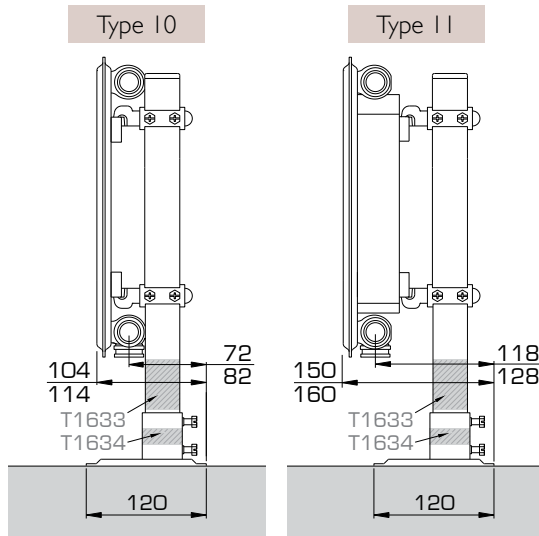
* : dimension -2 mm (without front panel)



Brackets to be ordered separately. Supplied per set of 2 pieces. For lengths from 1.800 mm: 3 brackets needed.

FLOOR STANDS - Types 10 & 11

Novello ECO · Hygiene ECO · Planar ECO · Planar Style ECO · Planar 8 · Planar Style 8
 Hygiene Planar 8 · Planar · Compact Plan · Compact Style · ECO Galva · Hygiene ECO Galva
 Galva · Hygiene Galva · Hygiene · Novello 8 · Novello · Compact All In · Accord All In



For radiator heights:

- 300 to 600 mm: art. N° T1537
- 700 and 900 mm: art. N° T1538

Positions: see lug positions (page 144)

Content:

- 2 tubes
- 2 floor plates
- 4 clamps with saddle clips

Colour: Stelrad white 9016

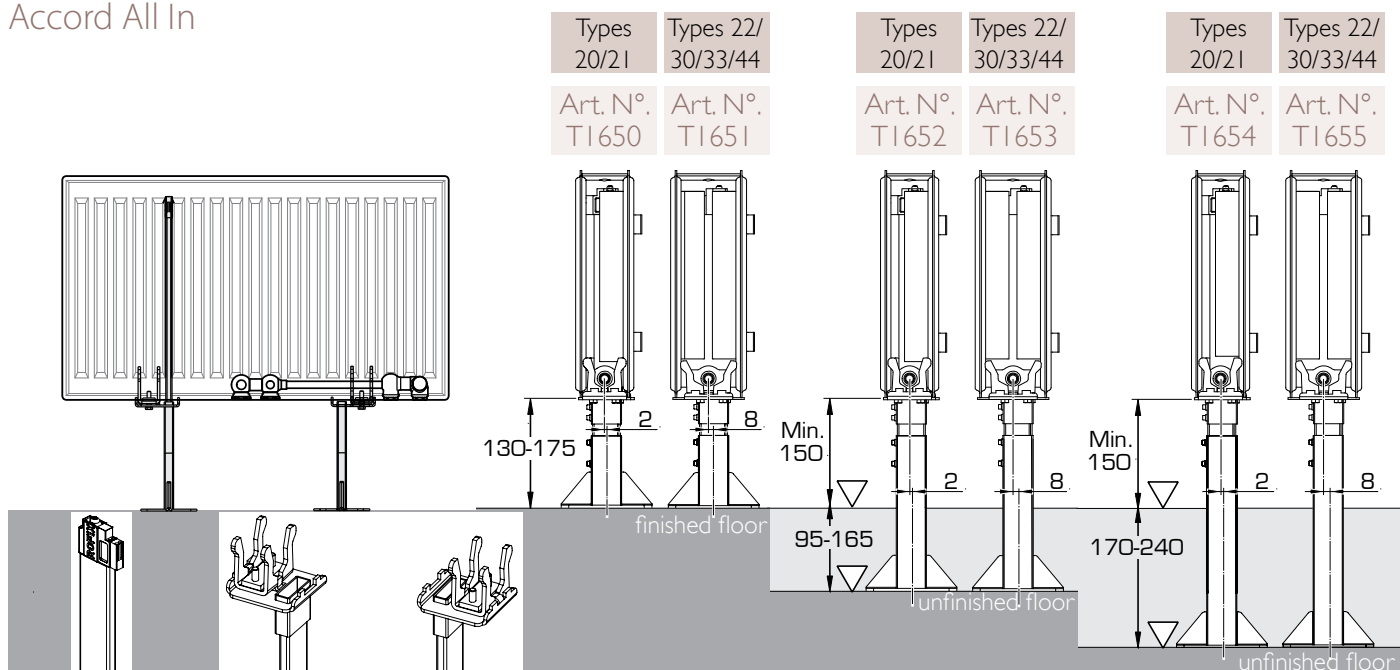
White cover: to be ordered separately:

- Art. N°. T1633
 35x10 mm
- Art. N°. T1634
 40x15 mm



FLOOR STANDS

Novello ECO · Hygiene ECO · Planar ECO · Planar Style ECO · Planar 8 · Planar Style 8
 Hygiene Planar 8 · Planar · Compact Planar · Compact Style · Planar Plinth · Planar Plinth D
 Planar Style Plinth · Planar Style Plinth D · ECO Galva · Hygiene ECO Galva · Novello Plinth
 Reno Planar · Reno · Galva · Hygiene Galva · Hygiene · Novello 8 · Novello · Compact All In
 Accord All In

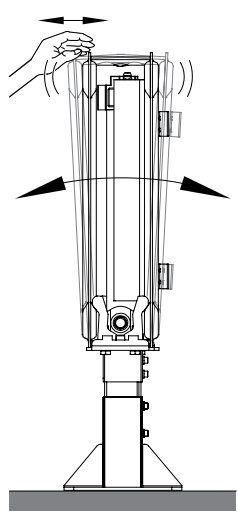
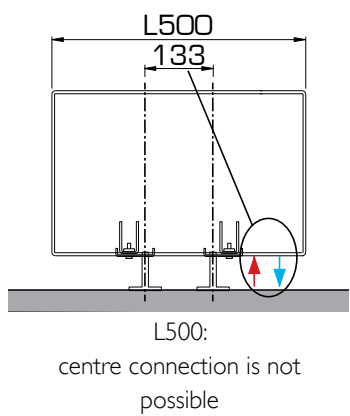


| | | | | | |
|---------------|-------------------|---------------|-------------------|---------------|-------------------|
| Types 20/21 | Types 22/30/33/44 | Types 20/21 | Types 22/30/33/44 | Types 20/21 | Types 22/30/33/44 |
| Art. N° T1650 | Art. N° T1651 | Art. N° T1652 | Art. N° T1653 | Art. N° T1654 | Art. N° T1655 |

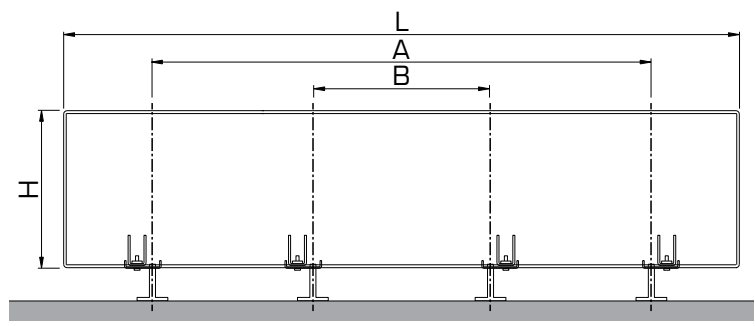
Art. N° T1656 :
 white stabilizer, needed for $H \geq 500$ mm, to be cut to length according to the radiator height
 Black RAL9005:
 Art. N° T1666

Art. N° T1650-T1655 :
 (per set), consists of 2 white floor stands, 8 screws and plugs, 2 white covers.
 Black RAL9005:
 Art. N° T1660-T1665

| H | H200-H700 | | | H900 | | |
|-------|-----------|------|----|------|------|----|
| | L | A | B | A | B | |
| L600 | 233 | - | | 233 | - | |
| L700 | 267 | - | | 267 | - | |
| L800 | 367 | - | | 367 | - | |
| L900 | 400 | - | 2x | 400 | - | 2x |
| L1000 | 433 | - | | 433 | - | |
| L1100 | 533 | - | | 533 | - | |
| L1200 | 567 | - | | 567 | - | |
| L1400 | 900 | - | | 900 | 300 | |
| L1600 | 1100 | - | 2x | 1100 | 300 | 4x |
| L1800 | 1100 | - | | 1100 | 300 | |
| L2000 | 1300 | - | | 1300 | 433 | |
| L2200 | 1700 | 567 | | 1700 | 567 | |
| L2400 | 1900 | 633 | | 1900 | 633 | |
| L2600 | 2100 | 700 | 4x | 2100 | 700 | 4x |
| L2800 | 2300 | 767 | | 2300 | 767 | |
| L3000 | 2500 | 1033 | | 2500 | 1033 | |



Forward and backward movements remain possible for high radiators.

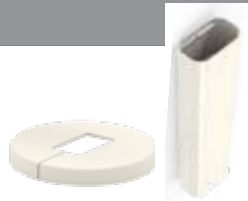
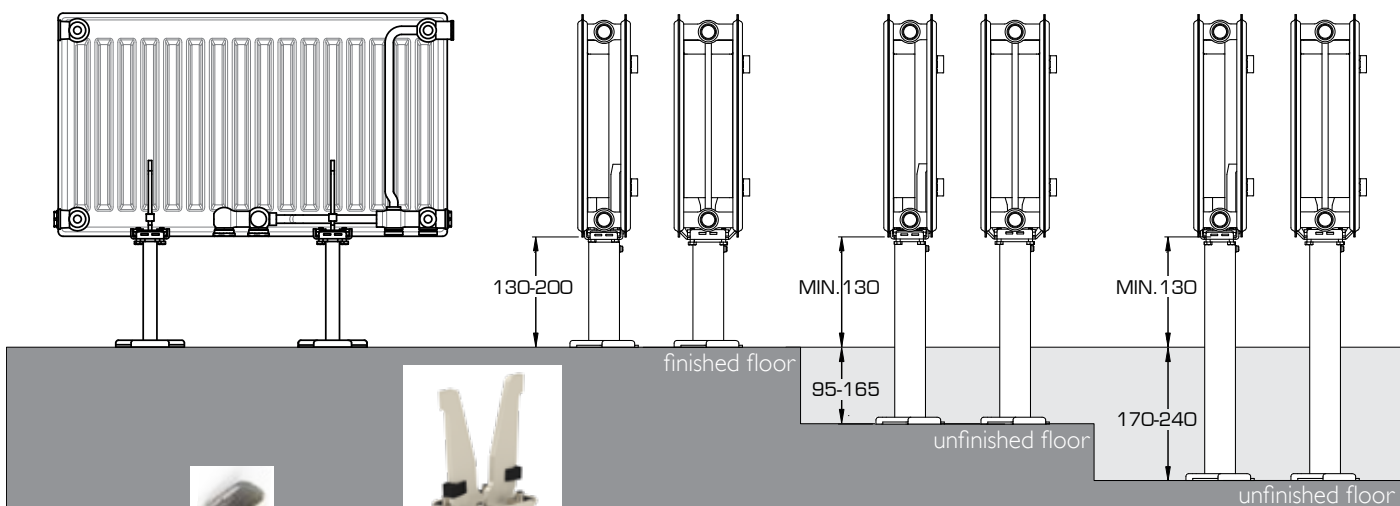


Remark:
 When connecting with tubes coming from the floor, new floor stand positions can be necessary.

FLOOR STANDS

Novello ECO · Hygiene ECO · Planar ECO · Planar Style ECO · Planar 8 · Planar Style 8
 Hygiene Planar 8 · Planar · Compact Planar · Compact Style · Planar Plinth · Planar Plinth D
 Planar Style Plinth · Planar Style Plinth D · ECO Galva · Hygiene ECO Galva · Novello Plinth
 Reno Planar · Reno · Galva · Hygiene Galva · Hygiene · Novello 8 · Novello · Compact All In
 Accord All In

| | | | | | |
|---------------------|-----------------------|---------------------|-----------------------|---------------------|-----------------------|
| Types 20/21 | Types 22/ 30/33/44 | Types 20/21 | Types 22/ 30/33/44 | Types 20/21 | Types 22/ 30/33/44 |
| Art. N°. T168021 | Art. N°. T168022 | Art. N°. T168121 | Art. N°. T168122 | Art. N°. T168221 | Art. N°. T168222 |

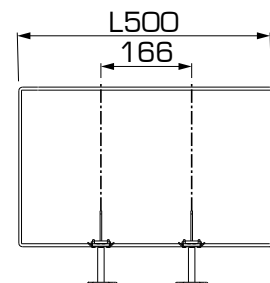


Art. N°.
 T1684 Tube cover
 T1683 Foot cover
 (incl. with T168021
 & T168022)

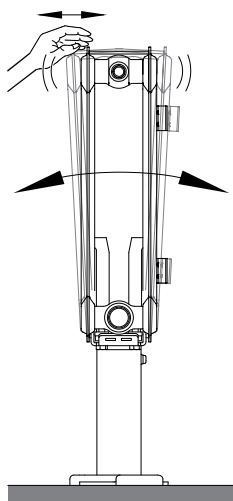


Art. N°.
 T168021-T168221
 & T168022-T168222
 white, per piece

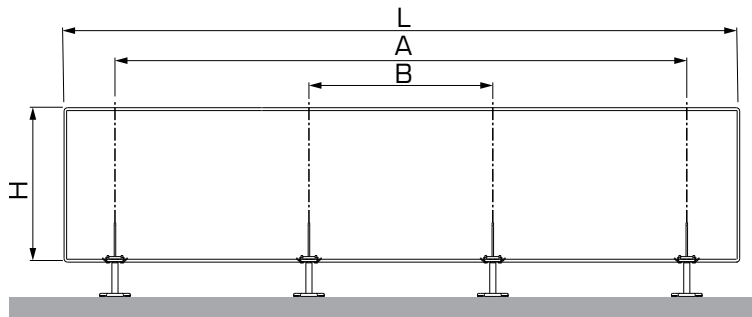
| H | H200-H600 | | | H700-900 | | |
|-------|-----------|------|---|----------|------|----|
| | L | A | B | A | B | |
| L600 | 266 | - | | 266 | - | 2x |
| L700 | 366 | - | | 366 | - | |
| L800 | 400 | - | | 400 | - | 2x |
| L900 | 434 | - | | 434 | - | |
| L1000 | 466 | - | | 466 | - | 2x |
| L1100 | 566 | - | | 566 | - | |
| L1200 | 666 | - | | 666 | - | 4x |
| L1400 | 1066 | - | | 1066 | 400 | |
| L1600 | 1266 | - | | 1266 | 666 | 4x |
| L1800 | 1466 | - | | 1466 | 666 | |
| L2000 | 1666 | 866 | | 1666 | 866 | 4x |
| L2200 | 1866 | 600 | | 1866 | 600 | |
| L2400 | 2066 | 666 | | 2066 | 666 | 4x |
| L2600 | 2266 | 733 | | 2266 | 733 | |
| L2800 | 2466 | 800 | | 2466 | 800 | 4x |
| L3000 | 2666 | 1066 | | 2666 | 1066 | |



L500:
 not possible for ECO-radiators
 or radiators with 8 connections.



Forward and
 backward movements
 remain possible for
 high radiators.



Remark:

Floorstands T168021 and T168022 (finished floor) are VDI 6036 class 3 compliant, if the floordistance does not exceed 150 mm.

VALVED DESIGN CONNECTION FITTING

Horta Vertical · Almada · Gilia Single · Gilia Double · Vertex Swing · Vertex Tango
Vertex Slim · Vertex Plan · Vertex Style · Vertical Galva · Vertex · Dahlia CT · Valeriana CT

Specifications

- design cover
- design thermostatic head
- 2x 3/4" - 1/2" reduction
- 2x conical adapter
- Inlet on thermostatic head side
- valve with adjustable Kv (8 presettings)
- maximum operating temperature: 90°C
- maximum operating pressure: 6 bar
- maximum tightening torque: 35 Nm
- body in white high-quality plastic

The valve cannot be replaced.

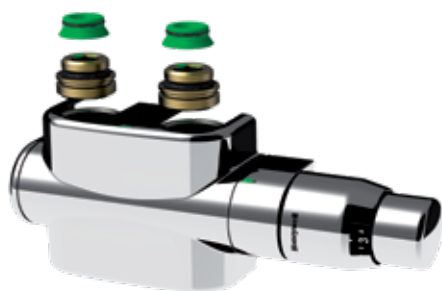
For two-pipe systems, not suitable for one-pipe systems.



Design connection set straight piping with left or right handed valve (reversible)

Art. N°.T2121 - white

Art. N°.T2122 - chrome



Design connection set angle piping with left handed valve

Art. N°.T2123 - white

Art. N°.T2124 - chrome



Design connection set angle piping with right handed valve

Art. N°.T2125 - white

Art. N°.T2126 - chrome

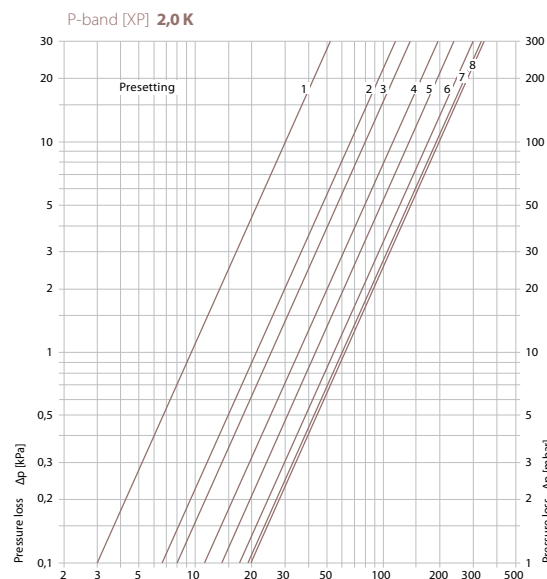
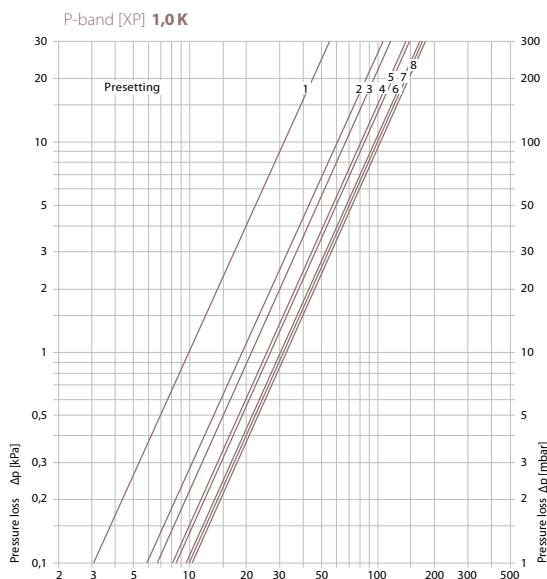


Do not use art. N°.T2125 and T2126 for: Vertex Swing, Vertex Tango, Vertex Slim, Vertex Plan and Vertex Style

Adjustment of the valved connection fitting



| Presetting | p-band xp 2,0 K | p-band xp 1,0 K |
|------------|-----------------|-----------------|
| 1 | 0,10 | 0,10 |
| 2 | 0,21 | 0,19 |
| 3 | 0,26 | 0,21 |
| 4 | 0,36 | 0,25 |
| 5 | 0,44 | 0,27 |
| 6 | 0,54 | 0,32 |
| 7 | 0,60 | 0,32 |
| 8 | 0,61 | 0,33 |



Lock function

The lock function can be used to lock the radiator without shutting down the heating system.

The valved design connection fitting closes the inlet and outlet by closing the closing screw and the thermostatic head.

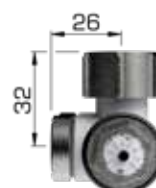


Mounting dimensions

The supplied adapters enable the connection fitting to be fitted on the most commonly used connections:

- 3/4" external thread with flat sealing,
- 3/4" external thread Eurocone and
- 1/2" internal thread.

The mounting dimensions are also valid for the connection fittings without valve.



3/4" external thread with flat sealing



3/4" external thread Eurocone



1/2" internal thread



CONNECTION FITTINGS WITHOUT VALVE

Novello ECO · Hygiene ECO · Planar Slim ECO · Planar ECO · Planar Style ECO · Planar 8
Planar Style 8 · Hygiene Planar 8 · Planar · Planar Plinth · Planar Plinth D · Planar Style Plinth
Planar Style Plinth D · ECO Galva · Hygiene ECO Galva · Novello Plinth · Novello 8 · Novello

Specifications

- for horizontal radiators with integrated valve
- body in white high-quality plastic
- 2x conical adapter
- maximum operating temperature: 90°C
- maximum operating pressure: 6 bar
- maximum tightening torque: 35 Nm

For two-pipe systems, not suitable for one-pipe systems.



Straight version (tubes out of the floor)

- Art. N°.T2104 without drain - white (1 pc.)
- Art. N°.T2105 with drain - white (1 pc.)



Art. N°. T2104



Art. N°. T2105

Angular version (tubes out of the wall)

- Art. N°.T2106 without drain - white (1 pc.)
- Art. N°.T2107 with drain - white (1 pc.)



Art. N°. T2106



Art. N°. T2107

Lock function

The lock function can be used to lock the radiator without shutting down the heating system. Inlet and outlet are closed by closing the closing screw.

Mounting dimensions and connections: see previous page.



Drain

Lock the radiator first, opening the air vent speeds up the process.

Hose nipple Art. N°.T2114 unlocks the drain function.



Art. N°. T2114

Thermostatic valve

- Art. N°. T1233
- Compatible with Stelrad valve radiators (M30 x 1,5 mm)
- tested according to EN 215-1
- Colour: white



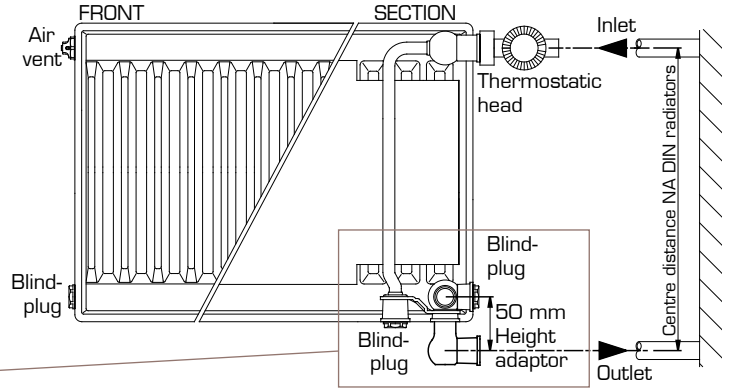
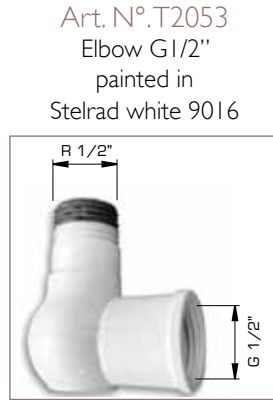
Art. N°. T1233

DIN-RADIATORS STEEL/CAST IRON: REPLACEMENT RADIATOR

Planar and Novello - with G1/2" elbow
(see also renovation radiator Reno)

By using the 1/2" elbow, the valved radiators Planar and Novello can, due to their construction with 6 connections, as well as all type I0-I1 ECO-radiators, easily replace old steel or cast iron DIN radiators. The desired wall distance can be obtained by using a drill bracket.

| DIN-Radiators | Planar, Novello, ECO-radiators T10-I1 |
|---------------|---------------------------------------|
| NA 500 | BH 500, Type 22 or 33, with elbow |
| NA 900 | BH 900, Type 22 or 33, with elbow |



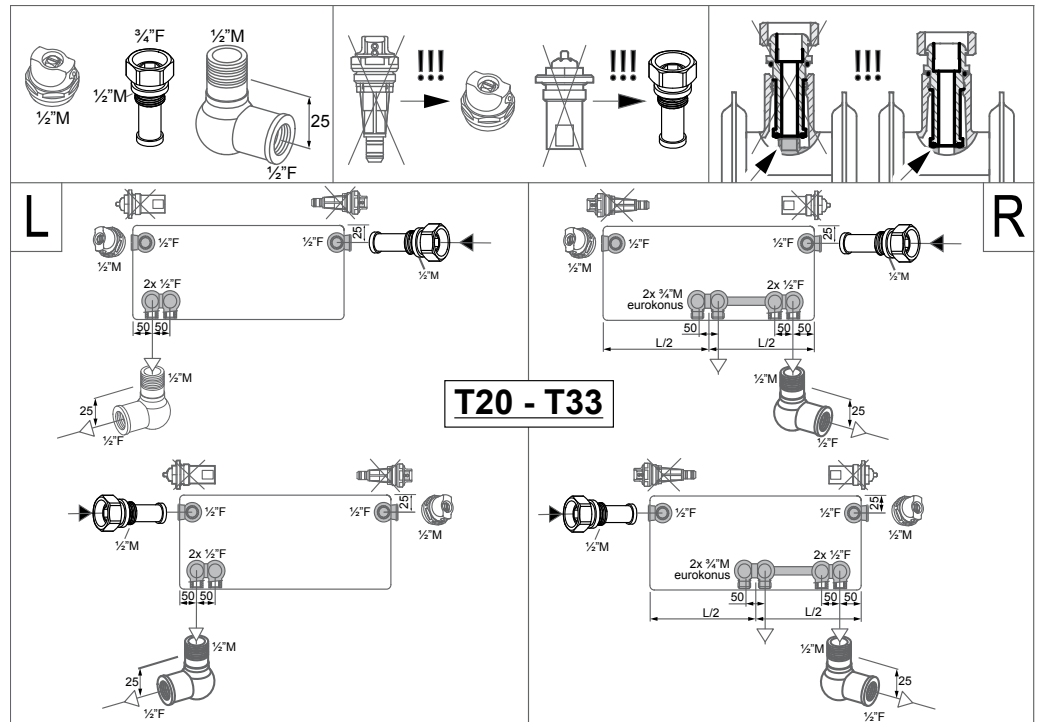
DIN-RADIATORS STEEL/CAST IRON: RENOVATION SET FOR ECO-RADIATORS

Due to their construction with 6 connections, type 20-33 ECO radiators can easily replace old steel or cast iron DIN radiators. The desired wall distance can be obtained by using a drill-in bracket.

| DIN-Radiators | ECO-radiators T20-33 |
|---------------|-----------------------------------|
| NA 500 | BH 500, Type 22 or 33, with elbow |
| NA 900 | BH 900, Type 22 or 33, with elbow |



Art. N°. T2130



HYDRAULIC BALANCING OF HEATING SYSTEMS

Hydraulic balancing of heating systems (tubes, fittings, inserts, etc.), which is required by several European standards, is a mandatory measure for the reduction of energy consumption and cost.

The radiators of a heating system have to supply a heat output that corresponds to the heat demand of the rooms in which they are installed. That heat output depends on the radiator size, the water temperature and the water flow rate through the radiator. Therefore, as various radiator sizes are usually installed in a heating system, the total pump flow rate has to be divided into unequal parts to the radiators. This cannot be realised by the pump.

Consequently, in an unbalanced heating system it is very likely that the flow rate through small radiators will be too high and that through large radiators too low. Moreover, because water tends to follow the path offering the least resistance, some radiators will be disadvantaged due to the larger distance to the boiler for instance.

Having too high a flow rate through the radiator can generate noise, whereas the heat output increase is relatively low. In addition the water returns to the boiler at a higher temperature, which can lead to lower boiler efficiency, especially when using condensing boilers. On the other hand, if a radiator receives too little flow rate, it is likely not to supply enough heat output. Leaving heating systems unbalanced generally results in customer complaints, insufficient comfort and increased heating costs.

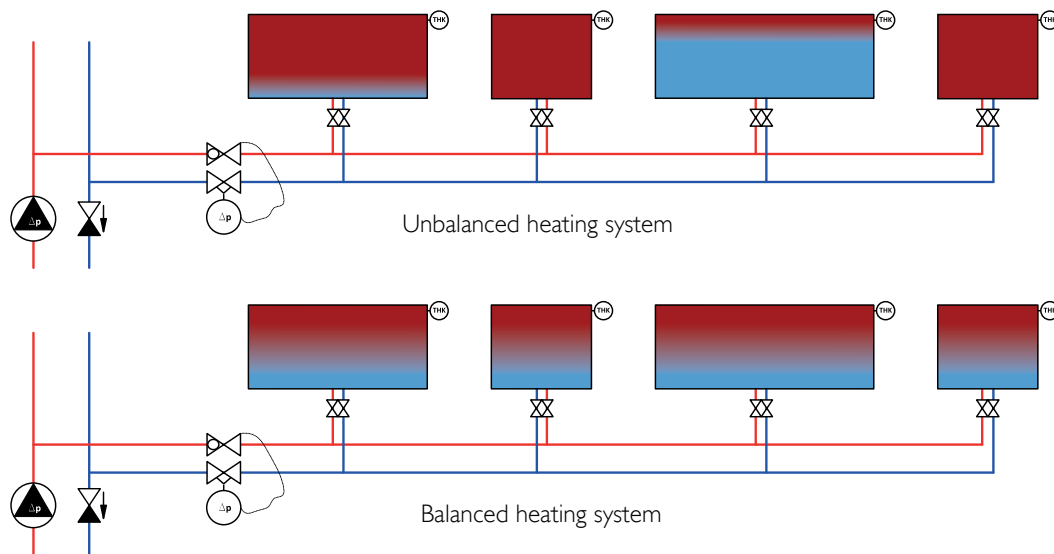
In practice the pump flow rate is frequently increased to solve the problem of radiators that do not heat up sufficiently. However, this generally leads to more complaints due to noise amplification in the system as well as higher energy consumption.

To solve this problem it is necessary to balance the heating system by adjusting the flow rate through each radiator.

Advantages of hydraulic balancing:

- Reduction of CO₂ emission
- Energy savings (up to 6%)
- Thermal comfort
- No noise problem
- Compliance to standards

Considering the reduction of both CO₂ and energy consumption, Stelrad recommends the hydraulic balancing of heating systems.



Determination of mass flow:

The mass flow rate "m" of a radiator depends on:

- Heat output "Q" at required temperatures (e.g. 70/55/20°C)
- Water temperature drop across the radiator (T_{inlet} - T_{outlet}).

and can be determined using the following simplified formula:

$$\text{Mass flow } \dot{m} = \frac{\dot{Q}}{1,163 (T_{\text{Inlet}} - T_{\text{Outlet}})} \quad \text{or} \quad \dot{m} = \frac{\dot{Q} \times 3600}{4186 \times (T_{\text{Inlet}} - T_{\text{Outlet}})}$$

VALVE INSERT

Novello ECO · Hygiene ECO · Planar Slim ECO · Planar ECO · Planar Style ECO · Planar 8
 Planar Style 8 · Hygiene Planar 8 · Planar · Planar Plinth · Planar Style Plinth · Planar Plinth D
 Planar Style Plinth D · ECO Galva · Hygiene ECO Galva · Novello Plinth · Novello 8 · Novello






For easier hydraulic balancing, Stelrad (*) radiators have factory-fitted valves with a preset Kv-value.
 5 presets have been defined with 5 different coloured caps (yellow, white, red, black, blue).

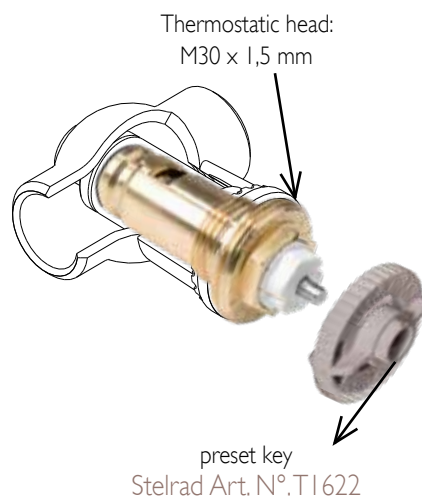
These factory presets are based on the operating conditions below:

- emmisions at 70/55/20 °C (tinlet - toutlet = 15 °C),
- pressure drop $\Delta p = 100$ mbar;
- P-band of IK.

For other working conditions a readjustment may be necessary, using the preset key (Art. N°.TI622) and the tables of pages 166 and 167.
 A replacement of the insert can be necessary.

In I-pipe systems the insert needs to be set at position "8".

| fine | normal | | | |
|---|---|---|---|---|
| Heimeier Art. N°. 4369 | Heimeier Art. N°. 4368 | | | |
| Stelrad Art. N°. R4216 | Stelrad Art. N°. R4218 | Stelrad Art. N°. R4219 | Stelrad Art. N°. R4220 | Stelrad Art. N°. R4221 |
|  |  |  |  |  |
| yellow | white | red | black | blue |
| preset 5,5 | preset 2,5 | preset 4,5 | preset 6 | preset 8 |
| presetting 1-8 | presetting 1-8 | | | |



VALVE INSERT: FACTORY PRESETTINGS

NOVELLO ECO

Stelrad BV/PL24/0020/EC07

| Height | 300 | | | 400 | | | | 500 | | | | 600 | | | | 700 | | | | 900 | | | | | | | |
|--------|-----|-----|-----|-----|-----|-----|-----|-----|-----|-----|-----|-----|-----|-----|-----|-----|-----|-----|-----|-----|-----|-----|-----|-----|-----|-----|-----|
| | 11 | 22 | 33 | 11 | 21 | 22 | 33 | 11 | 21 | 22 | 33 | 11 | 21 | 22 | 33 | 11 | 21 | 22 | 33 | 11 | 21 | 22 | 33 | | | | |
| 400 | 5.5 | 5.5 | 5.5 | 5.5 | 5.5 | 5.5 | 5.5 | 5.5 | 5.5 | 5.5 | 2.5 | 5.5 | 5.5 | 5.5 | 2.5 | 5.5 | 5.5 | 2.5 | 2.5 | 5.5 | 5.5 | 2.5 | 2.5 | 5.5 | 2.5 | 2.5 | 2.5 |
| 500 | 5.5 | 5.5 | 5.5 | 5.5 | 5.5 | 5.5 | 2.5 | 5.5 | 5.5 | 5.5 | 2.5 | 5.5 | 5.5 | 2.5 | 2.5 | 5.5 | 2.5 | 2.5 | 2.5 | 5.5 | 2.5 | 2.5 | 2.5 | 5.5 | 2.5 | 2.5 | 4.5 |
| 600 | 5.5 | 5.5 | 2.5 | 5.5 | 5.5 | 5.5 | 2.5 | 5.5 | 5.5 | 2.5 | 2.5 | 5.5 | 2.5 | 2.5 | 2.5 | 5.5 | 2.5 | 2.5 | 4.5 | 5.5 | 2.5 | 2.5 | 4.5 | 2.5 | 2.5 | 2.5 | 4.5 |
| 700 | 5.5 | 5.5 | 2.5 | 5.5 | 5.5 | 2.5 | 2.5 | 5.5 | 2.5 | 2.5 | 2.5 | 5.5 | 2.5 | 2.5 | 4.5 | 5.5 | 2.5 | 2.5 | 4.5 | 2.5 | 2.5 | 2.5 | 4.5 | 2.5 | 2.5 | 4.5 | 6 |
| 800 | 5.5 | 2.5 | 2.5 | 5.5 | 2.5 | 2.5 | 2.5 | 5.5 | 2.5 | 2.5 | 4.5 | 5.5 | 2.5 | 2.5 | 4.5 | 2.5 | 2.5 | 2.5 | 4.5 | 2.5 | 2.5 | 2.5 | 4.5 | 2.5 | 2.5 | 4.5 | 6 |
| 900 | 5.5 | 2.5 | 2.5 | 5.5 | 2.5 | 2.5 | 2.5 | 2.5 | 2.5 | 2.5 | 4.5 | 2.5 | 2.5 | 2.5 | 4.5 | 2.5 | 2.5 | 4.5 | 6 | 2.5 | 2.5 | 4.5 | 6 | 2.5 | 4.5 | 4.5 | 8 |
| 1000 | 5.5 | 2.5 | 2.5 | 5.5 | 2.5 | 2.5 | 4.5 | 2.5 | 2.5 | 2.5 | 4.5 | 2.5 | 2.5 | 4.5 | 6 | 2.5 | 2.5 | 4.5 | 8 | 2.5 | 2.5 | 4.5 | 8 | 2.5 | 4.5 | 6 | 8 |
| 1100 | 5.5 | 2.5 | 2.5 | 2.5 | 2.5 | 2.5 | 4.5 | 2.5 | 2.5 | 4.5 | 6 | 2.5 | 2.5 | 4.5 | 6 | 2.5 | 2.5 | 4.5 | 8 | 2.5 | 2.5 | 4.5 | 8 | 2.5 | 4.5 | 6 | 8 |
| 1200 | 5.5 | 2.5 | 4.5 | 2.5 | 2.5 | 2.5 | 4.5 | 2.5 | 2.5 | 4.5 | 6 | 2.5 | 4.5 | 4.5 | 8 | 2.5 | 4.5 | 6 | 8 | 4.5 | 6 | 8 | 8 | 4.5 | 6 | 8 | 8 |
| 1400 | 5.5 | 2.5 | 4.5 | 2.5 | 2.5 | 4.5 | 6 | 2.5 | 4.5 | 4.5 | 8 | 2.5 | 4.5 | 6 | 8 | 4.5 | 4.5 | 8 | 8 | 4.5 | 8 | 8 | 8 | 4.5 | 8 | 8 | 8 |
| 1600 | | 2.5 | 6 | 2.5 | 2.5 | 4.5 | 8 | 2.5 | 4.5 | 6 | 8 | 4.5 | 4.5 | 8 | 8 | 4.5 | 6 | 8 | 8 | 4.5 | 8 | 8 | 8 | 6 | 8 | 8 | 8 |
| 1800 | | 4.5 | 6 | 2.5 | 4.5 | 4.5 | 8 | 2.5 | 4.5 | 6 | 8 | 4.5 | 6 | 8 | 8 | 4.5 | 8 | 8 | 8 | 4.5 | 8 | 8 | 8 | 6 | 8 | 8 | 8 |
| 2000 | | 4.5 | 8 | 2.5 | 4.5 | 6 | 8 | 4.5 | 6 | 8 | 8 | 4.5 | 8 | 8 | 8 | 6 | 8 | 8 | 8 | 4.5 | 8 | 8 | 8 | 8 | 8 | 8 | 8 |
| 2200 | | 4.5 | 8 | | 4.5 | 8 | 8 | 4.5 | 6 | 8 | 8 | 6 | 8 | 8 | 8 | | | | | | | | | | | | |
| 2400 | | 6 | 8 | | 6 | 8 | 8 | 4.5 | 8 | 8 | 8 | 6 | 8 | 8 | 8 | | | | | | | | | | | | |
| 2600 | | 6 | | | | 8 | | | | 8 | | | | 8 | | | | | | | | | | | | | |
| 2800 | | 8 | | | | 8 | | | | 8 | | | | 8 | | | | | | | | | | | | | |
| 3000 | | 8 | | | | 8 | | | | 8 | | | | 8 | | | | | | | | | | | | | |

HYGIENE ECO · HYGIENE ECO GALVA

Stelrad BV/PL24/0020/EC07

| Height | 400 | | | 500 | | | 600 | | | 700 | | | 900 | | |
|--------|-----|-----|-----|-----|-----|-----|-----|-----|-----|-----|-----|-----|-----|-----|-----|
| | 10 | 20 | 30 | 10 | 20 | 30 | 10 | 20 | 30 | 10 | 20 | 30 | 10 | 20 | 30 |
| 400 | 5.5 | 5.5 | 5.5 | 5.5 | 5.5 | 5.5 | 5.5 | 5.5 | 5.5 | 5.5 | 5.5 | 5.5 | 5.5 | 5.5 | 2.5 |
| 500 | 5.5 | 5.5 | 5.5 | 5.5 | 5.5 | 5.5 | 5.5 | 5.5 | 2.5 | 5.5 | 5.5 | 2.5 | 5.5 | 2.5 | 2.5 |
| 600 | 5.5 | 5.5 | 5.5 | 5.5 | 5.5 | 2.5 | 5.5 | 5.5 | 2.5 | 5.5 | 5.5 | 2.5 | 5.5 | 2.5 | 2.5 |
| 700 | 5.5 | 5.5 | 2.5 | 5.5 | 5.5 | 2.5 | 5.5 | 5.5 | 2.5 | 5.5 | 2.5 | 2.5 | 5.5 | 2.5 | 2.5 |
| 800 | 5.5 | 5.5 | 2.5 | 5.5 | 5.5 | 2.5 | 5.5 | 2.5 | 2.5 | 5.5 | 2.5 | 2.5 | 5.5 | 2.5 | 2.5 |
| 900 | 5.5 | 5.5 | 2.5 | 5.5 | 2.5 | 2.5 | 5.5 | 2.5 | 2.5 | 5.5 | 2.5 | 2.5 | 5.5 | 2.5 | 2.5 |
| 1000 | 5.5 | 2.5 | 2.5 | 5.5 | 2.5 | 2.5 | 5.5 | 2.5 | 2.5 | 5.5 | 2.5 | 4.5 | 2.5 | 2.5 | 4.5 |
| 1100 | 5.5 | 2.5 | 2.5 | 5.5 | 2.5 | 2.5 | 5.5 | 2.5 | 4.5 | 2.5 | 2.5 | 4.5 | 2.5 | 2.5 | 4.5 |
| 1200 | 5.5 | 2.5 | 2.5 | 5.5 | 2.5 | 4.5 | 2.5 | 2.5 | 4.5 | 2.5 | 2.5 | 4.5 | 2.5 | 2.5 | 4.5 |
| 1400 | 5.5 | 2.5 | 2.5 | 2.5 | 2.5 | 4.5 | 2.5 | 2.5 | 4.5 | 2.5 | 2.5 | 4.5 | 2.5 | 4.5 | 6 |
| 1600 | 5.5 | 2.5 | 4.5 | 2.5 | 2.5 | 4.5 | 2.5 | 2.5 | 4.5 | 2.5 | 4.5 | 6 | 2.5 | 4.5 | 8 |

ECO GALVA

Stelrad BV/PL24/0020/EC07

| Height | 400 | | | | 500 | | | | 600 | | | | 700 | | | | 900 | | | | | | | | | | |
|--------|-----|-----|-----|-----|-----|-----|-----|-----|-----|-----|-----|-----|-----|-----|-----|-----|-----|-----|-----|-----|-----|-----|-----|-----|-----|-----|-----|
| | 11 | 21 | 22 | 33 | 11 | 21 | 22 | 33 | 11 | 21 | 22 | 33 | 11 | 21 | 22 | 33 | 11 | 21 | 22 | 33 | | | | | | | |
| 400 | 5.5 | 5.5 | 5.5 | 5.5 | 5.5 | 5.5 | 5.5 | 2.5 | 5.5 | 5.5 | 5.5 | 2.5 | 5.5 | 5.5 | 2.5 | 2.5 | 5.5 | 5.5 | 2.5 | 2.5 | 5.5 | 2.5 | 2.5 | 2.5 | 5.5 | 2.5 | 2.5 |
| 500 | 5.5 | 5.5 | 5.5 | 2.5 | 5.5 | 5.5 | 5.5 | 2.5 | 5.5 | 5.5 | 2.5 | 2.5 | 5.5 | 2.5 | 2.5 | 2.5 | 5.5 | 2.5 | 2.5 | 4.5 | 5.5 | 2.5 | 2.5 | 4.5 | 2.5 | 2.5 | 4.5 |
| 600 | 5.5 | 5.5 | 5.5 | 2.5 | 5.5 | 5.5 | 2.5 | 2.5 | 5.5 | 2.5 | 2.5 | 2.5 | 5.5 | 2.5 | 2.5 | 4.5 | 5.5 | 2.5 | 2.5 | 4.5 | 2.5 | 2.5 | 2.5 | 4.5 | 2.5 | 2.5 | 4.5 |
| 700 | 5.5 | 5.5 | 2.5 | 2.5 | 5.5 | 2.5 | 2.5 | 2.5 | 5.5 | 2.5 | 2.5 | 4.5 | 5.5 | 2.5 | 2.5 | 4.5 | 5.5 | 2.5 | 2.5 | 4.5 | 2.5 | 2.5 | 2.5 | 4.5 | 2.5 | 2.5 | 4.5 |
| 800 | 5.5 | 2.5 | 2.5 | 2.5 | 5.5 | 2.5 | 2.5 | 4.5 | 2.5 | 2.5 | 2.5 | 4.5 | 5.5 | 2.5 | 2.5 | 4.5 | 2.5 | 2.5 | 2.5 | 4.5 | 2.5 | 2.5 | 2.5 | 4.5 | 2.5 | 2.5 | 4.5 |
| 900 | 5.5 | 2.5 | 2.5 | 2.5 | 2.5 | 2.5 | 2.5 | 4.5 | 2.5 | 2.5 | 2.5 | 4.5 | 2.5 | 2.5 | 2.5 | 4.5 | 2.5 | 2.5 | 4.5 | 6 | 2.5 | 2.5 | 2.5 | 4.5 | 2.5 | 2.5 | 4.5 |
| 1000 | 5.5 | 2.5 | 2.5 | 4.5 | 2.5 | 2.5 | 2.5 | 4.5 | 2.5 | 2.5 | 2.5 | 4.5 | 2.5 | 2.5 | 4.5 | 6 | 2.5 | 2.5 | 4.5 | 8 | 2.5 | 2.5 | 4.5 | 8 | 2.5 | 4.5 | 6 |
| 1100 | 2.5 | 2.5 | 2.5 | 4.5 | 2.5 | 2.5 | 4.5 | 6 | 2.5 | 2.5 | 4.5 | 6 | 2.5 | 2.5 | 4.5 | 6 | 2.5 | 2.5 | 4.5 | 8 | 2.5 | 2.5 | 4.5 | 8 | 2.5 | 4.5 | 6 |
| 1200 | 2.5 | 2.5 | 2.5 | 4.5 | 2.5 | 2.5 | 4.5 | 6 | 2.5 | 2.5 | 4.5 | 6 | 2.5 | 4.5 | 4.5 | 8 | 2.5 | 4.5 | 6 | 8 | 4.5 | 6 | 8 | 8 | 4.5 | 6 | 8 |
| 1400 | 2.5 | 2.5 | 4.5 | 6 | 2.5 | 4.5 | 4.5 | 8 | 2.5 | 4.5 | 4.5 | 8 | 2.5 | 4.5 | 6 | 8 | 4.5 | 4.5 | 8 | 8 | 4.5 | 8 | 8 | 8 | 4.5 | 8 | 8 |
| 1600 | 2.5 | 2.5 | 4.5 | 8 | 2.5 | 4.5 | 6 | 8 | 4.5 | 4.5 | 8 | 8 | 4.5 | 4.5 | 8 | 8 | 4.5 | 6 | 8 | 8 | 4.5 | 8 | 8 | 8 | 6 | 8 | 8 |

VALVE INSERT: FACTORY PRESETTINGS

PLANAR SLIM ECO

| Height | 545 | | 645 | |
|--------|-----|-----|-----|-----|
| Type | 21 | 22 | 21 | 22 |
| 670 | 5.5 | 2.5 | 2.5 | 2.5 |
| 870 | 2.5 | 2.5 | 2.5 | 2.5 |
| 1070 | 2.5 | 2.5 | 2.5 | 4.5 |
| 1270 | 2.5 | 4.5 | 2.5 | 4.5 |
| 1470 | 2.5 | 4.5 | 4.5 | 6 |
| 1670 | 4.5 | 4.5 | 4.5 | 6 |
| 1870 | 4.5 | 6 | 6 | 8 |
| 2070 | 4.5 | 8 | 6 | 8 |

PLANAR VENTO

| Height | 400 | 600 | 900 |
|--------|-----|-----|-----|
| Type | 22 | | |
| 500 | 2.5 | 2.5 | 2.5 |
| 600 | 2.5 | 2.5 | 4.5 |
| 700 | 2.5 | 2.5 | 4.5 |
| 800 | 2.5 | 4.5 | 4.5 |
| 900 | 2.5 | 4.5 | 6 |
| 1000 | 4.5 | 4.5 | 6 |
| 1100 | 4.5 | 6 | 8 |
| 1200 | 4.5 | 6 | 8 |
| 1400 | 6 | 8 | 8 |
| 1600 | 6 | 8 | 8 |
| 1800 | 8 | 8 | |
| 2000 | 8 | 8 | |

PLANAR STYLE PLINTH (D)

PLANAR PLINTH (D) · NOVELLO PLINTH

| Height | 200 | | |
|--------|-----|-----|-----|
| Type | 22 | 33 | 44 |
| 1000 | 5.5 | 2.5 | 2.5 |
| 1200 | 2.5 | 2.5 | 2.5 |
| 1400 | 2.5 | 2.5 | 4.5 |
| 1600 | 2.5 | 2.5 | 4.5 |
| 1800 | 2.5 | 4.5 | 6 |
| 2000 | 2.5 | 4.5 | 6 |
| 2200 | 2.5 | 4.5 | 8 |
| 2400 | 4.5 | 6 | 8 |
| 2600 | 4.5 | 6 | 8 |

PLANAR ECO

| Height | 300 | | | | 400 | | | | 500 | | | | 600 | | | | 700 | | | | 900 | | | |
|--------|------|-----|-----|-----|-----|-----|-----|-----|-----|-----|-----|-----|-----|-----|-----|-----|-----|-----|-----|-----|-----|-----|-----|-----|
| | Type | 11 | 22 | 33 | 11 | 21 | 22 | 33 | 11 | 21 | 22 | 33 | 11 | 21 | 22 | 33 | 11 | 21 | 22 | 33 | 11 | 21 | 22 | 33 |
| 400 | | 5.5 | 5.5 | 5.5 | 5.5 | 5.5 | 5.5 | 5.5 | 5.5 | 5.5 | 5.5 | 2.5 | 5.5 | 5.5 | 5.5 | 2.5 | 5.5 | 5.5 | 5.5 | 2.5 | 5.5 | 5.5 | 2.5 | 2.5 |
| 500 | | 5.5 | 5.5 | 5.5 | 5.5 | 5.5 | 5.5 | 5.5 | 2.5 | 5.5 | 5.5 | 5.5 | 2.5 | 5.5 | 5.5 | 2.5 | 5.5 | 5.5 | 2.5 | 2.5 | 5.5 | 5.5 | 2.5 | 2.5 |
| 600 | | 5.5 | 5.5 | 2.5 | 5.5 | 5.5 | 5.5 | 2.5 | 2.5 | 5.5 | 5.5 | 2.5 | 2.5 | 5.5 | 2.5 | 2.5 | 2.5 | 5.5 | 2.5 | 2.5 | 2.5 | 5.5 | 2.5 | 2.5 |
| 700 | | 5.5 | 5.5 | 2.5 | 5.5 | 5.5 | 2.5 | 2.5 | 2.5 | 5.5 | 2.5 | 2.5 | 2.5 | 5.5 | 2.5 | 2.5 | 2.5 | 2.5 | 2.5 | 2.5 | 4.5 | 2.5 | 2.5 | 4.5 |
| 800 | | 5.5 | 5.5 | 2.5 | 5.5 | 5.5 | 2.5 | 2.5 | 2.5 | 5.5 | 2.5 | 2.5 | 2.5 | 2.5 | 2.5 | 2.5 | 4.5 | 2.5 | 2.5 | 2.5 | 4.5 | 2.5 | 2.5 | 4.5 |
| 900 | | 5.5 | 2.5 | 2.5 | 5.5 | 2.5 | 2.5 | 2.5 | 2.5 | 5.5 | 2.5 | 2.5 | 4.5 | 2.5 | 2.5 | 2.5 | 4.5 | 2.5 | 2.5 | 4.5 | 6 | 2.5 | 2.5 | 4.5 |
| 1000 | | 5.5 | 2.5 | 2.5 | 5.5 | 2.5 | 2.5 | 4.5 | 2.5 | 2.5 | 2.5 | 4.5 | 2.5 | 2.5 | 4.5 | 6 | 2.5 | 2.5 | 4.5 | 6 | 2.5 | 4.5 | 4.5 | 8 |
| 1100 | | 5.5 | 2.5 | 2.5 | 5.5 | 2.5 | 2.5 | 4.5 | 2.5 | 2.5 | 2.5 | 4.5 | 2.5 | 2.5 | 4.5 | 6 | 2.5 | 2.5 | 4.5 | 8 | 2.5 | 4.5 | 6 | 8 |
| 1200 | | 5.5 | 2.5 | 2.5 | 2.5 | 2.5 | 2.5 | 4.5 | 2.5 | 2.5 | 4.5 | 6 | 2.5 | 2.5 | 4.5 | 8 | 2.5 | 2.5 | 4.5 | 8 | 2.5 | 4.5 | 6 | 8 |
| 1400 | | 5.5 | 2.5 | 4.5 | 2.5 | 2.5 | 4.5 | 6 | 2.5 | 2.5 | 4.5 | 8 | 2.5 | 2.5 | 4.5 | 8 | 2.5 | 4.5 | 4.5 | 8 | 2.5 | 4.5 | 6 | 8 |
| 1600 | | | 2.5 | 4.5 | 2.5 | 2.5 | 4.5 | 6 | 2.5 | 4.5 | 6 | 8 | 2.5 | 4.5 | 6 | 8 | 2.5 | 4.5 | 6 | 8 | 4.5 | 6 | 8 | 8 |
| 1800 | | | 4.5 | 6 | 2.5 | 4.5 | 4.5 | 8 | 2.5 | 4.5 | 6 | 8 | 4.5 | 6 | 8 | 8 | 4.5 | 6 | 8 | 8 | 4.5 | 8 | 8 | 8 |
| 2000 | | | 4.5 | 6 | 2.5 | 4.5 | 6 | 8 | 4.5 | 4.5 | 8 | 8 | 4.5 | 6 | 8 | 8 | 4.5 | 8 | 8 | 8 | 6 | 8 | 8 | 8 |
| 2200 | | | 4.5 | 8 | | 4.5 | 6 | 8 | 4.5 | 6 | 8 | 8 | 4.5 | 8 | 8 | 8 | 4.5 | 8 | 8 | 8 | | | | |
| 2400 | | | 6 | 8 | | 6 | 8 | 8 | 4.5 | 6 | 8 | 8 | 6 | 8 | 8 | 8 | | | | | | | | |
| 2600 | | | 6 | | | | 8 | | | | 8 | | | | 8 | | | | | | | | | |
| 2800 | | | 6 | | | | 8 | | | | 8 | | | | 8 | | | | | | | | | |
| 3000 | | | 8 | | | | 8 | | | | 8 | | | | 8 | | | | | | | | | |

PLANAR STYLE ECO

| Height | 300 | | 400 | | | | 500 | | | | 600 | | | | 700 | | | | 900 | | | | | |
|--------|------|-----|-----|----|----|----|-----|-----|-----|-----|-----|-----|-----|-----|-----|-----|-----|-----|-----|-----|-----|-----|-----|---|
| | Type | 22 | 33 | 11 | 21 | 22 | 33 | 11 | 21 | 22 | 33 | 11 | 21 | 22 | 33 | 11 | 21 | 22 | 33 | 11 | 21 | 22 | 33 | |
| 400 | | | | | | | | 5.5 | 5.5 | 5.5 | 2.5 | 5.5 | 5.5 | 5.5 | 2.5 | 5.5 | 5.5 | 5.5 | 2.5 | 5.5 | 5.5 | 2.5 | 2.5 | |
| 500 | | 5.5 | 5.5 | | | | | 5.5 | 5.5 | 5.5 | 2.5 | 5.5 | 5.5 | 2.5 | 2.5 | 5.5 | 5.5 | 2.5 | 2.5 | 5.5 | 5.5 | 2.5 | 2.5 | |
| 600 | | | | | | | | 5.5 | 5.5 | 2.5 | 2.5 | 5.5 | 2.5 | 2.5 | 2.5 | 5.5 | 2.5 | 2.5 | 2.5 | 5.5 | 2.5 | 2.5 | 4.5 | |
| 700 | | | | | | | | 5.5 | 2.5 | 2.5 | 2.5 | 5.5 | 2.5 | 2.5 | 2.5 | 2.5 | 2.5 | 2.5 | 4.5 | 2.5 | 2.5 | 2.5 | 4.5 | |
| 800 | | 5.5 | 2.5 | | | | | 5.5 | 2.5 | 2.5 | 2.5 | 2.5 | 2.5 | 2.5 | 4.5 | 2.5 | 2.5 | 2.5 | 4.5 | 2.5 | 2.5 | 4.5 | 6 | |
| 900 | | 2.5 | 2.5 | | | | | 5.5 | 2.5 | 2.5 | 2.5 | 4.5 | 2.5 | 2.5 | 2.5 | 4.5 | 2.5 | 2.5 | 4.5 | 6 | 2.5 | 2.5 | 4.5 | 8 |
| 1000 | | 2.5 | 2.5 | | | | | 5.5 | 2.5 | 2.5 | 4.5 | 2.5 | 2.5 | 2.5 | 4.5 | 6 | 2.5 | 2.5 | 4.5 | 6 | 2.5 | 4.5 | 4.5 | 8 |
| 1200 | | 2.5 | 2.5 | | | | | 2.5 | 2.5 | 2.5 | 4.5 | 2.5 | 2.5 | 2.5 | 4.5 | 8 | 2.5 | 2.5 | 4.5 | 8 | 2.5 | 4.5 | 6 | 8 |
| 1400 | | 2.5 | 4.5 | | | | | 2.5 | 2.5 | 4.5 | 8 | 2.5 | 2.5 | 4.5 | 8 | 2.5 | 2.5 | 4.5 | 8 | 2.5 | 4.5 | 6 | 8 | |
| 1600 | | 2.5 | 4.5 | | | | | 2.5 | 2.5 | 4.5 | 8 | 2.5 | 2.5 | 4.5 | 8 | 2.5 | 4.5 | 6 | 8 | 4.5 | 6 | 8 | 8 | |
| 1800 | | 4.5 | 6 | | | | | 2.5 | 4.5 | 6 | 8 | 2.5 | 4.5 | 6 | 8 | 4.5 | 6 | 8 | 8 | 4.5 | 8 | 8 | 8 | |
| 2000 | | 4.5 | 6 | | | | | 2.5 | 4.5 | 8 | 8 | 4.5 | 4.5 | 8 | 8 | 4.5 | 8 | 8 | 8 | 4.5 | 8 | 8 | 8 | |

VALVE INSERT: FACTORY PRESETTINGS

PLANAR 8

| Height | 300 | | | | 400 | | | | 500 | | | | 600 | | | | 700 | | | | 900 | | | |
|--------|------|-----|-----|-----|-----|-----|-----|-----|-----|-----|-----|-----|-----|-----|-----|-----|-----|-----|-----|-----|-----|-----|-----|-----|
| | Type | 11 | 21 | 22 | 33 | 11 | 21 | 22 | 33 | 11 | 21 | 22 | 33 | 11 | 21 | 22 | 33 | 11 | 21 | 22 | 33 | 11 | 21 | 22 |
| 400 | 5.5 | 5.5 | 5.5 | 5.5 | 5.5 | 5.5 | 5.5 | 5.5 | 5.5 | 5.5 | 5.5 | 2.5 | 5.5 | 5.5 | 5.5 | 2.5 | 5.5 | 5.5 | 2.5 | 2.5 | 5.5 | 5.5 | 2.5 | 2.5 |
| 500 | 5.5 | 5.5 | 5.5 | 5.5 | 5.5 | 5.5 | 5.5 | 2.5 | 5.5 | 5.5 | 5.5 | 2.5 | 5.5 | 5.5 | 2.5 | 2.5 | 5.5 | 5.5 | 2.5 | 2.5 | 5.5 | 2.5 | 2.5 | 4.5 |
| 600 | 5.5 | 5.5 | 5.5 | 2.5 | 5.5 | 5.5 | 5.5 | 2.5 | 5.5 | 5.5 | 2.5 | 2.5 | 5.5 | 2.5 | 2.5 | 2.5 | 5.5 | 2.5 | 2.5 | 4.5 | 2.5 | 2.5 | 2.5 | 4.5 |
| 700 | 5.5 | 5.5 | 5.5 | 2.5 | 5.5 | 5.5 | 2.5 | 2.5 | 5.5 | 2.5 | 2.5 | 2.5 | 5.5 | 2.5 | 2.5 | 4.5 | 2.5 | 2.5 | 2.5 | 4.5 | 2.5 | 2.5 | 4.5 | 6 |
| 800 | 5.5 | 5.5 | 2.5 | 2.5 | 5.5 | 5.5 | 2.5 | 2.5 | 5.5 | 2.5 | 2.5 | 4.5 | 2.5 | 2.5 | 2.5 | 4.5 | 2.5 | 2.5 | 2.5 | 4.5 | 2.5 | 2.5 | 4.5 | 8 |
| 900 | 5.5 | 5.5 | 2.5 | 2.5 | 5.5 | 2.5 | 2.5 | 2.5 | 5.5 | 2.5 | 2.5 | 4.5 | 2.5 | 2.5 | 2.5 | 4.5 | 2.5 | 2.5 | 4.5 | 6 | 2.5 | 4.5 | 4.5 | 8 |
| 1000 | 5.5 | 5.5 | 2.5 | 2.5 | 5.5 | 2.5 | 2.5 | 4.5 | 2.5 | 2.5 | 2.5 | 4.5 | 2.5 | 2.5 | 4.5 | 6 | 2.5 | 2.5 | 4.5 | 8 | 2.5 | 4.5 | 6 | 8 |
| 1100 | 5.5 | 2.5 | 2.5 | 2.5 | 5.5 | 2.5 | 2.5 | 4.5 | 2.5 | 2.5 | 4.5 | 6 | 2.5 | 2.5 | 4.5 | 8 | 2.5 | 4.5 | 4.5 | 8 | 2.5 | 4.5 | 6 | 8 |
| 1200 | 5.5 | 2.5 | 2.5 | 4.5 | 2.5 | 2.5 | 2.5 | 4.5 | 2.5 | 2.5 | 4.5 | 6 | 2.5 | 2.5 | 4.5 | 8 | 2.5 | 4.5 | 6 | 8 | 2.5 | 4.5 | 8 | 8 |
| 1400 | 5.5 | 2.5 | 2.5 | 4.5 | 2.5 | 2.5 | 4.5 | 6 | 2.5 | 2.5 | 4.5 | 8 | 2.5 | 4.5 | 6 | 8 | 2.5 | 4.5 | 8 | 8 | 4.5 | 6 | 8 | 8 |
| 1600 | | 2.5 | 2.5 | 6 | 2.5 | 2.5 | 4.5 | 8 | 2.5 | 4.5 | 6 | 8 | 2.5 | 4.5 | 8 | 8 | 4.5 | 6 | 8 | 8 | 4.5 | 8 | 8 | 8 |
| 1800 | | 2.5 | 4.5 | 6 | 2.5 | 4.5 | 4.5 | 8 | 2.5 | 4.5 | 6 | 8 | 4.5 | 6 | 8 | 8 | 4.5 | 6 | 8 | 8 | 6 | 8 | 8 | 8 |
| 2000 | | 2.5 | 4.5 | 8 | 2.5 | 4.5 | 6 | 8 | 4.5 | 4.5 | 8 | 8 | 4.5 | 6 | 8 | 8 | 4.5 | 8 | 8 | 8 | 6 | 8 | 8 | 8 |
| 2200 | | 4.5 | 4.5 | 8 | | 4.5 | 8 | 8 | 4.5 | 6 | 8 | 8 | 4.5 | 8 | 8 | 8 | | | | | | | | |
| 2400 | | 4.5 | 6 | 8 | | 4.5 | 8 | 8 | 4.5 | 6 | 8 | 8 | 6 | 8 | 8 | 8 | | | | | | | | |
| 2600 | | | 6 | | | | 8 | | | | 8 | | | | 8 | | | | | | | | | |
| 2800 | | | 8 | | | | 8 | | | | 8 | | | | 8 | | | | | | | | | |
| 3000 | | | 8 | | | | 8 | | | | 8 | | | | 8 | | | | | | | | | |

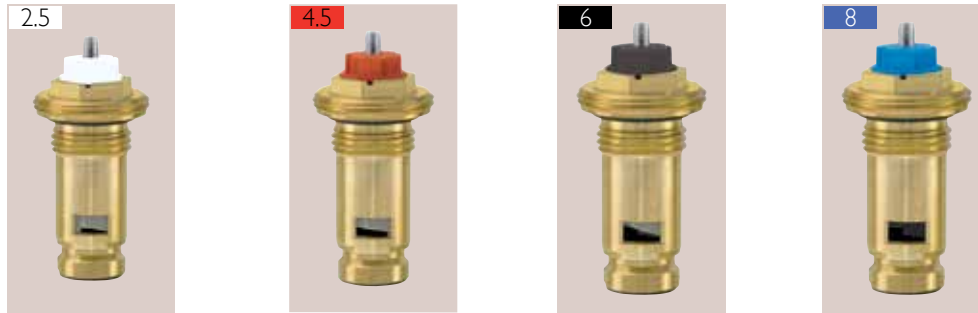
PLANAR STYLE 8

| Height | 300 | | 400 | | | | 500 | | | | 600 | | | | 700 | | | | 900 | | | | | |
|--------|------|-----|-----|----|----|----|-----|-----|-----|-----|-----|-----|-----|-----|-----|-----|-----|-----|-----|-----|-----|-----|-----|-----|
| | Type | 22 | 33 | 11 | 21 | 22 | 33 | 11 | 21 | 22 | 33 | 11 | 21 | 22 | 33 | 11 | 21 | 22 | 33 | 11 | 21 | 22 | 33 | |
| 400 | | | | | | | 5.5 | 5.5 | 5.5 | 2.5 | 5.5 | 5.5 | 5.5 | 2.5 | 5.5 | 5.5 | 5.5 | 2.5 | 5.5 | 5.5 | 2.5 | 2.5 | 5.5 | 5.5 |
| 500 | 5.5 | 5.5 | | | | | 5.5 | 5.5 | 5.5 | 2.5 | 5.5 | 5.5 | 2.5 | 2.5 | 5.5 | 5.5 | 2.5 | 2.5 | 5.5 | 5.5 | 2.5 | 2.5 | 5.5 | 2.5 |
| 600 | | | | | | | 5.5 | 5.5 | 5.5 | 2.5 | 5.5 | 5.5 | 2.5 | 2.5 | 5.5 | 5.5 | 2.5 | 2.5 | 5.5 | 2.5 | 2.5 | 4.5 | 5.5 | 2.5 |
| 700 | | | | | | | 5.5 | 5.5 | 2.5 | 2.5 | 5.5 | 2.5 | 2.5 | 2.5 | 5.5 | 2.5 | 2.5 | 4.5 | 5.5 | 2.5 | 2.5 | 4.5 | 2.5 | 2.5 |
| 800 | 5.5 | 2.5 | | | | | 5.5 | 5.5 | 2.5 | 2.5 | 5.5 | 2.5 | 2.5 | 4.5 | 5.5 | 2.5 | 2.5 | 4.5 | 2.5 | 2.5 | 2.5 | 4.5 | 6 | 2.5 |
| 900 | 2.5 | 2.5 | | | | | 5.5 | 2.5 | 2.5 | 2.5 | 5.5 | 2.5 | 2.5 | 4.5 | 2.5 | 2.5 | 2.5 | 4.5 | 2.5 | 2.5 | 4.5 | 6 | 2.5 | 2.5 |
| 1000 | 2.5 | 2.5 | | | | | 5.5 | 2.5 | 2.5 | 4.5 | 2.5 | 2.5 | 2.5 | 4.5 | 2.5 | 2.5 | 4.5 | 6 | 2.5 | 2.5 | 4.5 | 6 | 2.5 | 2.5 |
| 1200 | 2.5 | 4.5 | | | | | 2.5 | 2.5 | 2.5 | 4.5 | 2.5 | 2.5 | 4.5 | 6 | 2.5 | 2.5 | 4.5 | 8 | 2.5 | 4.5 | 6 | 8 | 2.5 | 4.5 |
| 1400 | 2.5 | 4.5 | | | | | 2.5 | 2.5 | 4.5 | 6 | 2.5 | 2.5 | 4.5 | 8 | 2.5 | 4.5 | 6 | 8 | 2.5 | 4.5 | 6 | 8 | 4.5 | 6 |
| 1600 | 2.5 | 4.5 | | | | | 2.5 | 2.5 | 4.5 | 8 | 2.5 | 4.5 | 6 | 8 | 2.5 | 4.5 | 6 | 8 | 4.5 | 6 | 8 | 8 | 4.5 | 6 |
| 1800 | 4.5 | 6 | | | | | 2.5 | 4.5 | 4.5 | 8 | 2.5 | 4.5 | 6 | 8 | 4.5 | 6 | 8 | 8 | 4.5 | 6 | 8 | 8 | 6 | 8 |
| 2000 | 4.5 | 8 | | | | | 2.5 | 4.5 | 6 | 8 | 2.5 | 4.5 | 6 | 8 | 4.5 | 6 | 8 | 8 | 4.5 | 8 | 8 | 8 | 6 | 8 |

NOVELLO 8

| Height | 300 | | | | 400 | | | | 500 | | | | 600 | | | | 700 | | | | 900 | | | |
|--------|------|-----|-----|-----|-----|-----|-----|-----|-----|-----|-----|-----|-----|-----|-----|-----|-----|-----|-----|-----|-----|-----|-----|-----|
| | Type | 11 | 21 | 22 | 33 | 11 | 21 | 22 | 33 | 11 | 21 | 22 | 33 | 11 | 21 | 22 | 33 | 11 | 21 | 22 | 33 | 11 | 21 | 22 |
| 400 | 5.5 | 5.5 | 5.5 | 5.5 | 5.5 | 5.5 | 5.5 | 5.5 | 5.5 | 5.5 | 5.5 | 2.5 | 5.5 | 5.5 | 5.5 | 2.5 | 5.5 | 5.5 | 2.5 | 2.5 | 5.5 | 5.5 | 2.5 | 2.5 |
| 500 | 5.5 | 5.5 | 5.5 | 5.5 | 5.5 | 5.5 | 5.5 | 5.5 | 2.5 | 5.5 | 5.5 | 2.5 | 2.5 | 5.5 | 5.5 | 2.5 | 2.5 | 5.5 | 5.5 | 2.5 | 2.5 | 5.5 | 2.5 | 2.5 |
| 600 | 5.5 | 5.5 | 5.5 | 2.5 | 5.5 | 5.5 | 2.5 | 2.5 | 5.5 | 5.5 | 2.5 | 2.5 | 5.5 | 2.5 | 2.5 | 2.5 | 5.5 | 2.5 | 2.5 | 4.5 | 2.5 | 2.5 | 2.5 | 4.5 |
| 700 | 5.5 | 5.5 | 5.5 | 2.5 | 5.5 | 5.5 | 2.5 | 2.5 | 5.5 | 2.5 | 2.5 | 2.5 | 5.5 | 2.5 | 2.5 | 4.5 | 2.5 | 2.5 | 2.5 | 4.5 | 2.5 | 2.5 | 4.5 | 6 |
| 800 | 5.5 | 5.5 | 2.5 | 2.5 | 5.5 | 2.5 | 2.5 | 2.5 | 5.5 | 2.5 | 2.5 | 4.5 | 2.5 | 2.5 | 2.5 | 4.5 | 2.5 | 2.5 | 4.5 | 6 | 2.5 | 2.5 | 4.5 | 8 |
| 900 | 5.5 | 5.5 | 2.5 | 2.5 | 5.5 | 2.5 | 2.5 | 4.5 | 2.5 | 2.5 | 2.5 | 4.5 | 2.5 | 2.5 | 4.5 | 6 | 2.5 | 2.5 | 2.5 | 4.5 | 6 | 2.5 | 4.5 | 6 |
| 1000 | 5.5 | 2.5 | 2.5 | 2.5 | 5.5 | 2.5 | 2.5 | 4.5 | 2.5 | 2.5 | 2.5 | 4.5 | 2.5 | 2.5 | 4.5 | 6 | 2.5 | 4.5 | 4.5 | 8 | 2.5 | 4.5 | 6 | 8 |
| 1100 | 5.5 | 2.5 | 2.5 | 2.5 | 5.5 | 2.5 | 2.5 | 4.5 | 2.5 | 2.5 | 4.5 | 6 | 2.5 | 2.5 | 4.5 | 8 | 2.5 | 4.5 | 6 | 8 | 2.5 | 4.5 | 8 | 8 |
| 1200 | 5.5 | 2.5 | 2.5 | 4.5 | 2.5 | 2.5 | 2.5 | 4.5 | 2.5 | 2.5 | 4.5 | 6 | 2.5 | 4.5 | 4.5 | 8 | 2.5 | 4.5 | 6 | 8 | 4.5 | 6 | 8 | 8 |
| 1400 | 5.5 | 2.5 | 2.5 | 4.5 | 2.5 | 2.5 | 4.5 | 6 | 2.5 | 4.5 | 4.5 | 8 | 2.5 | 4.5 | 6 | 8 | 4.5 | 4.5 | 8 | 8 | 4.5 | 8 | 8 | 8 |
| 1600 | | 2.5 | 4.5 | 6 | 2.5 | 4.5 | 4.5 | 8 | 2.5 | 4.5 | 6 | 8 | 4.5 | 6 | 8 | 8 | 4.5 | 6 | 8 | 8 | 6 | 8 | 8 | 8 |
| 1800 | | 2.5 | 4.5 | 6 | 2.5 | 4.5 | 6 | 8 | 2.5 | 4.5 | 8 | 8 | 4.5 | 6 | 8 | 8 | 4.5 | 8 | 8 | 8 | 6 | 8 | 8 | 8 |
| 2000 | | 2.5 | 4.5 | 8 | 2.5 | 4.5 | 6 | 8 | 4.5 | 6 | 8 | 8 | 4.5 | 8 | 8 | 8 | 6 | 8 | 8 | 8 | 8 | 8 | 8 | 8 |
| 2200 | | 4.5 | 6 | 8 | | 4.5 | 8 | 8 | 4.5 | 6 | 8 | 8 | 6 | 8 | 8 | 8 | | | | | | | | |
| 2400 | | 4.5 | 6 | 8 | | 6 | 8 | 8 | 4.5 | 8 | 8 | 8 | 6 | 8 | 8 | 8 | | | | | | | | |
| 2600 | | | 6 | | | | 8 | | | | 8 | | | | 8 | | | | | | | | | |
| 2800 | | | 8 | | | | 8 | | | | 8 | | | | 8 | | | | | | | | | |
| 3000 | | | 8 | | | | 8 | | | | 8 | | | | 8 | | | | | | | | | |

VALVE INSERT: SETTING READJUSTEMENT (VALVE INSERT 4368)



Max. 1 K P-band 4368

| mass flow radiator \dot{Q} [W] | 200 | 250 | 300 | 400 | 500 | 600 | 700 | 800 | 900 | 1000 | 1200 | 1400 | 1600 | 1800 | 2000 | 2200 | 2400 | 2600 | 2800 | 3000 | 3200 | 3400 | 3600 | 3800 | 4000 | 4800 | 5300 | 6500 | 6800 | 7200 | | |
|-------------------------------------|--------------|-----|-----|-----|-----|-----|-----|-----|-----|------|------|------|------|------|------|------|------|------|------|------|------|------|------|------|------|------|------|------|------|------|---|---|
| Δt [K] Δp [mbar] | preset value | | | | | | | | | | | | | | | | | | | | | | | | | | | | | | | |
| 10 / 50 | 1 | 1 | 1 | 2 | 3 | 3 | 4 | 5 | 6 | 7 | | | | | | | | | | | | | | | | | | | | | | |
| 10 / 100 | 1 | 1 | 1 | 1 | 2 | 2 | 3 | 3 | 4 | 4 | 5 | 7 | | | | | | | | | | | | | | | | | | | | |
| 10 / 150 | 1 | 1 | 1 | 1 | 1 | 2 | 2 | 2 | 3 | 3 | 4 | 5 | 6 | 8 | | | | | | | | | | | | | | | | | | |
| 15 / 50 | 1 | 1 | 1 | 1 | 2 | 2 | 2 | 3 | 3 | 4 | 5 | 6 | | | | | | | | | | | | | | | | | | | | |
| 15 / 100 | 1 | 1 | 1 | 1 | 1 | 1 | 2 | 2 | 2 | 2 | 3 | 4 | 5 | 5 | 6 | 8 | | | | | | | | | | | | | | | | |
| 15 / 150 | 1 | 1 | 1 | 1 | 1 | 1 | 1 | 1 | 2 | 2 | 2 | 3 | 3 | 4 | 5 | 5 | 6 | 7 | | | | | | | | | | | | | | |
| 20 / 50 | 1 | 1 | 1 | 1 | 1 | 1 | 2 | 2 | 2 | 3 | 3 | 4 | 5 | 6 | 7 | | | | | | | | | | | | | | | | | |
| 20 / 100 | 1 | 1 | 1 | 1 | 1 | 1 | 1 | 1 | 2 | 2 | 2 | 3 | 3 | 4 | 4 | 5 | 5 | 6 | 7 | | | | | | | | | | | | | |
| 20 / 150 | 1 | 1 | 1 | 1 | 1 | 1 | 1 | 1 | 1 | 1 | 2 | 2 | 2 | 3 | 3 | 4 | 4 | 5 | 5 | 6 | | | | | | | | | | | | |
| 40 / 50 | 1 | 1 | 1 | 1 | 1 | 1 | 1 | 1 | 1 | 1 | 1 | 2 | 2 | 2 | 3 | 3 | 3 | 4 | 4 | 5 | | | | | | | | | | | | |
| 40 / 100 | 1 | 1 | 1 | 1 | 1 | 1 | 1 | 1 | 1 | 1 | 1 | 1 | 1 | 1 | 2 | 2 | 2 | 2 | 3 | 3 | 3 | 3 | 4 | 4 | 4 | | | 5 | 6 | | | |
| 40 / 150 | 1 | 1 | 1 | 1 | 1 | 1 | 1 | 1 | 1 | 1 | 1 | 1 | 1 | 1 | 1 | 1 | 1 | 1 | 1 | 2 | 2 | 2 | 2 | 2 | 3 | | | 4 | 5 | 6 | 7 | 8 |

\dot{Q} = heat output Δp = pressure drop Δt = temperature spread 100 mbar = 10kPa = 1mWS

Max. 2 K P-band 4368

| mass flow radiator \dot{Q} [W] | 200 | 250 | 300 | 400 | 500 | 600 | 700 | 800 | 900 | 1000 | 1200 | 1400 | 1600 | 1800 | 2000 | 2200 | 2400 | 2600 | 2800 | 3000 | 3200 | 3400 | 3600 | 3800 | 4000 | 4800 | 5300 | 6500 | 6800 | 7200 | | |
|-------------------------------------|--------------|-----|-----|-----|-----|-----|-----|-----|-----|------|------|------|------|------|------|------|------|------|------|------|------|------|------|------|------|------|------|------|------|------|---|---|
| Δt [K] Δp [mbar] | preset value | | | | | | | | | | | | | | | | | | | | | | | | | | | | | | | |
| 10 / 50 | 1 | 1 | 1 | 2 | 2 | 3 | 3 | 3 | 4 | 5 | 5 | 6 | 7 | 8 | | | | | | | | | | | | | | | | | | |
| 10 / 100 | 1 | 1 | 1 | 1 | 2 | 2 | 2 | 2 | 3 | 3 | 3 | 4 | 5 | 5 | 6 | 7 | 8 | | | | | | | | | | | | | | | |
| 10 / 150 | 1 | 1 | 1 | 1 | 1 | 2 | 2 | 2 | 2 | 3 | 3 | 4 | 4 | 5 | 5 | 6 | 6 | 7 | 8 | | | | | | | | | | | | | |
| 15 / 50 | 1 | 1 | 1 | 1 | 1 | 2 | 2 | 2 | 3 | 3 | 3 | 4 | 5 | 5 | 6 | 6 | 7 | 8 | 8 | | | | | | | | | | | | | |
| 15 / 100 | 1 | 1 | 1 | 1 | 1 | 1 | 1 | 1 | 2 | 2 | 2 | 3 | 3 | 4 | 4 | 5 | 5 | 6 | 6 | 6 | | | | | | | | | | | | |
| 15 / 150 | 1 | 1 | 1 | 1 | 1 | 1 | 1 | 1 | 2 | 2 | 2 | 2 | 3 | 3 | 3 | 4 | 4 | 5 | 5 | 5 | | | | | | | | | | | | |
| 20 / 50 | 1 | 1 | 1 | 1 | 1 | 1 | 2 | 2 | 2 | 2 | 3 | 3 | 3 | 4 | 5 | 5 | 5 | 6 | 6 | 7 | | | | | | | | | | | | |
| 20 / 100 | 1 | 1 | 1 | 1 | 1 | 1 | 1 | 1 | 1 | 2 | 2 | 2 | 2 | 3 | 3 | 3 | 4 | 4 | 5 | 5 | 5 | 5 | 6 | 6 | 6 | | | 7 | 8 | | | |
| 20 / 150 | 1 | 1 | 1 | 1 | 1 | 1 | 1 | 1 | 1 | 1 | 2 | 2 | 2 | 2 | 3 | 3 | 3 | 3 | 4 | 4 | 4 | 4 | 5 | 5 | 5 | | | 6 | 7 | 8 | | |
| 40 / 50 | 1 | 1 | 1 | 1 | 1 | 1 | 1 | 1 | 1 | 1 | 1 | 2 | 2 | 2 | 2 | 2 | 3 | 3 | 3 | 3 | 3 | 4 | 4 | 4 | 5 | | | 5 | 6 | 7 | 7 | 8 |
| 40 / 100 | 1 | 1 | 1 | 1 | 1 | 1 | 1 | 1 | 1 | 1 | 1 | 1 | 1 | 1 | 2 | 2 | 2 | 2 | 2 | 2 | 2 | 3 | 3 | 3 | 3 | | | 4 | 4 | 5 | 5 | 6 |
| 40 / 150 | 1 | 1 | 1 | 1 | 1 | 1 | 1 | 1 | 1 | 1 | 1 | 1 | 1 | 1 | 1 | 1 | 2 | 2 | 2 | 2 | 2 | 2 | 2 | 2 | 3 | | | 3 | 3 | 4 | 4 | 5 |

\dot{Q} = heat output Δp = pressure drop Δt = temperature spread 100 mbar = 10kPa = 1mWS

Solution:

Novello ECO T22 500 x 1400 to operate at:

- 60/40/20°C
- Pressure drop Δp = 50mbar

Factory-fitted insert:
Heat output at 60/40/20°C:
 Δt =

Red (4368, preset at 4,5).
1008 watt
20°C (=60-40)

According to table above:

- P-band 1K: readjust to position 3.
- P-band 2K: readjust to position 2.

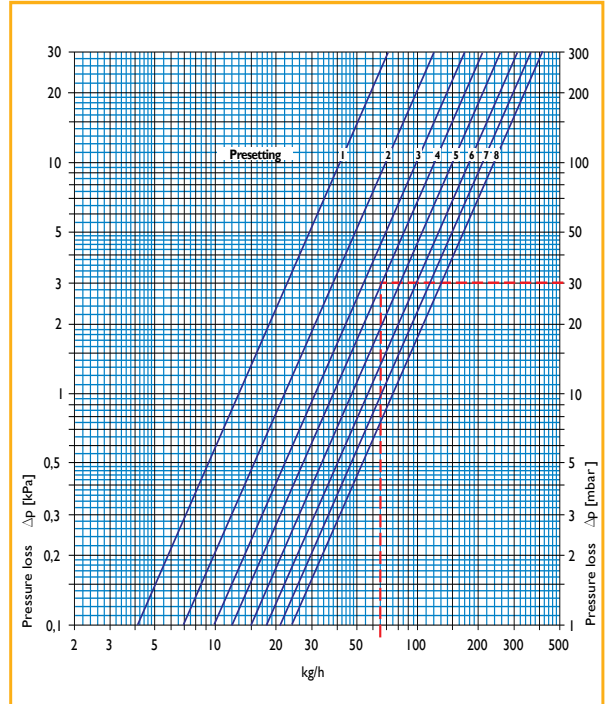
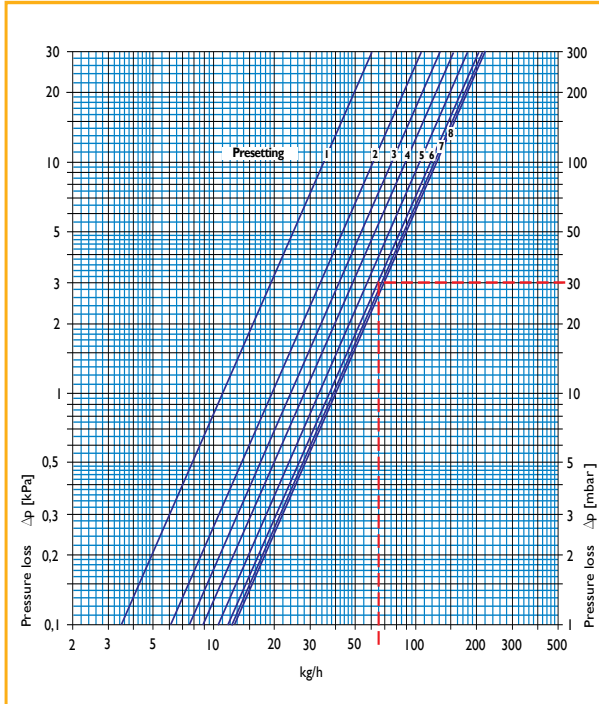
PRESSURE DROP

valve radiators without connection accessories
with normal setting valve insert (Art. N°. 4368)

p-band [xp] 1,0 K

Information supplied by Heimeier

p-band [xp] 2,0 K



| Radiator with integrated valves without connection fitting | | Presetting Thermostatic insert | | | | | | | | Permissible operating temperature TB* [°C] | Permissible operating pressure PB [bar] | Permissible differential pressure at which the valve still closes Δp [bar] | | | |
|--|-----------------|-----------------------------------|------|------|------|------|------|------|------|--|---|---|---|-----------------------|-----|
| | | 1 | 2 | 3 | 4 | 5 | 6 | 7 | 8 | | | Therm. head | EMO T/NC EMOtec/NC EMO I/3 EMO EIB/LON | EMO T/NO EMOtec/NO | |
| Thermostatic insert and thermostatic head | p-band xp 1,0 K | K_v value [m³/h] | 0,12 | 0,19 | 0,24 | 0,28 | 0,33 | 0,37 | 0,39 | 0,40 | 120 | 10 | 4,0 | 2,7 | 3,5 |
| | p-band xp 2,0 K | K_v value [m³/h] | 0,13 | 0,22 | 0,31 | 0,38 | 0,47 | 0,57 | 0,66 | 0,75 | | | | | |
| | | k_{vs} value [m³/h] | 0,16 | 0,27 | 0,38 | 0,43 | 0,65 | 0,98 | 1,23 | 1,43 | | | | | |
| | | Flow tolerance ± [%] | 40 | 30 | 25 | 23 | 17 | 15 | 12 | 10 | | | | | |

*With protective cap or actuator 100 °C.

Calculation example

Target: Setting range

Given: Heat output $\dot{Q} = 1135 \text{ W}$
Temperature spread $\Delta t = 15 \text{ K (65/50 °C)}$
Pressure loss, radiator with integrated valves $\Delta p_v = 30 \text{ mbar}$

Solution: Mass flow rate $\dot{m} = \frac{\dot{Q}}{c \cdot \Delta t} = \frac{1135}{1,163 \cdot 15} = 65 \text{ kg/h}$

Setting range from diagram:
At p-band 1,0 K : 6
At p-band 2,0 K : 4

PRESSURE DROP

valve radiators without connection accessories
with fine setting valve insert (Art. N° 4369)

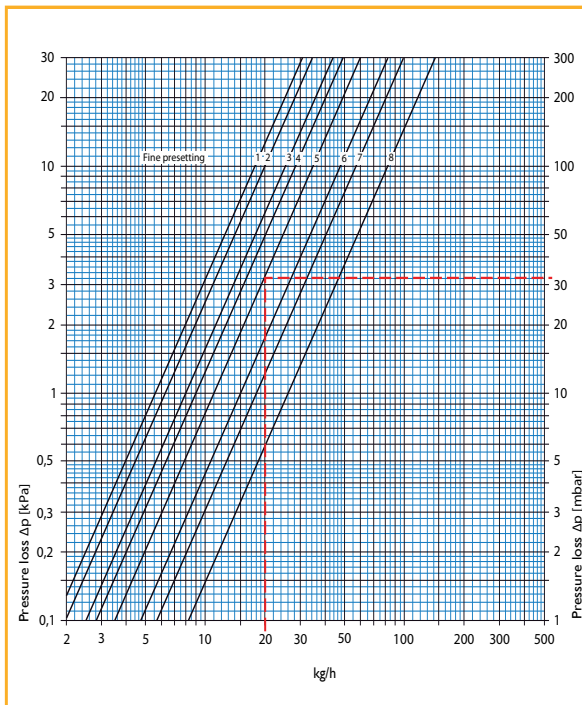
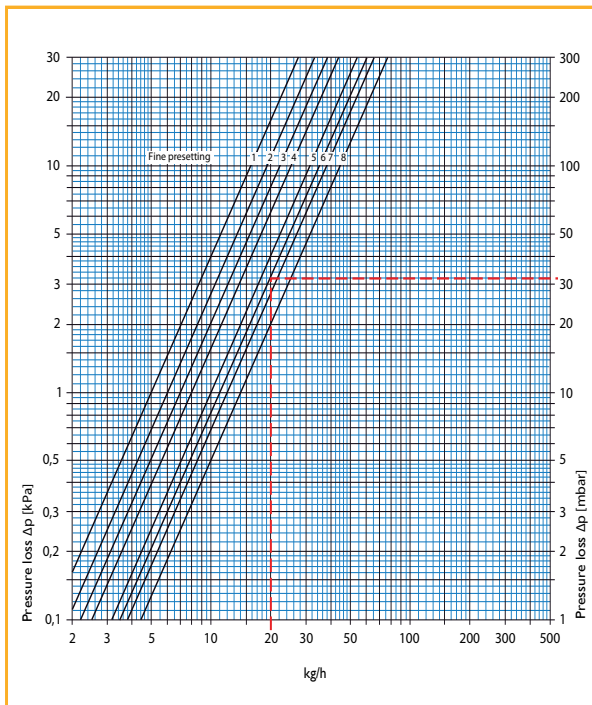
p-band [xp] 1,0 K

Information supplied by Heimeier

p-band [xp] 2,0 K



5.5



| Radiator with integrated valves without connection fitting | | | Fine presetting | | | | | | | | Permissible operating temperature TB* [°C] | Permissible operating pressure PB [bar] | Permissible differential pressure at which the valve still closes Δp [bar] | | | |
|---|-------------------|----------------------------|---------------------|------|------|------|------|------|------|------|---|--|--|---|-----------------------|--|
| | | | Thermostatic insert | | | | | | | | | | Therm. head | EMO T/NC EMOrec/NC EMO I/β EMO EBI/LON | EMO T/NO EMOrec/NO | |
| Thermostatic insert and thermostatic head | p-band xp1,0 K | K_V -Value [m³/h] | 0,05 | 0,06 | 0,07 | 0,08 | 0,10 | 0,11 | 0,12 | 0,14 | 120 | 10 | 4,0 | 2,7 | 3,5 | |
| | p-band xp2,0 K | K_V -Value [m³/h] | 0,06 | 0,06 | 0,08 | 0,09 | 0,11 | 0,15 | 0,18 | 0,26 | | | | | | |
| | | k_{VS} -Value [m³/h] | 0,06 | 0,07 | 0,08 | 0,10 | 0,12 | 0,17 | 0,25 | 0,50 | | | | | | |
| | | Flow tolerance ± [%] | 42 | 42 | 37 | 36 | 35 | 32 | 30 | 10 | | | | | | |

* With protective cap or actuator 100°C

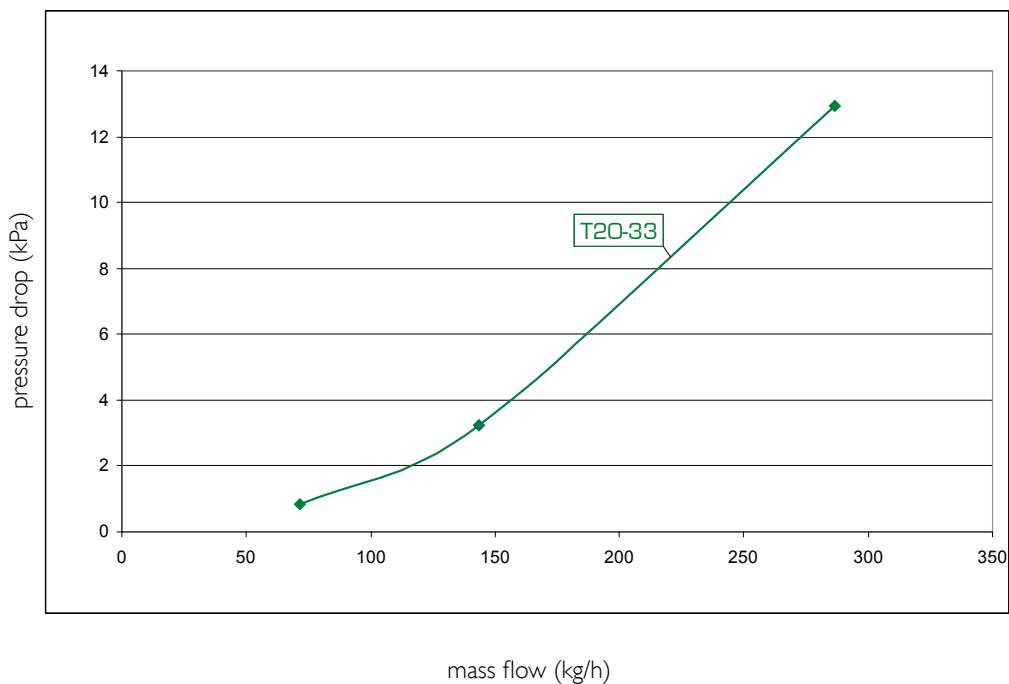
Calculation example

| | | |
|------------------|--|---|
| Target: | Setting range | |
| Given: | Heat output | $\dot{Q} = 350 \text{ W}$ |
| | Temperature spread | $\Delta t = 15 \text{ K (65/50 °C)}$ |
| | Pressure loss, radiator, with integrated valves | $\Delta p_v = 32 \text{ mbar}$ |
| Solution: | Mass flow rate | $\dot{m} = \frac{\dot{Q}}{c \cdot \Delta t} = \frac{350}{1,163 \cdot 15} = 20 \text{ kg/h}$ |

Setting from diagram:
At p-band 1,0 K : 6
At p-band 2,0 K : 5

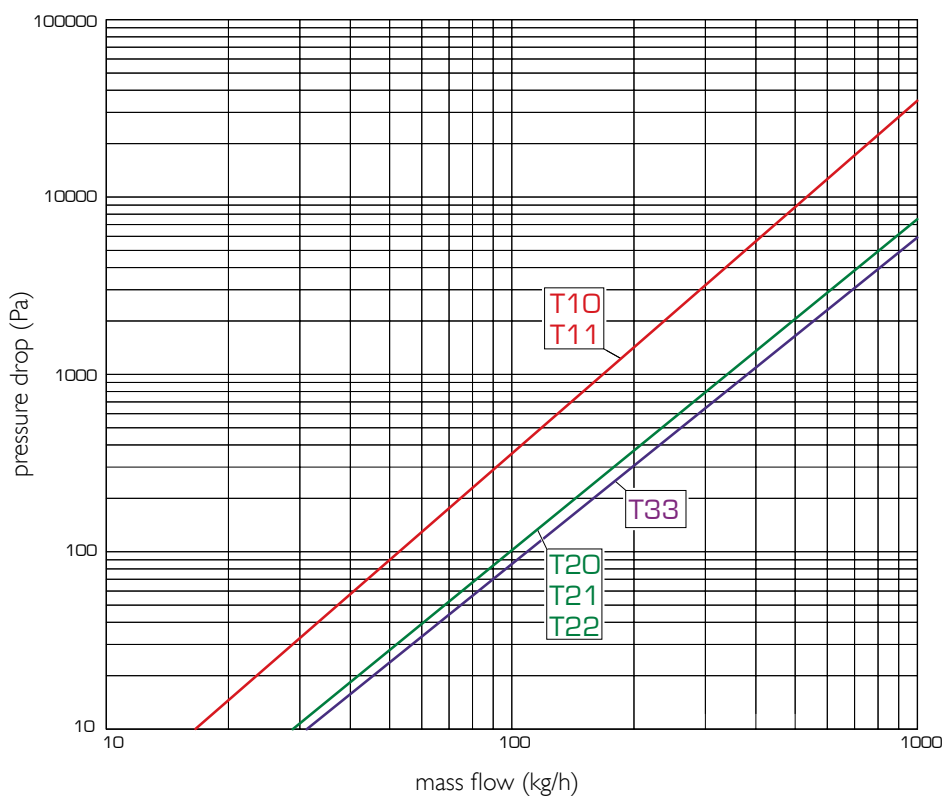
PRESSURE DROP

Novello ECO · Hygiene ECO · Planar Slim ECO · Planar ECO
 Planar Style ECO · ECO Galva · Hygiene ECO Galva



Graph is valid for the radiator only, so without the valve insert.

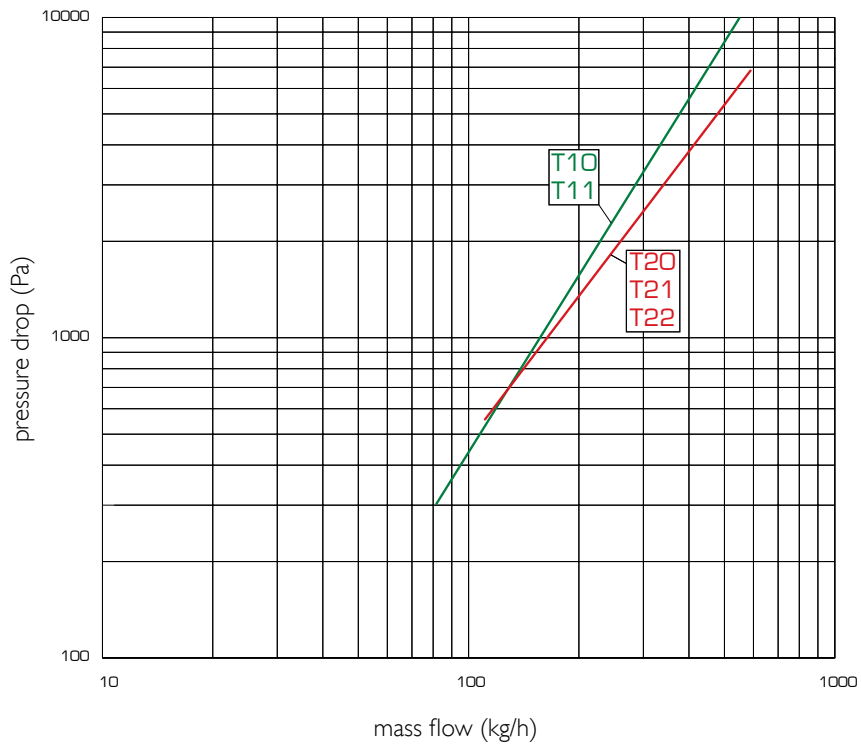
Compact VENTO · Compact Planar · Compact Style · Reno Planar · Reno · Galva · Hygiene Galva
 Hygiene · Compact All In · Accord All In - Without valve insert: Plinth radiators · Planar VENTO
 Planar 8 · Planar Style 8 · Hygiene Planar 8 · Planar · Novello 8 · Novello



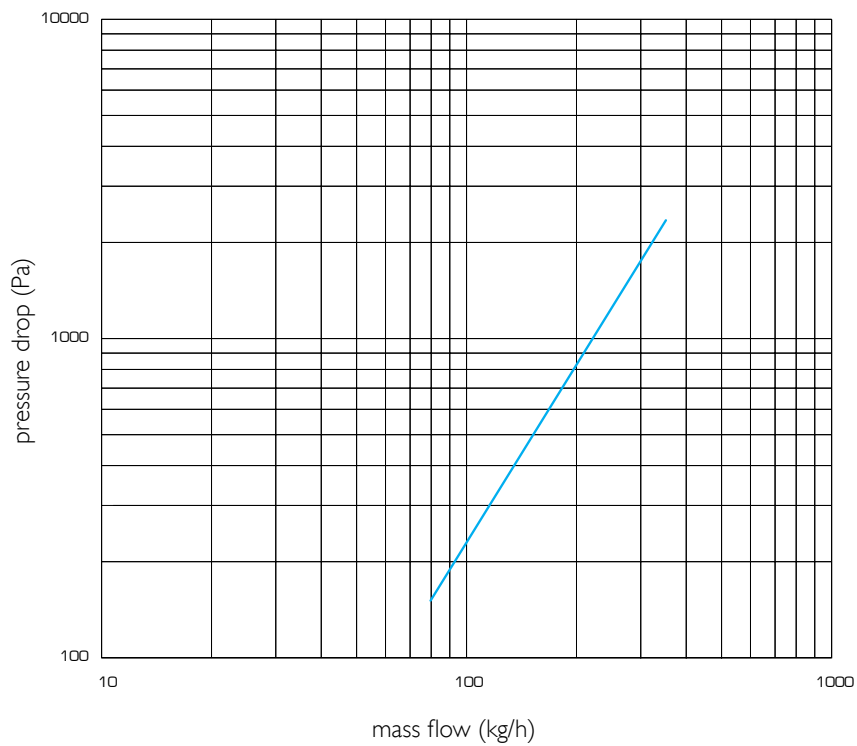
Graph is valid for the radiator only, so without the valve insert.

PRESSURE DROP

Vertex Swing · Vertex Tango · Vertex Slim · Vertex Plan · Vertex Style · Vertical Galva · Vertex



Dahlia · Dahlia CT · Valeriana · Valeriana CT

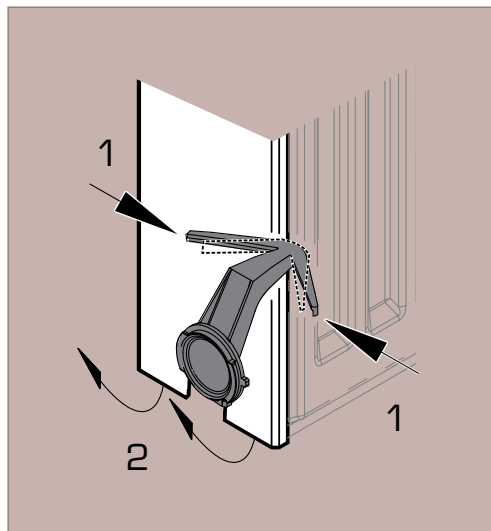


MOUNTING & DISMOUNTING - Dressing

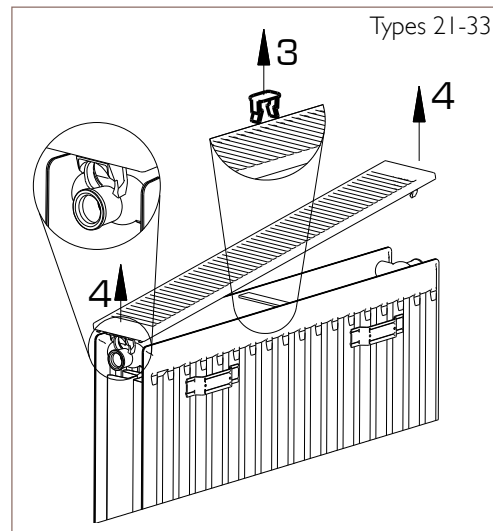
Novello ECO · Planar ECO · Planar Style ECO

Types 21/22/33

Dismounting

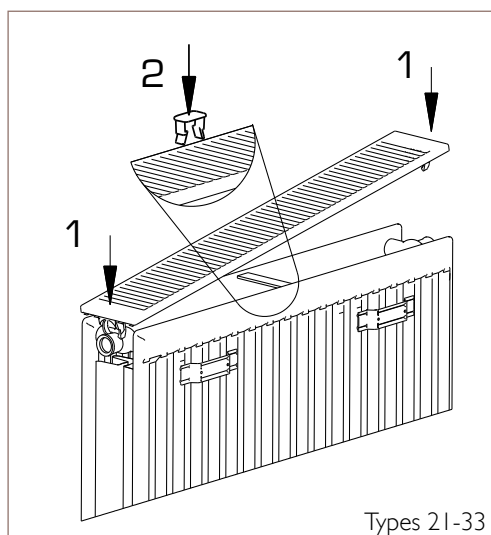


Sides

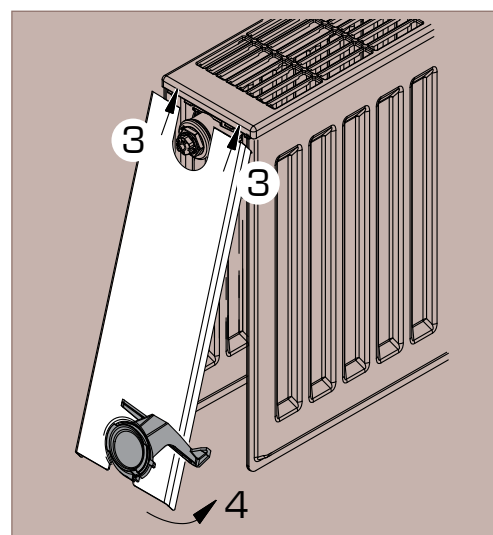


Grille

Mounting



Grille

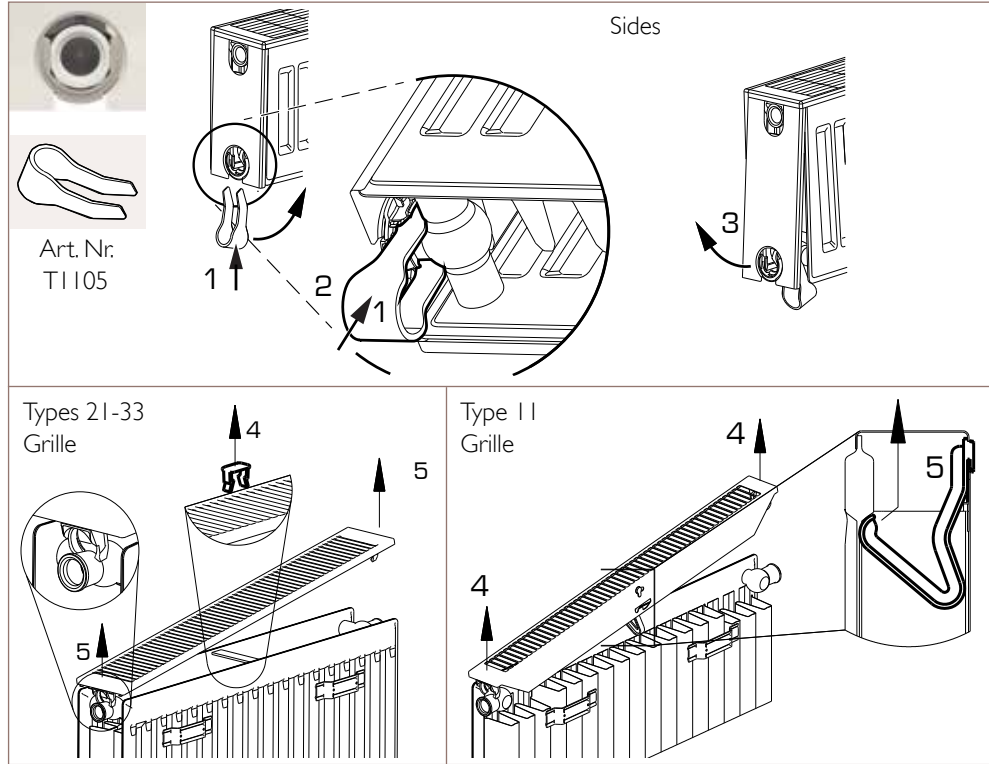


Sides

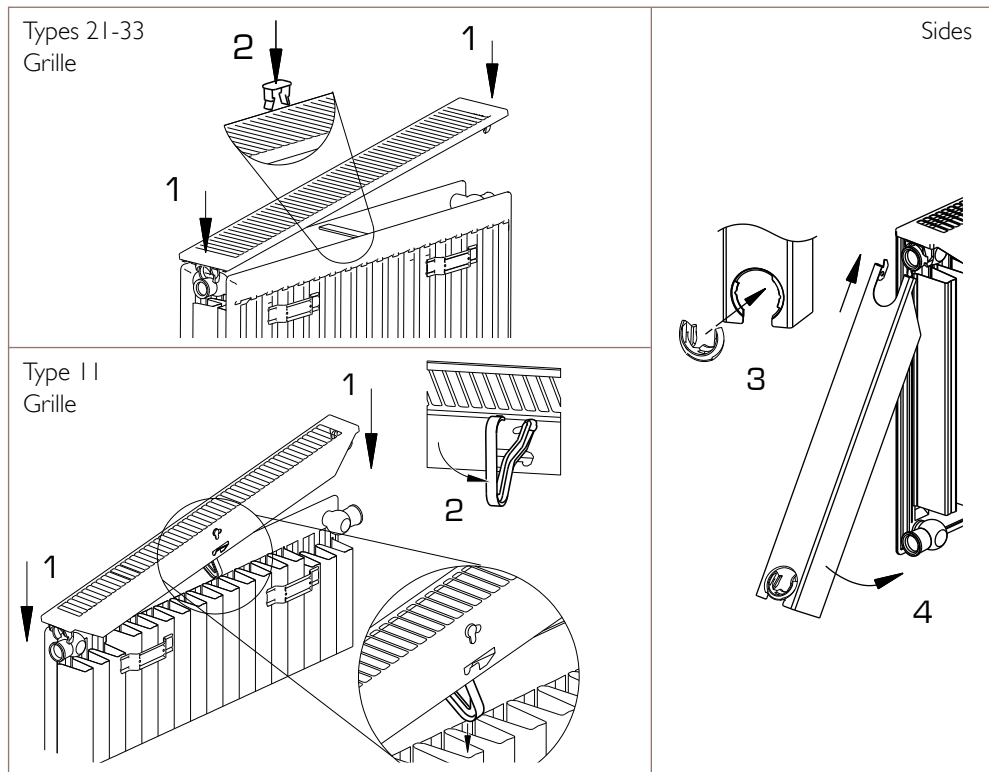
MOUNTING & DISMOUNTING - Dressing

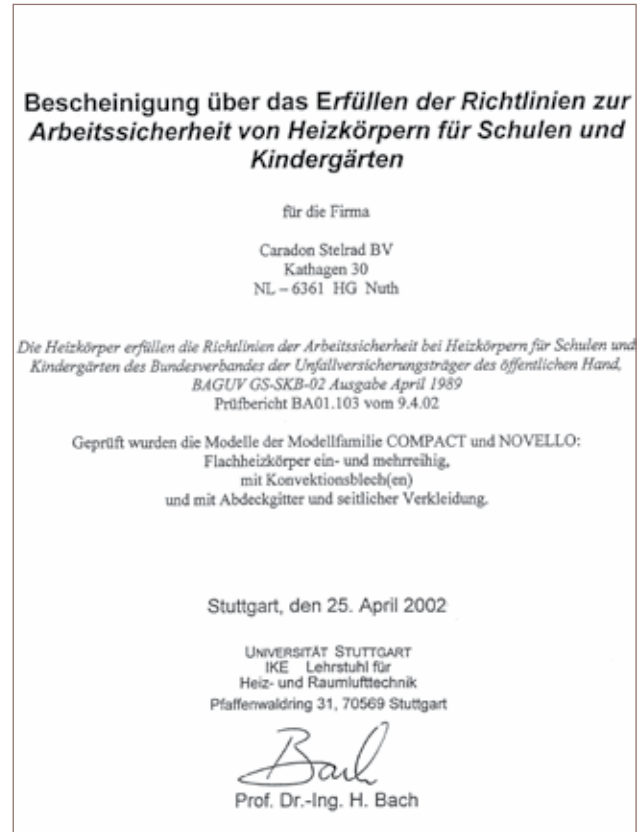
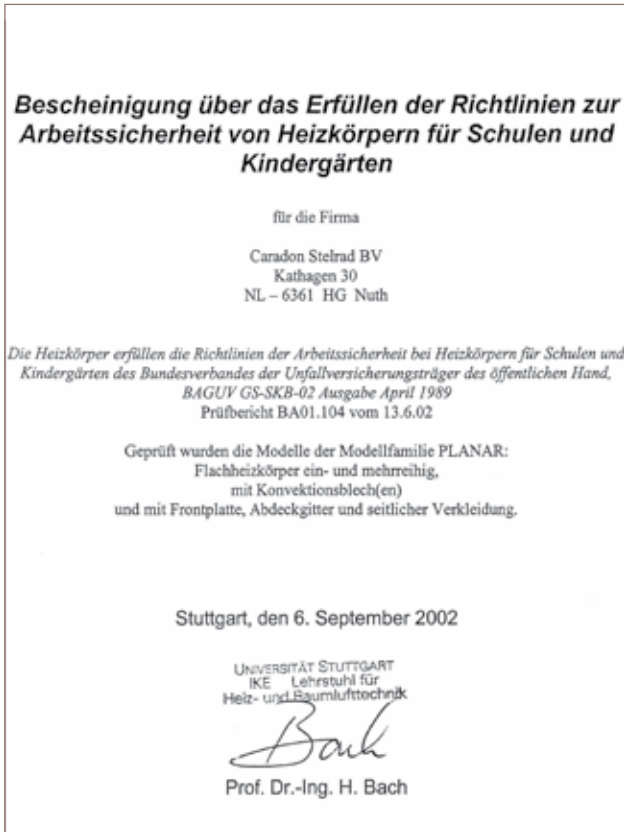
Planar VENTO · Compact VENTO · Novello ECO (Type II) · Planar ECO (Type II)
 Planar Style ECO (Type II) · Planar 8 · Planar Style 8 · Planar · Compact Planar · Compact Style
 Planar Plinth · Planar Style Plinth · Planar Plinth D · Planar Style Plinth D · Novello Plinth ·
 Reno Planar · Reno · Novello 8 · Novello · Compact All In

Dismounting



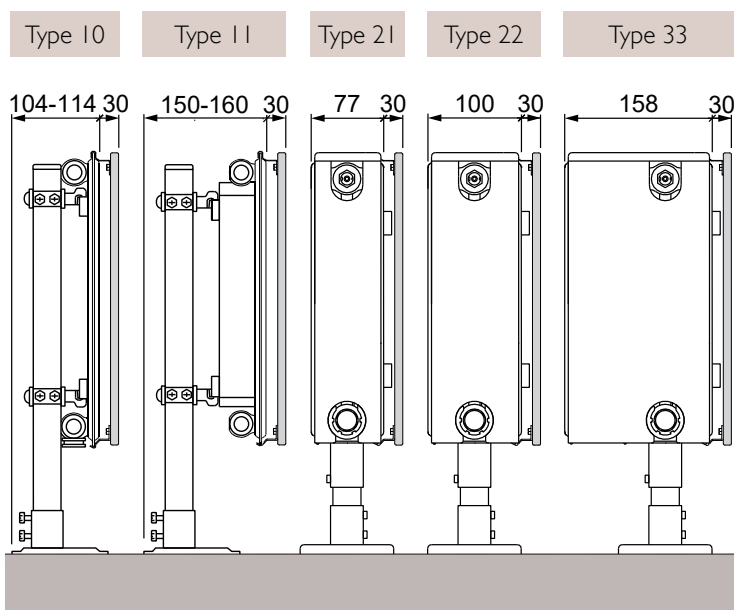
Mounting



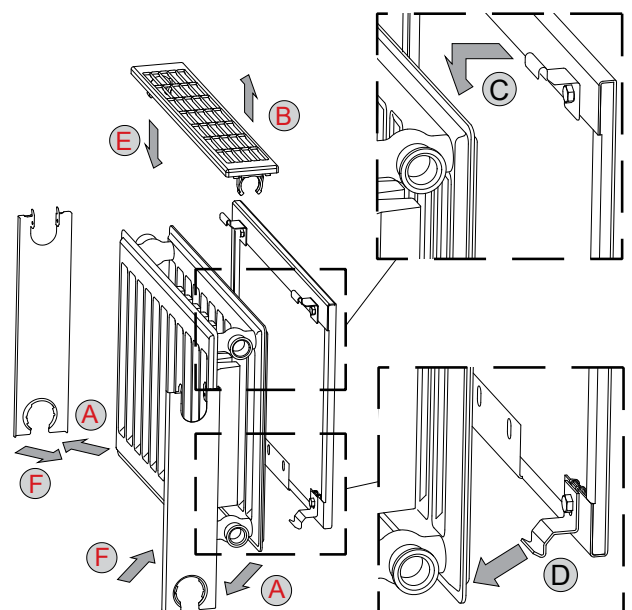


Compact All In, Novello and Planar comply to the occupational safety guidelines for schools and kindergartens of the "Bundesverband der Unfallversicherungsträger der öffentlichen Hand" (German federation of accident insurances for the public service), BAGUV GS-SKB-02 version April 1989.

HEAT SCREEN



Colour: Stelrad white 9016 only





(Hygiene ECO - T20)



For optimal cleaning and hygiene

EN442 COMPLIANCE

Stelrad radiators comply with EN442, the only valid and accepted radiator standard in Europe.

This standard determines:

- the method of measuring heat outputs
- the minimum steel thickness for water containing parts
- the steel quality of the radiator according to EN10130 and EN10131
- the verification of corrosion resistance of the radiator according to accepted standards

In addition, most Stelrad radiators and their production process are audited annually by internationally accepted quality labels NF and RAL.



TEMPERATURE CORRECTION FACTORS

EN442 75/65/20°C

| | | Inlet temp. t_v [°C] | | Room temp. t_r [°C] | | | | | | | | | | |
|----|----|---------------------------|-------|--------------------------|------|------|------|------|------|------|------|------|------|------|
| | | 25 | 30 | 35 | 40 | 45 | 50 | 55 | 60 | 65 | 70 | 75 | 80 | 85 |
| 90 | 26 | | 2,96 | 2,11 | 1,72 | 1,47 | 1,30 | 1,17 | 1,07 | 0,98 | 0,91 | 0,86 | 0,81 | 0,76 |
| | 24 | 4,56 | 2,45 | 1,88 | 1,57 | 1,36 | 1,21 | 1,10 | 1,01 | 0,93 | 0,87 | 0,82 | 0,77 | 0,73 |
| | 22 | 3,11 | 2,11 | 1,69 | 1,44 | 1,27 | 1,14 | 1,04 | 0,96 | 0,89 | 0,83 | 0,78 | 0,74 | 0,70 |
| | 20 | 2,50 | 1,87 | 1,54 | 1,33 | 1,19 | 1,07 | 0,98 | 0,91 | 0,85 | 0,80 | 0,75 | 0,71 | 0,67 |
| | 18 | 2,13 | 1,68 | 1,42 | 1,24 | 1,11 | 1,01 | 0,93 | 0,87 | 0,81 | 0,76 | 0,72 | 0,68 | 0,65 |
| | 15 | 1,76 | 1,46 | 1,26 | 1,13 | 1,02 | 0,93 | 0,87 | 0,81 | 0,76 | 0,72 | 0,68 | 0,64 | 0,61 |
| 85 | 26 | | 3,19 | 2,26 | 1,83 | 1,57 | 1,38 | 1,24 | 1,13 | 1,04 | 0,97 | 0,90 | 0,85 | |
| | 24 | 4,94 | 2,63 | 2,00 | 1,67 | 1,45 | 1,29 | 1,16 | 1,07 | 0,99 | 0,92 | 0,86 | 0,81 | |
| | 22 | 3,34 | 2,26 | 1,80 | 1,53 | 1,34 | 1,21 | 1,10 | 1,01 | 0,94 | 0,88 | 0,82 | 0,78 | |
| | 20 | 2,67 | 1,99 | 1,64 | 1,41 | 1,25 | 1,13 | 1,04 | 0,96 | 0,89 | 0,84 | 0,79 | 0,75 | |
| | 18 | 2,27 | 1,78 | 1,50 | 1,31 | 1,18 | 1,07 | 0,98 | 0,91 | 0,85 | 0,80 | 0,75 | 0,72 | |
| | 15 | 1,87 | 1,54 | 1,33 | 1,19 | 1,07 | 0,98 | 0,91 | 0,85 | 0,80 | 0,75 | 0,71 | 0,67 | |
| 80 | 26 | | 3,45 | 2,44 | 1,97 | 1,68 | 1,47 | 1,32 | 1,20 | 1,11 | 1,03 | 0,96 | | |
| | 24 | 5,38 | 2,83 | 2,15 | 1,78 | 1,54 | 1,37 | 1,24 | 1,13 | 1,05 | 0,97 | 0,91 | | |
| | 22 | 3,61 | 2,42 | 1,93 | 1,63 | 1,43 | 1,28 | 1,16 | 1,07 | 0,99 | 0,93 | 0,87 | | |
| | 20 | 2,87 | 2,13 | 1,75 | 1,50 | 1,33 | 1,20 | 1,10 | 1,01 | 0,94 | 0,88 | 0,83 | | |
| | 18 | 2,42 | 1,90 | 1,60 | 1,39 | 1,24 | 1,13 | 1,04 | 0,96 | 0,90 | 0,84 | 0,79 | | |
| | 15 | 1,99 | 1,64 | 1,41 | 1,25 | 1,13 | 1,04 | 0,96 | 0,89 | 0,84 | 0,79 | 0,75 | | |
| 75 | 26 | | 3,77 | 2,64 | 2,12 | 1,80 | 1,58 | 1,42 | 1,29 | 1,18 | 1,10 | | | |
| | 24 | 5,90 | 3,07 | 2,32 | 1,92 | 1,66 | 1,47 | 1,32 | 1,21 | 1,12 | 1,04 | | | |
| | 22 | 3,92 | 2,61 | 2,07 | 1,75 | 1,53 | 1,37 | 1,24 | 1,14 | 1,05 | 0,98 | | | |
| | 20 | 3,10 | 2,28 | 1,87 | 1,61 | 1,42 | 1,28 | 1,17 | 1,08 | 1,00 | 0,94 | | | |
| | 18 | 2,61 | 2,03 | 1,70 | 1,48 | 1,32 | 1,20 | 1,10 | 1,02 | 0,95 | 0,89 | | | |
| | 15 | 2,13 | 1,75 | 1,50 | 1,33 | 1,20 | 1,10 | 1,01 | 0,94 | 0,88 | 0,83 | | | |
| 70 | 26 | | 4,15 | 2,89 | 2,31 | 1,95 | 1,71 | 1,53 | 1,39 | 1,27 | | | | |
| | 24 | 6,54 | 3,36 | 2,52 | 2,08 | 1,79 | 1,58 | 1,42 | 1,30 | 1,19 | | | | |
| | 22 | 4,30 | 2,84 | 2,24 | 1,89 | 1,64 | 1,47 | 1,33 | 1,22 | 1,13 | | | | |
| | 20 | 3,38 | 2,47 | 2,02 | 1,73 | 1,52 | 1,37 | 1,25 | 1,15 | 1,07 | | | | |
| | 18 | 2,82 | 2,19 | 1,83 | 1,59 | 1,42 | 1,28 | 1,17 | 1,08 | 1,01 | | | | |
| | 15 | 2,28 | 1,87 | 1,61 | 1,42 | 1,28 | 1,17 | 1,08 | 1,00 | 0,94 | | | | |
| 65 | 26 | | 4,61 | 3,18 | 2,53 | 2,13 | 1,86 | 1,66 | 1,50 | | | | | |
| | 24 | 7,33 | 3,70 | 2,76 | 2,27 | 1,94 | 1,71 | 1,54 | 1,40 | | | | | |
| | 22 | 4,75 | 3,11 | 2,44 | 2,05 | 1,78 | 1,59 | 1,43 | 1,31 | | | | | |
| | 20 | 3,70 | 2,69 | 2,19 | 1,87 | 1,64 | 1,47 | 1,34 | 1,23 | | | | | |
| | 18 | 3,07 | 2,37 | 1,98 | 1,71 | 1,52 | 1,37 | 1,26 | 1,16 | | | | | |
| | 15 | 2,47 | 2,02 | 1,73 | 1,52 | 1,37 | 1,25 | 1,15 | 1,07 | | | | | |
| 60 | 26 | | 5,20 | 3,55 | 2,80 | 2,36 | 2,05 | 1,82 | | | | | | |
| | 24 | 8,32 | 4,13 | 3,06 | 2,50 | 2,13 | 1,87 | 1,68 | | | | | | |
| | 22 | 5,32 | 3,44 | 2,69 | 2,24 | 1,94 | 1,73 | 1,56 | | | | | | |
| | 20 | 4,10 | 2,96 | 2,39 | 2,03 | 1,78 | 1,60 | 1,45 | | | | | | |
| | 18 | 3,38 | 2,59 | 2,15 | 1,86 | 1,65 | 1,48 | 1,36 | | | | | | |
| | 15 | 2,69 | 2,19 | 1,87 | 1,64 | 1,47 | 1,34 | 1,23 | | | | | | |
| 55 | 26 | | 5,96 | 4,02 | 3,15 | 2,64 | 2,28 | | | | | | | |
| | 24 | 9,62 | 4,67 | 3,43 | 2,78 | 2,37 | 2,07 | | | | | | | |
| | 22 | 6,03 | 3,86 | 2,99 | 2,48 | 2,15 | 1,90 | | | | | | | |
| | 20 | 4,60 | 3,29 | 2,64 | 2,24 | 1,96 | 1,75 | | | | | | | |
| | 18 | 3,75 | 2,86 | 2,36 | 2,03 | 1,80 | 1,62 | | | | | | | |
| | 15 | 2,96 | 2,39 | 2,03 | 1,78 | 1,60 | 1,45 | | | | | | | |
| 50 | 26 | | 6,99 | 4,64 | 3,61 | 3,00 | | | | | | | | |
| | 24 | 11,38 | 5,39 | 3,92 | 3,15 | 2,67 | | | | | | | | |
| | 22 | 6,97 | 4,39 | 3,38 | 2,79 | 2,40 | | | | | | | | |
| | 20 | 5,23 | 3,70 | 2,96 | 2,50 | 2,17 | | | | | | | | |
| | 18 | 4,22 | 3,20 | 2,63 | 2,25 | 1,98 | | | | | | | | |
| | 15 | 3,29 | 2,64 | 2,24 | 1,96 | 1,75 | | | | | | | | |
| 45 | 26 | | 8,48 | 5,52 | 4,25 | | | | | | | | | |
| | 24 | 13,93 | 6,38 | 4,58 | 3,66 | | | | | | | | | |
| | 22 | 8,26 | 5,11 | 3,89 | 3,19 | | | | | | | | | |
| | 20 | 6,08 | 4,25 | 3,37 | 2,83 | | | | | | | | | |
| | 18 | 4,84 | 3,63 | 2,96 | 2,53 | | | | | | | | | |
| | 15 | 3,70 | 2,96 | 2,50 | 2,17 | | | | | | | | | |
| 40 | 26 | | 10,81 | 6,87 | | | | | | | | | | |
| | 24 | 17,93 | 7,87 | 5,54 | | | | | | | | | | |
| | 22 | 10,17 | 6,14 | 4,62 | | | | | | | | | | |
| | 20 | 7,28 | 5,01 | 3,93 | | | | | | | | | | |
| | 18 | 5,68 | 4,21 | 3,41 | | | | | | | | | | |
| | 15 | 4,25 | 3,37 | 2,83 | | | | | | | | | | |
| 35 | 26 | | 15,13 | | | | | | | | | | | |
| | 24 | 25,15 | 10,36 | | | | | | | | | | | |
| | 22 | 13,27 | 7,77 | | | | | | | | | | | |
| | 20 | 9,12 | 6,14 | | | | | | | | | | | |
| | 18 | 6,91 | 5,04 | | | | | | | | | | | |
| | 15 | 5,01 | 3,93 | | | | | | | | | | | |

ATTENTION:

The correction factors are merely an indication, as they were determined using an average n-coefficient of 1,3.

Example:

A 1000 watt radiator is needed for 80/60/22°C. The corresponding heat output at 75/65/20 needs to be determined. Then a radiator dimension can be selected.

Follow the steps below:

1. Select the correction factor corresponding to inlet temperature 80°C, outlet temperature 60°C and room temperature 22°C.
2. Multiply the requested heat output at 80/60/22°C with the correction factor: $1000 \times 1,07 = 1070 \text{ W}$.
This results is the heat output that the required radiator will have at 75/65/20°C.
3. Select a 1070 watt radiator in the heat output tables. This radiator will give 1000 W at 80/60/22°C.

HOW TO COMPOSE YOUR ARTICLE NUMBER ?

Our article numbers have a logical pattern and can therefore be composed easily.

ATTENTION: The article number must be based on available radiator sizes.
Please consult the output tables of each product first.

FOR PANEL RADIATORS

An article number is composed using the elements below in the indicated order and without blancs:

Group code (4 digits)
+ height (2 digits)
+ type (2 digits)
+ length (2 digits)
In short: group code + HH + TT+ LL

Example:

Planar Style ECO, height 600, type 21, length 1.000
Composed article number: 0451062110

Left handed versions:

| | | |
|------------------|--------|------------------|
| Novello | T11 | group code: 0224 |
| Novello ECO | T11 | group code: 0293 |
| | T21-33 | group code: 0294 |
| Hygiene ECO | T10 | group code: 0693 |
| | T20-30 | group code: 0690 |
| Planar 8 | T11-33 | group code: 0650 |
| Planar | T11-33 | group code: 0244 |
| Planar ECO | T11-33 | group code: 0442 |
| Planar Style ECO | T11-33 | group code: 0452 |

| Description | Group code | Height | HH | Type | TT | Length | LL |
|---------------------------|-------------|--------|----|------|-----|--------|-----|
| ACCORD ALL IN | 0601 | 200 | 02 | 10 | 10 | 400 | 04 |
| COMPACT ALL IN | 0214 | 300 | 03 | 11 | 11 | 410 | |
| COMPACT PLANAR | 0216 | 400 | 04 | 20 | 20 | 470 | |
| COMPACT STYLE | 0453 | 500 | 05 | 21 | 21 | 500 | 05 |
| COMPACT VENTO | 0110 | 545 | | 22 | 22 | 510 | |
| (HYGIENE) ECO GALVA | 0695 | 550 | 30 | 30 | 570 | 06 | |
| GALVA | 0107 | 600 | 06 | 33 | 33 | | 600 |
| HYGIENE | 0204 | 645 | 07 | 44 | 44 | | 610 |
| HYGIENE ECO - T10 | 0691 | 700 | 09 | | | 670 | 07 |
| HYGIENE ECO - T20-30 | 0692 | 900 | 16 | | | 700 | |
| HYGIENE GALVA | 0108 | 950 | 20 | | | 800 | |
| HYGIENE PLANAR 8 - T10 | 0658 | 1600 | 18 | | | 800 | 08 |
| HYGIENE PLANAR 8 - T20-30 | 0659 | 1800 | 20 | | | 900 | |
| NOVELLO ECO - T11 | 0291 | 1820 | 22 | | | 1000 | |
| NOVELLO ECO - T21-33 | 0292 | 1840 | | | | 1070 | |
| NOVELLO PLINTH | 0168 | 2000 | | | | 1200 | 12 |
| NOVELLO 8 - T11 | 0661 | 2020 | | | | 1270 | |
| NOVELLO 8 - T21-33 | 0662 | 2040 | | | | 1400 | |
| NOVELLO - T11 | 0223 | 2200 | | | | 1470 | |
| NOVELLO - T21-33 | 0221 | | | | | 1600 | 16 |
| PLANAR 8 - T11 | 0651 | | | | | 1670 | |
| PLANAR 8 - T21-33 | 0652 | | | | | 1800 | |
| PLANAR | 0243 | | | | | 1870 | |
| PLANAR ECO | 0541 | | | | | 2000 | 20 |
| PLANAR PLINTH | 0148 | | | | | 2070 | |
| PLANAR PLINTH D | 0149 | | | | | 2200 | |
| PLANAR SLIM ECO | 0440 | | | | | 2400 | |
| PLANAR STYLE 8 - T11 | 0653 | | | | | 2600 | 26 |
| PLANAR STYLE 8 - T21-33 | 0654 | | | | | 2800 | |
| PLANAR STYLE ECO | 0451 | | | | | 3000 | |
| PLANAR STYLE PLINTH | 0251 | | | | | | |
| PLANAR STYLE PLINTH D | 0252 | | | | | | |
| PLANAR VENTO | 0240 | | | | | | |
| RENO | 0219 | | | | | | |
| RENO PLANAR | 0444 | | | | | | |
| VERTEX | 0274 | | | | | | |
| VERTEX E | 0274A | | | | | | |
| VERTICAL GALVA | 0674 | | | | | | |
| VERTEX PLAN | 0275 | | | | | | |
| VERTEX PLAN E | 0275A | | | | | | |
| VERTEX SLIM | 0279 | | | | | | |
| VERTEX STYLE | 0276 | | | | | | |
| VERTEX TANGO | 0277 | | | | | | |

FOR DESIGN RADIATORS

An article number is composed using the elements below in the indicated order and without blancs:

Group code (4 digits)
+ height (4 digits)
+ type (2 digits)
+ length (4 digits)
In short: group code + HHHH + TT+ LLLL

Examples:

Gilia Double, height 1495, type "02", length 500
Composed article number: 70011495020500

Column, height 2500, type "2", length 440
Composed article number: 70062500020440

| Type | Description | Group code | Height | HHHH | TT | Length | LLLL |
|--------|---------------------|-------------|--------|------|----|--------|------|
| Single | ALMADA | 7004 | 1186 | 1186 | 01 | 408 | 0408 |
| | GILIA SINGLE | 7001 | 1199 | 1199 | 02 | 450 | 0450 |
| | HORTA VERTICAL | 7505 | 1495 | 1495 | | 500 | 0500 |
| Double | GILIA DOUBLE | 7001 | 1511 | 1511 | | 538 | 0538 |
| | | | 1600 | 1600 | | 600 | 0600 |
| | | | 1771 | 1771 | | 668 | 0668 |
| | | | 1791 | 1791 | | 750 | 0750 |
| | | | 1800 | 1800 | | 798 | 0798 |
| | | | 2000 | 2000 | | 900 | 0900 |
| | | | 2013 | 2013 | | | |
| | | | | | | | |

| Description | Group code | Height | HHHH | Columns | Type | Length | LLLL |
|---------------|-------------|--------|------|---------|------|--------|------|
| COLUMN | 7006 | 300 | 0300 | 2 | 02 | 348 | 0348 |
| | | 500 | 0500 | 3 | 03 | 440 | 0440 |
| | | 600 | 0600 | 4 | 04 | 624 | 0624 |
| | | 750 | 0750 | | | 854 | 0854 |
| | | 1800 | 1800 | | | 1038 | 1038 |
| | | 2000 | 2000 | | | 1268 | 1268 |
| | | 2500 | 2500 | | | 1452 | 1452 |
| | | | | | | 1866 | 1866 |

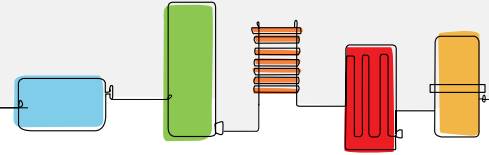
EXCEPTIONS

For the following radiators the above rules cannot be applied, please consult the labels on the product pages:

Dahlia E-VENTO (page 136, group code: 0184B), Dahlia E (page 137, 0184A = without power plug, 0184C = with power plug), Dahlia (page 138, 0184) and Valeriana (page 139, 0185). Vertex Swing (0278): please consult a pricelist.

Colour *your warmth*

Stelrad is delighted to introduce you to our *palette of warm colours*. A shade for every room, for *every interior*. Opt for warm elegance, the baroque ambience or modern minimalism; with Stelrad, you can heat your home in *colour*.



COLOURS OF NATURE

| | | | | | | |
|------------------------|----------------------|--------------------|----------------|----------------------|----------------------|---------------------|
| | | | | | | |
| NT110 Papyrus white | NT120 Pearl white | NT130 Champagne | NT140 Beige | NT160 Pebble grey | NT170 Quartz grey | NT180 Soft black |

How do I order a colored radiator based on the selected Stelrad color palette?

Firstly, the radiator's item number then the item number of the colour + description.
e.g. 0274202206 SN170 Black

METALLIC COLOURS

| | | | | | | |
|--------------------|------------------------|--------------------|------------------|---------------------|----------------------|-------------------------|
| | | | | | | |
| ML110 Dove grey | ML120 Titanium grey | ML134 Blue grey | ML140 Granite | ML150 Cappuccino | ML160 Terra brown | ML170 Graphite black |

COLOURS FOR SANITARY WARES

| | | | | | | |
|----------------------|----------------|----------------|-------------------|----------------|--------------------|----------------|
| | | | | | | |
| SN110 Cream white | SN120 Cream | SN130 Mocca | SN140 Bordeaux | SN150 Sepia | SN160 Pale blue | SN170 Black |

RAL COLOURS

| | | | | | | |
|--------------------------|------------------------|----------------------|---------------------------|-----------------------|----------------------|---------------------|
| | | | | | | |
| A1004 Golden yellow | A2003 Pastel orange | A3002 Carmine red | A5002 Ultramarine blue | A6018 Yellow green | A7001 Silver grey | A7011 Iron grey |
| | | | | | | |
| A7016 Anthracite grey | A7030 Stone grey | A7035 Light grey | A8017 Chocolate brown | A9003 Signal white | A9005 Jet black | A9010 Pure white |

The colours are illustrative only.

In addition to our 3.5 trendy, very popular and carefully selected colours, we now offer many more RAL colours.*

Shades of yellow

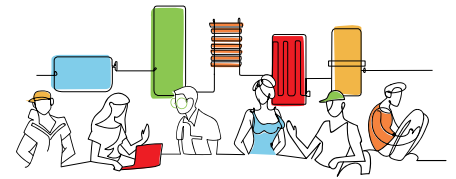
| | | | | | |
|----------|-------|----------|-------|----------|-------|
| RAL 1000 | E1000 | RAL 1007 | E1007 | RAL 1018 | E1018 |
| RAL 1001 | E1001 | RAL 1012 | E1012 | RAL 1019 | E1019 |
| RAL 1002 | E1002 | RAL 1014 | E1014 | RAL 1021 | E1021 |
| RAL 1003 | E1003 | RAL 1015 | E1015 | RAL 1023 | E1023 |
| RAL 1005 | E1005 | RAL 1016 | E1016 | | |
| RAL 1006 | E1006 | RAL 1017 | E1017 | | |

Shades of orange

| | | | | | |
|----------|-------|----------|-------|----------|-------|
| RAL 1034 | E1034 | RAL 2002 | E2002 | RAL 2004 | E2004 |
| RAL 2008 | E2008 | RAL 2009 | E2009 | RAL 2010 | E2010 |
| RAL 2011 | E2011 | | | | |

Shades of red

| | | | |
|----------|-------|----------|-------|
| RAL 3000 | E3000 | RAL 3011 | E3011 |
| RAL 3001 | E3001 | RAL 3013 | E3013 |
| RAL 3004 | E3004 | RAL 3016 | E3016 |
| RAL 3005 | E3005 | RAL 3020 | E3020 |
| RAL 3007 | E3007 | RAL 3027 | E3027 |
| RAL 3009 | E3009 | | |



How to order a colored radiator based on the multitude of RAL colors?

First enter the article number of the radiator, then complete with the colour code.

*2 gloss level variations available (Gloss degree according to ISO2813):

Gloss level = 70% ± 5% (Code "E") :
e.g. 0274202206 E10000

Gloss level = 30% ± 5% (Code "F") :
e.g. 0274202206 F1000

Shades of blue

| | | | |
|----------|-------|----------|-------|
| RAL 5000 | E5000 | RAL 5014 | E5014 |
| RAL 5003 | E5003 | RAL 5015 | E5015 |
| RAL 5004 | E5004 | RAL 5017 | E5017 |
| RAL 5005 | E5005 | RAL 5018 | E5018 |
| RAL 5007 | E5007 | RAL 5019 | E5019 |
| RAL 5008 | E5008 | RAL 5020 | E5020 |
| RAL 5009 | E5009 | RAL 5021 | E5021 |
| RAL 5010 | E5010 | RAL 5022 | E5022 |
| RAL 5011 | E5011 | RAL 5023 | E5023 |
| RAL 5012 | E5012 | RAL 5024 | E5024 |
| RAL 5013 | E5013 | | |

Shades of green

| | | | | | | | |
|----------|-------|----------|-------|----------|-------|----------|-------|
| RAL 6000 | E6000 | RAL 6008 | E6008 | RAL 6016 | E6016 | RAL 6026 | E6026 |
| RAL 6001 | E6001 | RAL 6009 | E6009 | RAL 6017 | E6017 | RAL 6027 | E6027 |
| RAL 6002 | E6002 | RAL 6010 | E6010 | RAL 6019 | E6019 | RAL 6028 | E6028 |
| RAL 6003 | E6003 | RAL 6011 | E6011 | RAL 6020 | E6020 | RAL 6029 | E6029 |
| RAL 6004 | E6004 | RAL 6012 | E6012 | RAL 6021 | E6021 | RAL 6032 | E6032 |
| RAL 6005 | E6005 | RAL 6013 | E6013 | RAL 6022 | E6022 | RAL 6033 | E6033 |
| RAL 6006 | E6006 | RAL 6014 | E6014 | RAL 6024 | E6024 | RAL 6034 | E6034 |
| RAL 6007 | E6007 | RAL 6015 | E6015 | RAL 6025 | E6025 | | |

Shades of grey

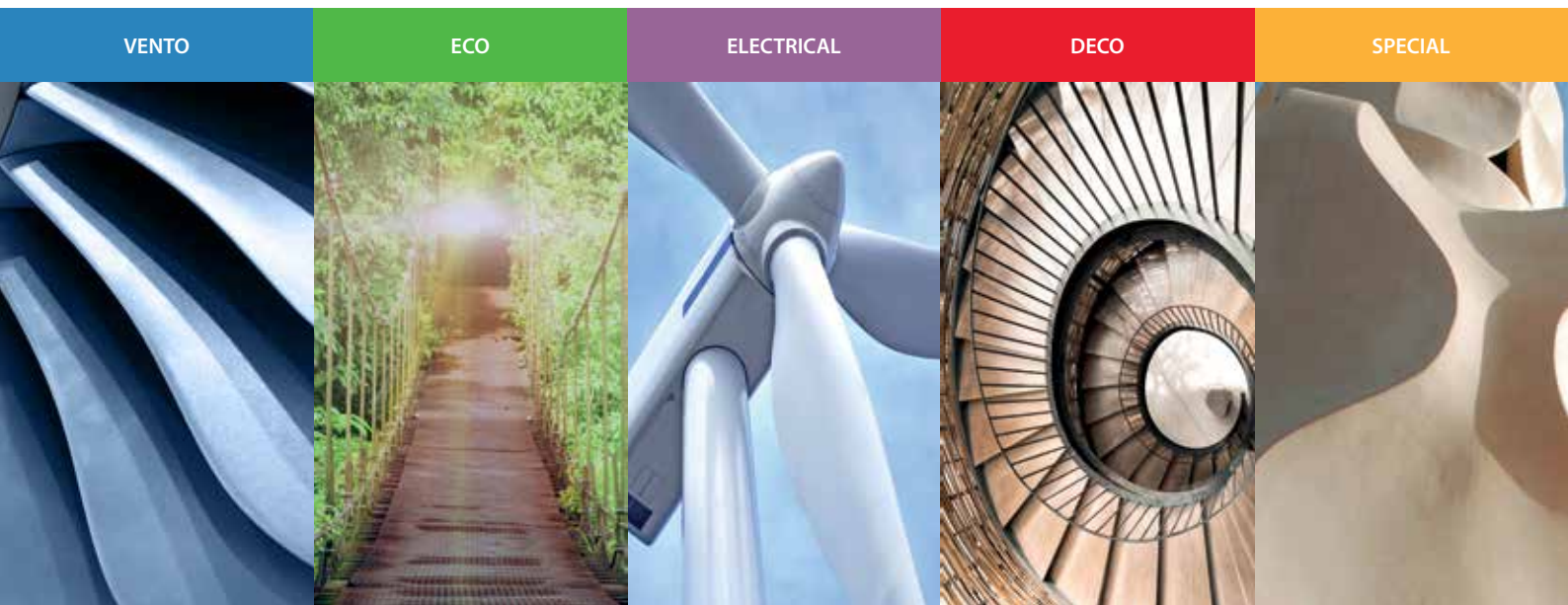
| | | | |
|----------|-------|----------|-------|
| RAL 7000 | E7000 | RAL 7015 | E7015 |
| RAL 7002 | E7002 | RAL 7021 | E7021 |
| RAL 7003 | E7003 | RAL 7022 | E7022 |
| RAL 7004 | E7004 | RAL 7023 | E7023 |
| RAL 7005 | E7005 | RAL 7024 | E7024 |
| RAL 7006 | E7006 | RAL 7026 | E7026 |
| RAL 7008 | E7008 | RAL 7031 | E7031 |
| RAL 7009 | E7009 | RAL 7032 | E7032 |
| RAL 7010 | E7010 | RAL 7033 | E7033 |
| RAL 7012 | E7012 | RAL 7034 | E7034 |
| RAL 7013 | E7013 | RAL 7036 | E7036 |

Shades of brown

| | | | | | |
|----------|-------|----------|-------|----------|-------|
| RAL 8001 | E8001 | RAL 8002 | E8002 | RAL 8003 | E8003 |
| RAL 8004 | E8004 | RAL 8007 | E8007 | RAL 8008 | E8008 |
| RAL 8011 | E8011 | RAL 8012 | E8012 | RAL 8014 | E8014 |
| RAL 8015 | E8015 | | | | |

Shades of black and white

| | | | |
|----------|-------|----------|-------|
| RAL 8016 | E8016 | RAL 9001 | E9001 |
| RAL 8019 | E8019 | RAL 9002 | E9002 |
| RAL 8022 | E8022 | RAL 9004 | E9004 |
| RAL 8023 | E8023 | RAL 9011 | E9011 |
| RAL 8025 | E8025 | RAL 9017 | E9017 |
| RAL 8028 | E8028 | RAL 9018 | E9018 |



VENTO

ECO

ELECTRICAL

DECO

SPECIAL

Austria • Belarus • Belgium • Cyprus • Czech Republic • Estonia • France • Germany • Greece • Ireland
Lithuania • Luxemburg • Poland • Portugal • Spain • The Netherlands • Tunisia • Ukraine • United Kingdom

THE NETHERLANDS

Caradon Stelrad B.V. | Kathagen 30 | 6361 HG Nuth
T. +31 455 65 62 62

WWW.STELRAD.EU

