

## Maintenance and cleaning of Stelrad radiators: highly recommended

In addition to a proper installation of Stelrad radiators, regular maintenance and cleaning contribute to a long service life. We have listed a number of tips to help you carry out maintenance and cleaning and to extend the life of your radiator.

### Tip 1

If you hear tapping or gurgling noises, it's best to bleed your radiators. Ideally, this should be done every year at the start of the heating season.

### Tip 2

Have a thorough maintenance carried out on the heating installation at least once a year and have its functionality checked.

### Tip 3

In order for a radiator to function optimally, it is wise to regularly clean between the heating elements.

Clean radiators not only look nicer, they are also more energy efficient, because dust particles reduce the efficiency of heat emission. Dust can be removed with our flexible radiator brush. You can easily clean your radiators by gently moving our radiator brush up and down through the openings in the top grille.



Radiator brush  
Article number: T1131

### Tip 4

For an even more thorough cleaning of Stelrad radiators **with lugs**, the side panels and the top grille can be removed and refitted in accordance with the diagrams below.

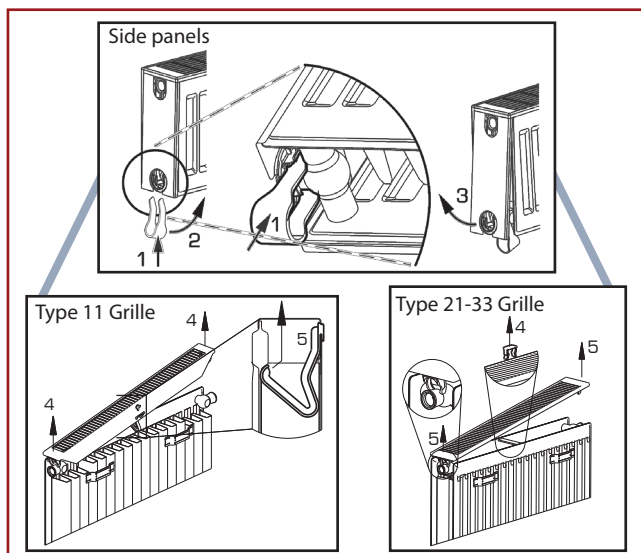


Side panel key  
Article number: T1105

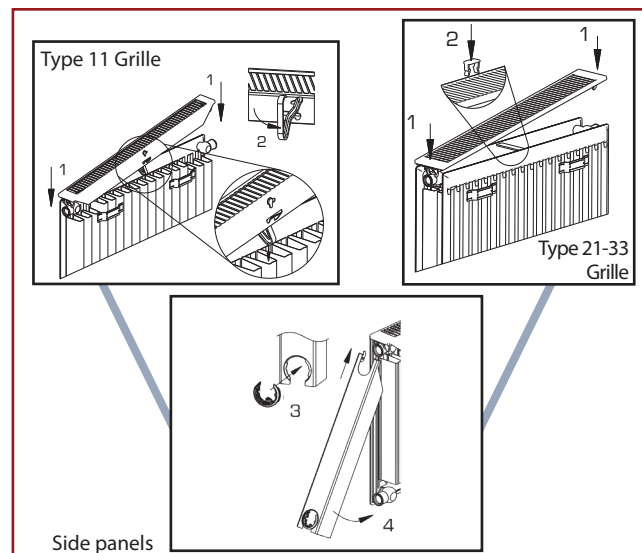
## Disassembly and assembly of grilles and side panels

Planar VENTO · Compact VENTO · Novello ECO (Type 11) · Planar ECO (Type 11) · Planar Style ECO (Type 11) · Planar · Compact Planar · Compact Style · Planar Plinth · Planar Style Plinth · Planar Plinth D · Planar Style Plinth D · Novello Plinth · Reno Planar · Reno · Compact All In

### Disassembly



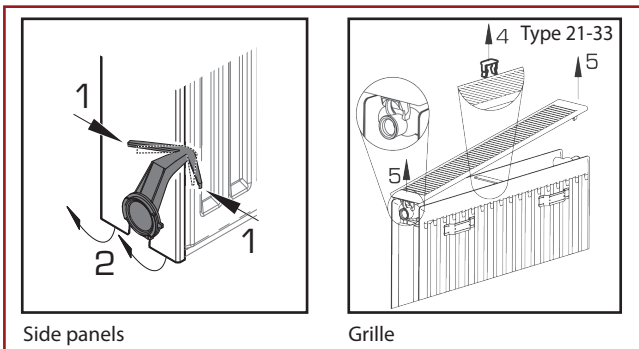
### Assembly



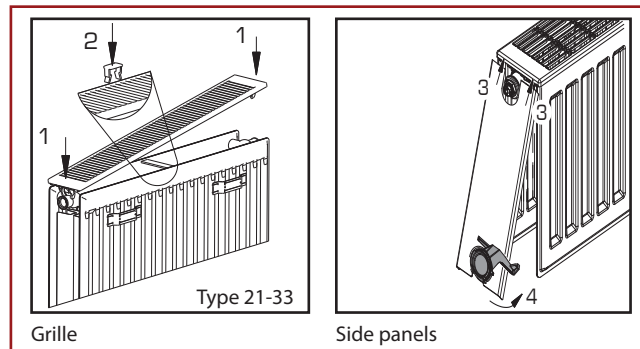
## Disassembly and assembly of grilles and side panels

Novello ECO (Type 21/22/33) · Planar ECO (Type 21/22/33) · Planar Style ECO (Type 21/22/33)

### Disassembly



### Assembly



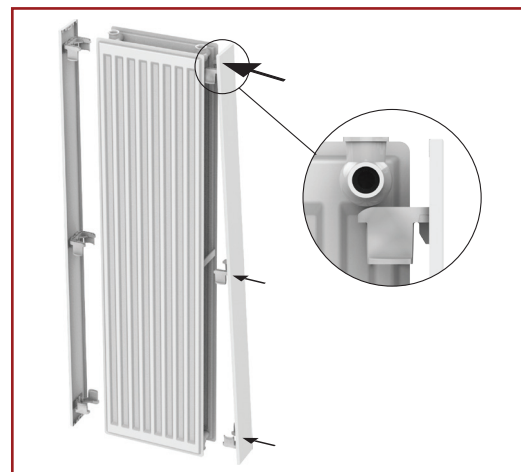
## Disassembly and assembly of side panels

Vertex Plan · Vertex Style · Vertical Galva · Vertex

### Disassembly



### Assembly



### Tip 5

If the paint on the radiators is dirty, clean it with a damp microfiber cloth.

ATTENTION: do not use solvents, acids or other corrosive substances to clean the radiator. These can seriously damage the paint, causing dull spots or rust formation.



### Tip 6

If the paint has minor damage, these can be repaired with our matching paint pen or paint spray (for larger surfaces).



Paint spray  
(150 ml)  
Article number:  
T1110



Paint pen (12 ml)  
Article number:  
T1114 Stelrad White  
T1116 coloured

The General Terms and Conditions of Sale apply to all our products.

Consult your installer if you have specific questions or if you want to order our special cleaning products.

**Stelrad bv**

Kathagen 36 | 6361 HG Nuth | Netherlands

[www.stelrad.eu](http://www.stelrad.eu)